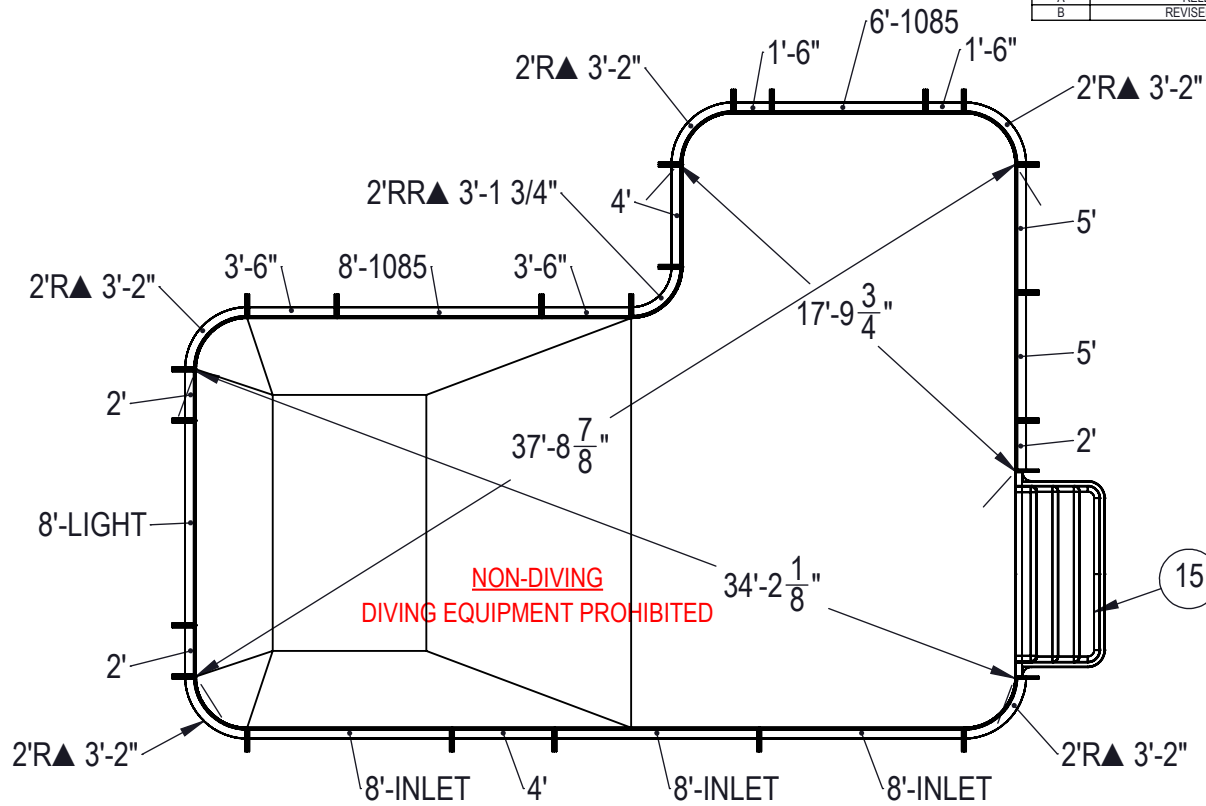


REVISION HISTORY				
REV.	DESCRIPTION	DATE	ECO	BY
A	RELEASED FOR QUOTE	1/7/2019		RMILLER
B	REVISED PER TICKET# 280052	3/26/2019		JRITTENHOUSE



**NOTES:**

- THESE ARE FINISHED DIMENSIONS READY FOR THE LINER.
- DIMENSIONS ARE FROM INSIDE POOL PANELS.
- ROPE AND FLOAT ASSEMBLY SHOULD BE INSTALLED IN ACCORDANCE WITH CURRENT ANSI/ASPS/ICC REGULATIONS
- HYDRA LINER TRACK FOR STEPS IS INSTALLED WITH THE BARB FACING THE RISER WALL ON THE STEP.

**EXCAVATION NOTES:**

- ROUGH EXCAVATION SHOULD BE 2" DEEPER IN EACH INSTANCE.
- SOIL TO HAVE MINIMUM BEARING CAPACITY OF 1500 PSF.
- LOCATE TOP OF POOL AT LEAST 6" ABOVE THE SURROUNDING LAND ELEVATION.
- SEE "OVER DIG DETAIL" FOR EXCAVATION AROUND POOL.
- FILL VOIDS UNDER BASE OF PANELS AND TAMP WELL.
- BACK FILL WITH NON-EXPANSIVE MATERIAL.
- FOLLOW ALL CURRENT ANSI / APSP / ICC GUIDELINES FOR RESIDENTIAL POOLS

**IMPORTANT NOTES:**

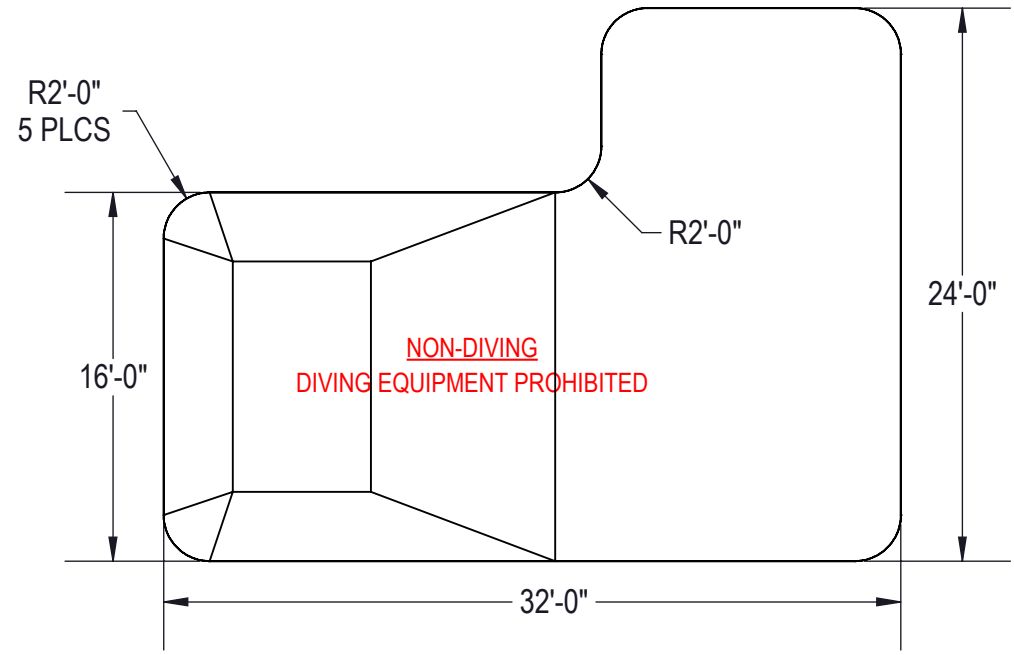
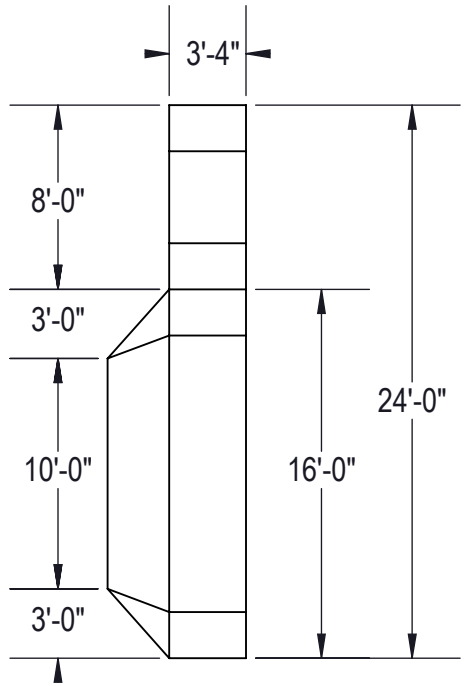
THIS DOCUMENT IS FOR ILLUSTRATIVE PURPOSES ONLY. THE DEALER OR CONTRACTOR WHO SELLS OR INSTALLS YOUR POOL IS AN INDEPENDENT CONTRACTOR AND IS NOT AN AGENT OF THE MANUFACTURER. THE CONSTRUCTION METHODS ILLUSTRATED HERE ARE SUGGESTIONS AND APPLY ONLY TO NORMAL GROUND CONDITIONS. THERE MAY BE ADDITIONAL PRECAUTIONS AND/OR METHODS OF CONSTRUCTION. PROPER INSTALLATION IS THE RESPONSIBILITY OF THE DEALER/BUILDER/CONTRACTOR.

ITEM	FILE NAME	DESCRIPTION	CUSTOMER DRAWING #	VENDOR PART #	QTY.
1	BOLT, PACK	BOLT, FLANGE, 3/8-16 X 1", PACK (50)	HPS1916	HPS1916	10
2	SBRACE	BRACE, FOLD OVER WITH TURNBUCKLE, STEEL, HPSFOB	HPSFOB	HPSFOB	24
3	PANEL, STRAIGHT	PANEL, 1'-6" LONG, 700 SERIES	HPSCS2	00006292	2
4	PANEL, STRAIGHT	PANEL, 2' LONG, 700 SERIES	HPSE102P	00005483	3
5	PANEL, RADIUS	PANEL, 2' RADIUS, 3-2" LONG, 700 SERIES	HPSE2R	00002451	5
6	PANEL, RR	PANEL, 2' REVERSE RADIUS, 3'-1 3/4" LONG, 700 SERIES	HPSE2RR	00005773	1
7	PANEL, STRAIGHT	PANEL, 3'-6" LONG, 700 SERIES	HPSE36P	00002660	2
8	PANEL, STRAIGHT	PANEL, 4' LONG, 700 SERIES	HPSE104P	00002723	2
9	PANEL, STRAIGHT	PANEL, 5' LONG, 700 SERIES	HPSE105P	00002742	2
10	PANEL, STRAIGHT	PANEL, 6' LONG, 1085, 700 SERIES	HPSE10685	00006697	1
11	PANEL, STRAIGHT	PANEL, 8' LONG, 1085, 700 SERIES	HPSE10885	00004967	1
12	PANEL, STRAIGHT	PANEL, 8' LONG, INLET, 700 SERIES	HPSE108I	00004969	3
13	PANEL, STRAIGHT	PANEL, 8' LONG, LIGHT, 700 SERIES	HPSE108L	00004962	1
14	STAKE	STAKE, 14 GA	HPSSTAKE	00003484	24
15	HS108N	STEP, 8' LONG, 4 TREAD	HS108N	HS108N	1

ENGINEERING DRAWING NUMBER: <b>00022361</b>	WEIGHT: 79509554 lbs	<b>UNLESS OTHERWISE SPECIFIED</b> DIMENSIONS ARE IN INCHES TOLERANCES DECIMALS: X ± .1 XX ± .01 XXX ± .001 XXXX ± .0005  ANGULAR: X ± 0.5 THIRD ANGLE PROJECTION
	VOLUME: Inch <sup>3</sup>	
	COLOR:	
	HEAT TREAT:	
	FINISH:	
	TEXTURE:	

DESIGNED BY: <b>RMILLER</b>	CREATION DATE: 3/8/2016
DETAILED BY: <b>JRITTENHOUSE</b>	DETAILED DATE: 1/7/2019
LAST REVISED BY: <b>Jrittenhouse</b>	LAST REVISED DATE: 3/26/2019
MATERIAL:	

<b>ATLAS STEEL</b>	
TITLE: LAYOUT, 16' X 32' X 24', TRUE L, RIGHT, 2' RADIUS, 6' DEEP, HS108N, LIGHT, 3- INLET, 2- 1085, 700 SERIES	
PART NUMBER: <b>00022361</b>	SCALE: 1:128 SHEET: 1 OF 3 SIZE: <b>A</b>



**Area: 612.57ft ^2**  
**Perimeter: 106.85ft**  
**Volume = 18355 US gallons**

**NOTES:**

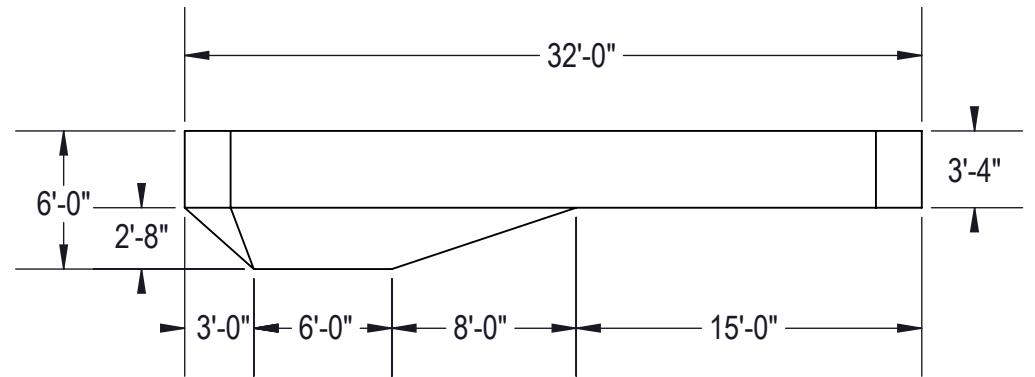
1. THESE ARE FINISHED DIMENSIONS READY FOR THE LINER.
2. DIMENSIONS ARE FROM INSIDE POOL PANELS.
3. ROPE AND FLOAT ASSEMBLY SHOULD BE INSTALLED IN ACCORDANCE WITH CURRENT ANSI/ASPS/ICC REGULATIONS
4. HYDRA LINER TRACK FOR STEPS IS INSTALLED WITH THE BARB FACING THE RISER WALL ON THE STEP.

**EXCAVATION NOTES:**

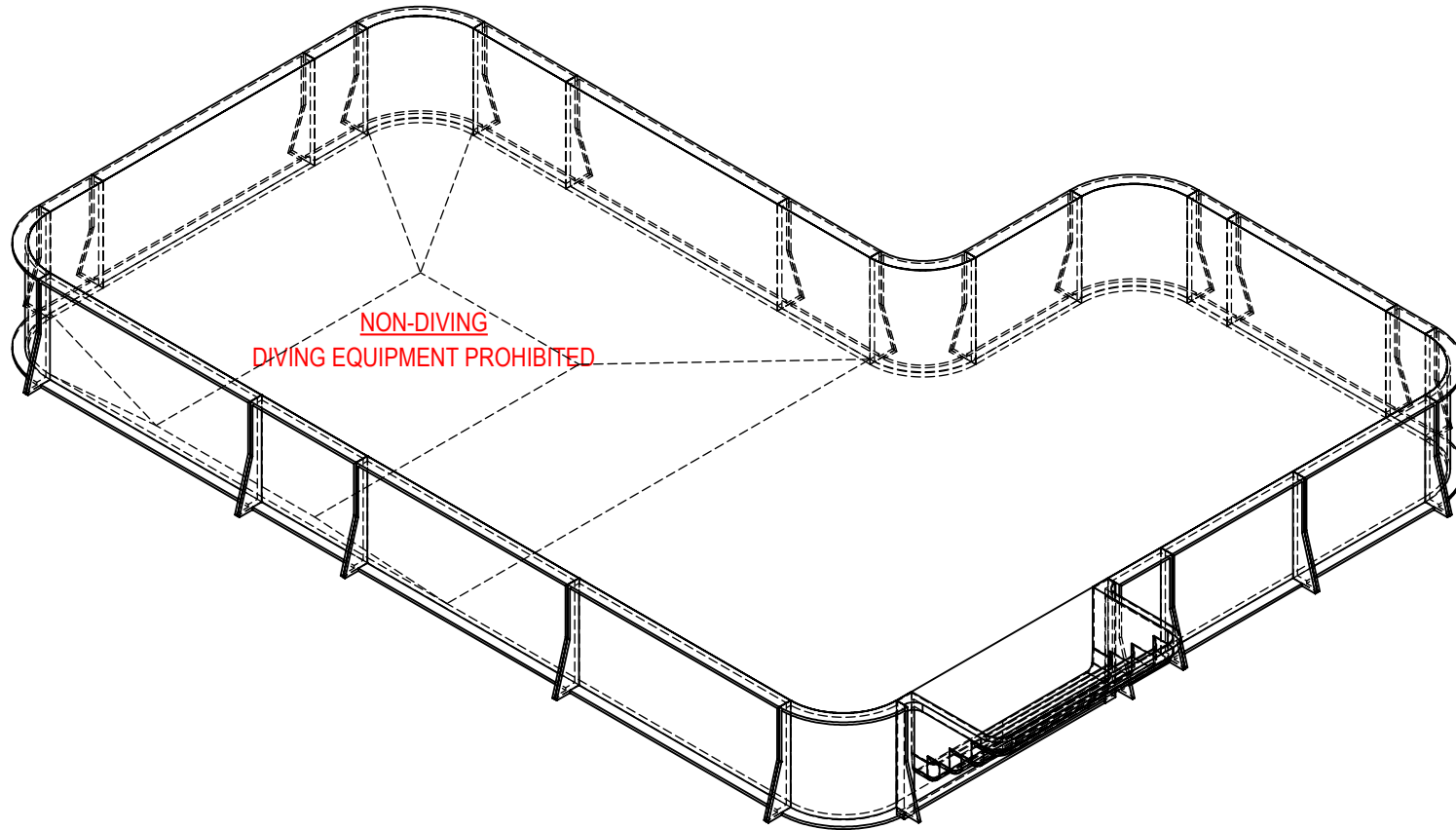
5. ROUGH EXCAVATION SHOULD BE 2" DEEPER IN EACH INSTANCE.
6. SOIL TO HAVE MINIMUM BEARING CAPACITY OF 1500 PSF.
7. LOCATE TOP OF POOL AT LEAST 6" ABOVE THE SURROUNDING LAND ELEVATION.
8. SEE "OVER DIG DETAIL" FOR EXCAVATION AROUND POOL.
9. FILL VOIDS UNDER BASE OF PANELS AND TAMP WELL.
10. BACK FILL WITH NON-EXPANSIVE MATERIAL.
11. FOLLOW ALL CURRENT ANSI / APSP / ICC GUIDELINES FOR RESIDENTIAL POOLS

**IMPORTANT NOTES:**

THIS DOCUMENT IS FOR ILLUSTRATIVE PURPOSES ONLY. THE DEALER OR CONTRACTOR WHO SELLS OR INSTALLS YOUR POOL IS AN INDEPENDENT CONTRACTOR AND IS NOT AN AGENT OF THE MANUFACTURER. THE CONSTRUCTION METHODS ILLUSTRATED HERE ARE SUGGESTIONS AND APPLY ONLY TO NORMAL GROUND CONDITIONS. THERE MAY BE ADDITIONAL PRECAUTIONS AND/OR METHODS OF CONSTRUCTION. PROPER INSTALLATION IS THE RESPONSIBILITY OF THE DEALER/BUILDER/CONTRACTOR.



ENGINEERING DRAWING NUMBER: <b>00022361</b>	WEIGHT: 69480879 lbs	<b>UNLESS OTHERWISE SPECIFIED</b> DIMENSIONS ARE IN INCHES TOLERANCES DECIMALS: X ± .1 XX ± .01 XXX ± .001 XXXX ± .0005  ANGULAR: X ± 0.5 THIRD ANGLE PROJECTION	DESIGNED BY: RMILLER	CREATION DATE: 3/8/2016	<b>ATLAS STEEL</b>
	VOLUME: 69480879475 Inch <sup>3</sup>		DETAILED BY: JRITTENHOUSE	DETAILED DATE: 1/7/2019	
	COLOR: NA		LAST REVISED BY: jrittenhouse	LAST REVISED DATE: 3/26/2019	TITLE: LAYOUT, 16' X 32' X 24', TRUE L, RIGHT, 2' RADIUS, 6' DEEP, HS108N, LIGHT, 3- INLET, 2- 1085, 700 SERIES
	HEAT TREAT: NA		MATERIAL: Water	PART NUMBER: <b>00022361</b>	
FINISH: NA					<b>A</b>
TEXTURE: NA					



ENGINEERING DRAWING NUMBER: <b>00022361</b>	WEIGHT: 79509554 lbs	<b>UNLESS OTHERWISE SPECIFIED</b> DIMENSIONS ARE IN INCHES TOLERANCES DECIMALS: X ± .1 XX ± .01 XXX ± .001 XXXX ± .0005  ANGULAR: X ± 0.5 THIRD ANGLE PROJECTION 	DESIGNED BY: <b>RMILLER</b>	CREATION DATE: 3/8/2016	<b>ATLAS STEEL</b>  TITLE: LAYOUT, 16' X 32' X 24', TRUE L, RIGHT, 2' RADIUS, 6' DEEP, HS108N, LIGHT, 3- INLET, 2- 1085, 700 SERIES	
	VOLUME: Inch <sup>3</sup>		DETAILED BY: <b>JRITTENHOUSE</b>	DETAILED DATE: 1/7/2019		
	COLOR:		LAST REVISED BY: <b>jrittenhouse</b>	LAST REVISED DATE: 3/26/2019		
	HEAT TREAT:		MATERIAL:			
	FINISH:					
	TEXTURE:					
			PART NUMBER:		SCALE: 1:128	SIZE: <b>A</b>
			<b>00022361</b>		SHEET: 3 OF 3	