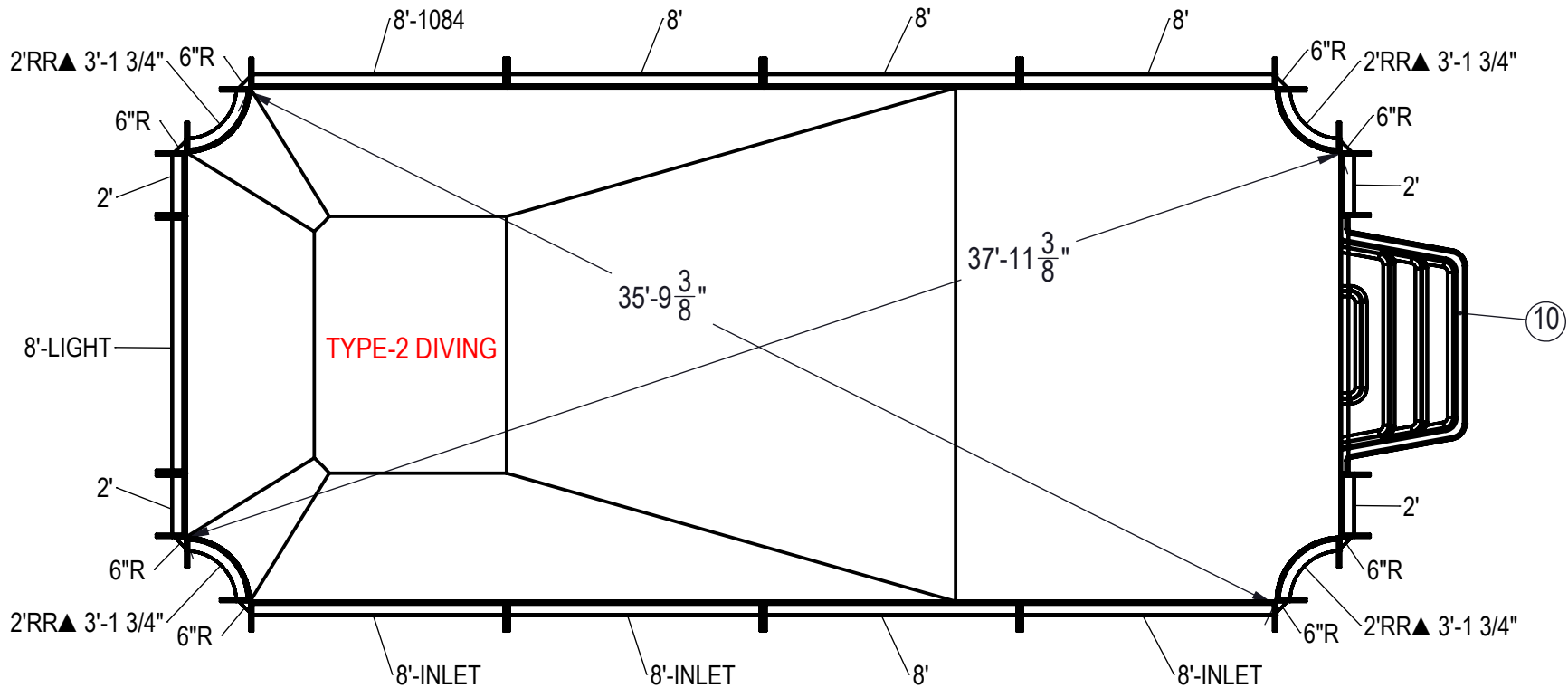


REVISION HISTORY			
REV.	DESCRIPTION	DATE	BY
A	RELEASED FOR QUOTE	2/13/2019	JRITTENHOUSE

MIRROR NUMBER: 00023137
CHECK IN DATE/TIME: Wednesday, February 13, 2019 1:11:17 PM
MADE FROM: 00021222



NOTES:

- THESE ARE FINISHED DIMENSIONS READY FOR THE LINER.
- DIMENSIONS ARE FROM INSIDE POOL PANELS.
- ROPE AND FLOAT ASSEMBLY SHOULD BE INSTALLED IN ACCORDANCE WITH CURRENT ANSI/ASPS/ICC REGULATIONS
- HYDRA LINER TRACK FOR STEPS IS INSTALLED WITH THE BARB FACING THE RISER WALL ON THE STEP.

EXCAVATION NOTES:

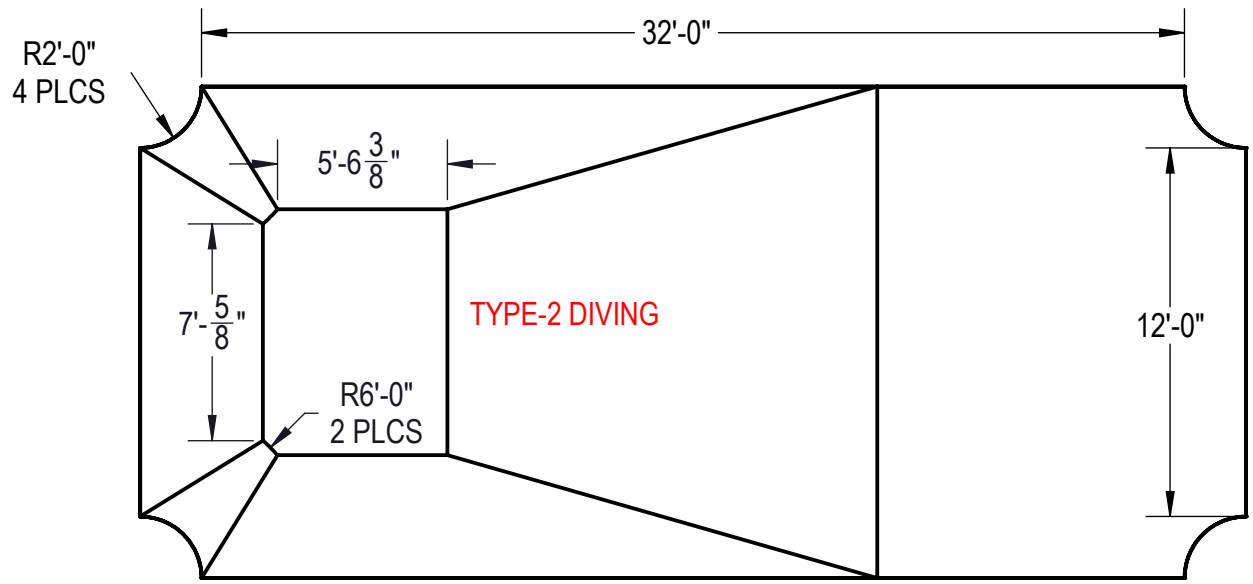
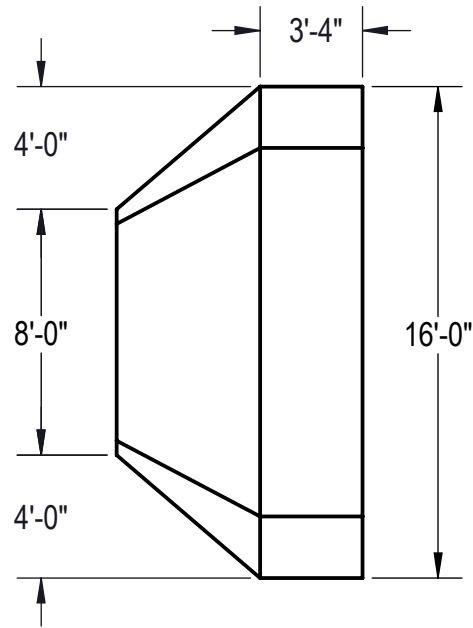
- ROUGH EXCAVATION SHOULD BE 2" DEEPER IN EACH INSTANCE.
- SOIL TO HAVE MINIMUM BEARING CAPACITY OF 1500 PSF.
- LOCATE TOP OF POOL AT LEAST 6" ABOVE THE SURROUNDING LAND ELEVATION.
- SEE "OVER DIG DETAIL" FOR EXCAVATION AROUND POOL.
- FILL VOIDS UNDER BASE OF PANELS AND TAMP WELL.
- BACK FILL WITH NON-EXPANSIVE MATERIAL.
- FOLLOW ALL CURRENT ANSI / APSP / ICC GUIDELINES FOR RESIDENTIAL POOLS

IMPORTANT NOTES:

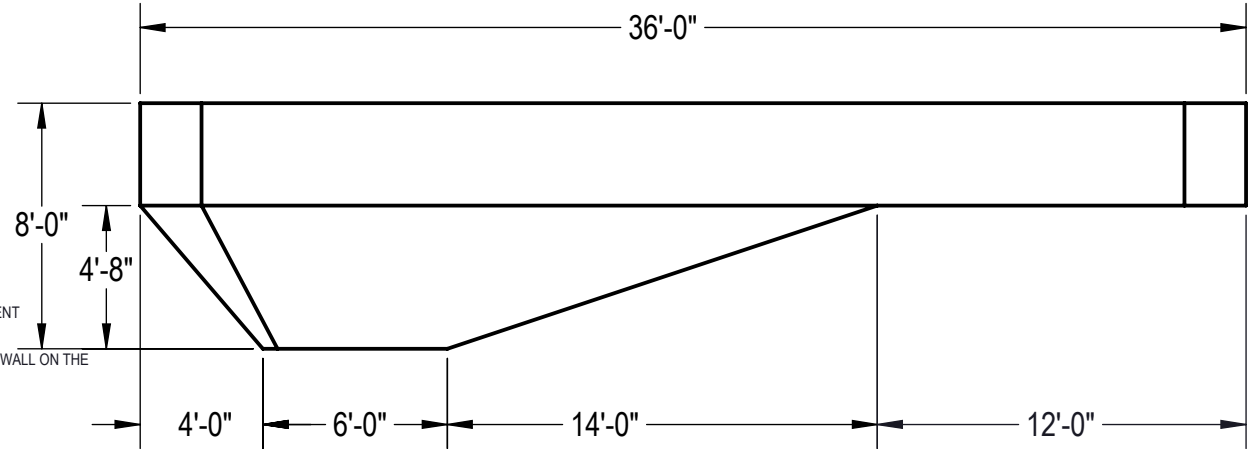
THIS DOCUMENT IS FOR ILLUSTRATIVE PURPOSES ONLY. THE DEALER OR CONTRACTOR WHO SELLS OR INSTALLS YOUR POOL IS AN INDEPENDENT CONTRACTOR AND IS NOT AN AGENT OF THE MANUFACTURER. THE CONSTRUCTION METHODS ILLUSTRATED HERE ARE SUGGESTIONS AND APPLY ONLY TO NORMAL GROUND CONDITIONS. THERE MAY BE ADDITIONAL PRECAUTIONS AND/OR METHODS OF CONSTRUCTION. PROPER INSTALLATION IS THE RESPONSIBILITY OF THE DEALER/BUILDER/CONTRACTOR.

ITEM	FILE NAME	DESCRIPTION	CUSTOMER DRAWING #	VENDOR PART #	QTY.
1	BOLT, PACK	BOLT, FLANGE, 3/8-16 X 1", PACK (50)	HPS1916	HPS1916	10
2	SBRACE	BRACE, FOLD OVER WITH TURNBUCKLE, STEEL, HPSFOB	HPSFOB	HPSFOB	26
3	PANEL, STRAIGHT	PANEL, 2' LONG, 600 SERIES	HPSD102P	00000639	4
4	PANEL, RR	PANEL, 2' REVERSE RADIUS, 3'-1 3/4" LONG, 600 SERIES	HPSD2RR	00000288	4
5	PANEL, STRAIGHT	PANEL, 8' LONG, 1084, 600 SERIES	HPSD10884	00002006	1
6	PANEL, STRAIGHT	PANEL, 8' LONG, 600 SERIES	HPSD108P	00000687	4
7	PANEL, STRAIGHT	PANEL, 8' LONG, INLET, 600 SERIES	HPSD108I	00000699	3
8	PANEL, STRAIGHT	PANEL, 8' LONG, LIGHT, 600 SERIES	HPSD108L	00000701	1
9	STAKE	STAKE, 14 GA	HPSSTAKE	00003484	26
10	HS110N	STEP, 8", TWIN SEAT, 4 TREAD	HS110N	HS110N	1
11	PANEL, WEDGE	WEDGE, 2 1/2" X 2 1/2" X 90°-600-ASSEMBLY	HPSD6CA	00005721	8

ENGINEERING DRAWING NUMBER: 00023137	WEIGHT: 284561.4 lbs	UNLESS OTHERWISE SPECIFIED DIMENSIONS ARE IN INCHES TOLERANCES DECIMALS: X ± .1 XX ± .01 XXX ± .001 XXXX ± .0005 ANGULAR: X ± 0.5 THIRD ANGLE PROJECTION	DESIGNED BY: JRITTENHOUSE	CREATION DATE: 12/11/2014	SAMSON STEEL
	VOLUME: Inch ³		DETAILED BY: JRITTENHOUSE	DETAILED DATE: 2/13/2019	
	COLOR:		LAST REVISED BY: jrittenhouse	LAST REVISED DATE: 2/13/2019	
	HEAT TREAT:		MATERIAL:	TITLE: LAYOUT, 16' X 36', HAMPTON, 2' RADIUS REVERSE, 8' DEEP, HS110N, LIGHT, 3- INLET, 1084, 600 SERIES	
FINISH:					PART NUMBER: 00023137
TEXTURE:					SCALE: 1:96 SHEET: 1 OF 4
					A



Area: 563.43ft ^2
Perimeter: 100.57ft
Volume = 20662 US gallons



NOTES:

1. THESE ARE FINISHED DIMENSIONS READY FOR THE LINER.
2. DIMENSIONS ARE FROM INSIDE POOL PANELS.
3. ROPE AND FLOAT ASSEMBLY SHOULD BE INSTALLED IN ACCORDANCE WITH CURRENT ANSI/ASPS/ICC REGULATIONS
4. HYDRA LINER TRACK FOR STEPS IS INSTALLED WITH THE BARB FACING THE RISER WALL ON THE STEP.

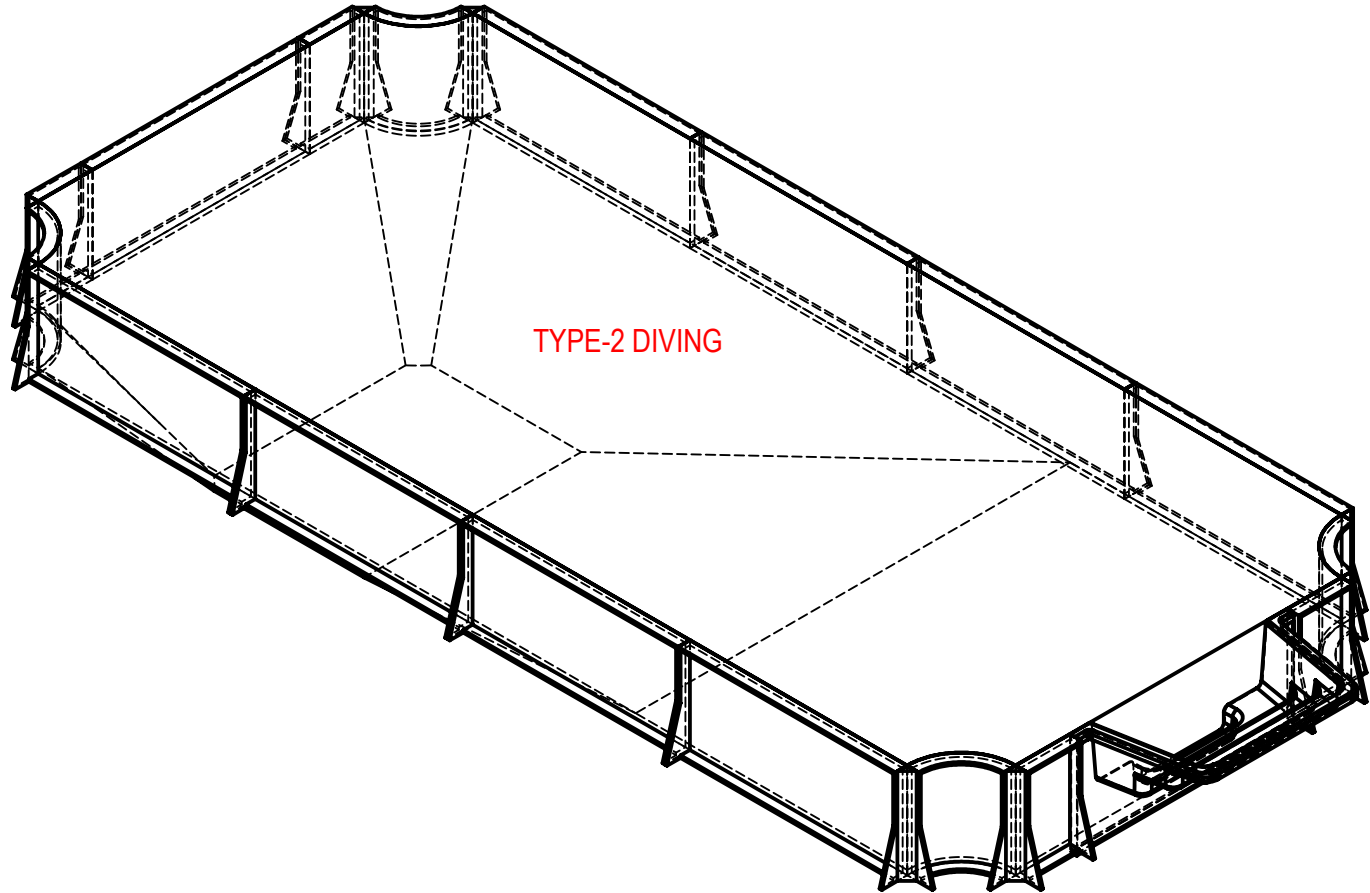
EXCAVATION NOTES:

5. ROUGH EXCAVATION SHOULD BE 2" DEEPER IN EACH INSTANCE.
6. SOIL TO HAVE MINIMUM BEARING CAPACITY OF 1500 PSF.
7. LOCATE TOP OF POOL AT LEAST 6" ABOVE THE SURROUNDING LAND ELEVATION.
8. SEE "OVER DIG DETAIL" FOR EXCAVATION AROUND POOL.
9. FILL VOIDS UNDER BASE OF PANELS AND TAMP WELL.
10. BACK FILL WITH NON-EXPANSIVE MATERIAL.
11. FOLLOW ALL CURRENT ANSI / APSP / ICC GUIDELINES FOR RESIDENTIAL POOLS


IMPORTANT NOTES:

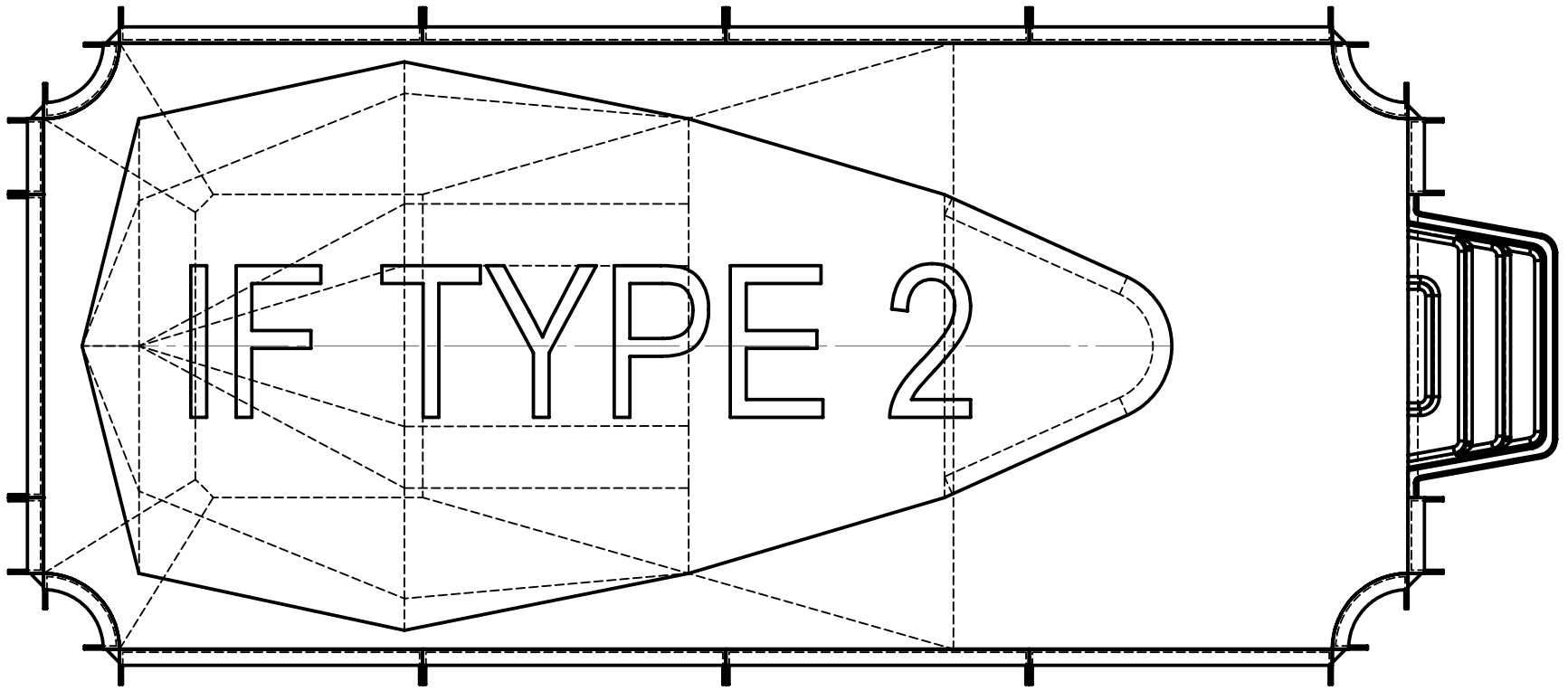
THIS DOCUMENT IS FOR ILLUSTRATIVE PURPOSES ONLY. THE DEALER OR CONTRACTOR WHO SELLS OR INSTALLS YOUR POOL IS AN INDEPENDENT CONTRACTOR AND IS NOT AN AGENT OF THE MANUFACTURER. THE CONSTRUCTION METHODS ILLUSTRATED HERE ARE SUGGESTIONS AND APPLY ONLY TO NORMAL GROUND CONDITIONS. THERE MAY BE ADDITIONAL PRECAUTIONS AND/OR METHODS OF CONSTRUCTION. PROPER INSTALLATION IS THE RESPONSIBILITY OF THE DEALER/BUILDER/CONTRACTOR.


ENGINEERING DRAWING NUMBER: 00023137	WEIGHT: lbs	UNLESS OTHERWISE SPECIFIED DIMENSIONS ARE IN INCHES TOLERANCES DECIMALS: X ± .1 XX ± .01 XXX ± .001 XXXX ± .0005 ANGULAR: X ± 0.5 THIRD ANGLE PROJECTION	DESIGNED BY: JRITTENHOUSE	CREATION DATE: 4/16/2013	SAMSON STEEL
	VOLUME: Inch ³		DETAILED BY: JRITTENHOUSE	DETAILED DATE: 2/13/2019	
	COLOR:		LAST REVISED BY: jrittenhouse	LAST REVISED DATE: 2/13/2019	
	HEAT TREAT: NA		MATERIAL:		
FINISH: NA			TITLE: LAYOUT, 16' X 36', HAMPTON, 2' RADIUS REVERSE, 8' DEEP, HS110N, LIGHT, 3- INLET, 1084, 600 SERIES		
TEXTURE: NA			PART NUMBER: 00023137		SCALE: 1:96 SHEET: 2 OF 4
					SIZE: A



TYPE-2 DIVING

ENGINEERING DRAWING NUMBER: 00023137	WEIGHT: 284561.4 lbs	UNLESS OTHERWISE SPECIFIED DIMENSIONS ARE IN INCHES TOLERANCES DECIMALS: X ± .1 XX ± .01 XXX ± .001 XXXX ± .0005 ANGULAR: X ± 0.5 THIRD ANGLE PROJECTION 	DESIGNED BY: JRITTENHOUSE	CREATION DATE: 12/11/2014	SAMSON STEEL	
	VOLUME: Inch ³		DETAILED BY: JRITTENHOUSE	DETAILED DATE: 2/13/2019		
	COLOR:		LAST REVISED BY: jrittenhouse	LAST REVISED DATE: 2/13/2019		
	HEAT TREAT:		MATERIAL:		TITLE: LAYOUT, 16' X 36', HAMPTON, 2' RADIUS REVERSE, 8" DEEP, HS110N, LIGHT, 3- INLET, 1084, 600 SERIES	
	FINISH:		PART NUMBER:			
	TEXTURE:		00023137			
				SCALE: 1:96	SIZE: A	
				SHEET: 3 OF 4		



ENGINEERING DRAWING NUMBER: 00023137	WEIGHT: 284561.4 lbs	UNLESS OTHERWISE SPECIFIED DIMENSIONS ARE IN INCHES TOLERANCES DECIMALS: X ± .1 XX ± .01 XXX ± .001 XXXX ± .0005 ANGULAR: X ± 0.5 THIRD ANGLE PROJECTION 	DESIGNED BY: JRITTENHOUSE	CREATION DATE: 12/11/2014	SAMSON STEEL
	VOLUME: Inch ³		DETAILED BY: JRITTENHOUSE	DETAILED DATE: 2/13/2019	
	COLOR:		LAST REVISED BY: jrittenhouse	LAST REVISED DATE: 2/13/2019	
	HEAT TREAT:		MATERIAL:		
	FINISH:		TITLE: LAYOUT, 16' X 36', HAMPTON, 2' RADIUS REVERSE, 8" DEEP, HS110N, LIGHT, 3- INLET, 1084, 600 SERIES		
	TEXTURE:				PART NUMBER: <div style="font-size: 24pt; font-weight: bold; text-align: center;">00023137</div>
			SCALE: 1:96	SIZE: A	
			SHEET: 4 OF 4		