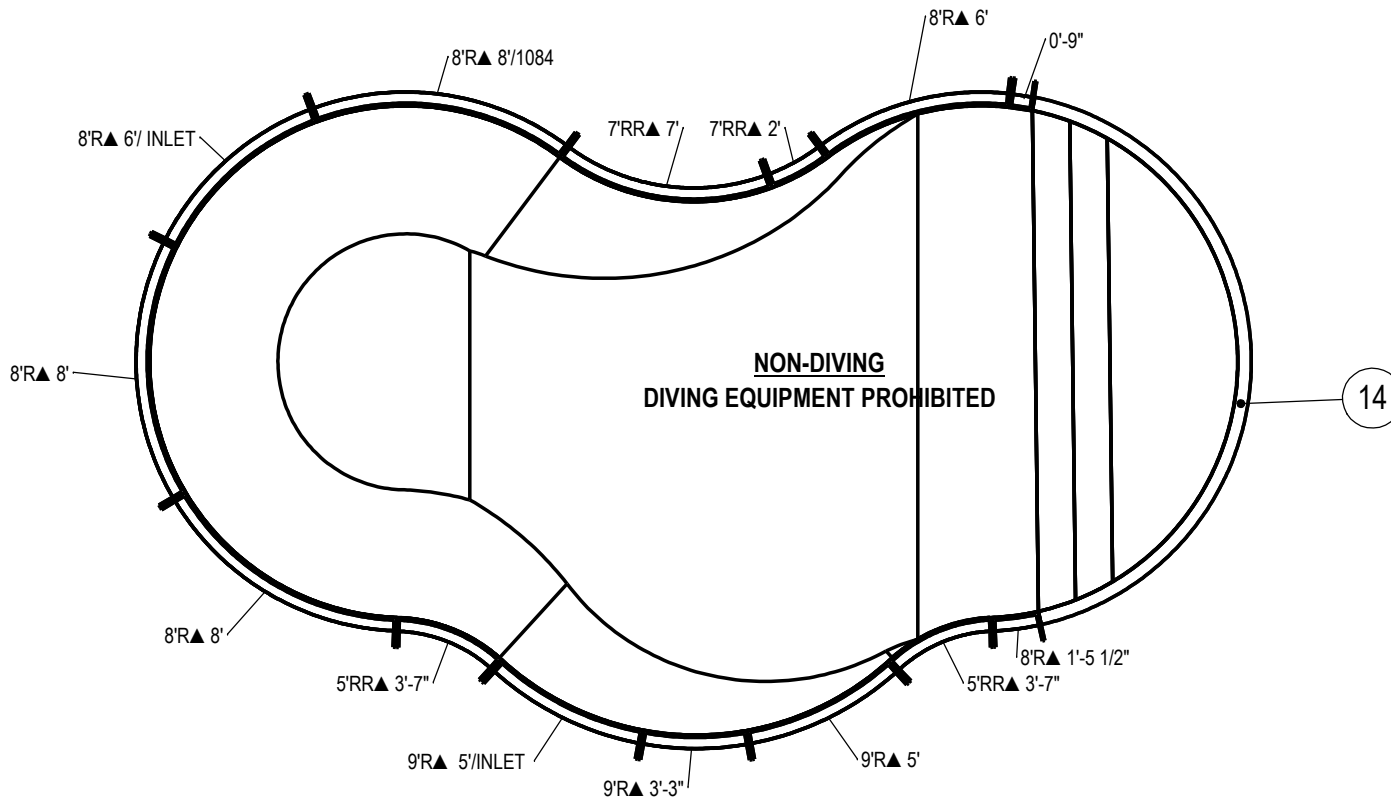


REVISION HISTORY				
REV.	DESCRIPTION	DATE	ECO	BY



NOTES:

- THESE ARE FINISHED DIMENSIONS READY FOR THE LINER.
- DIMENSIONS ARE FROM INSIDE POOL PANELS.
- ROPE AND FLOAT ASSEMBLY SHOULD BE INSTALLED IN ACCORDANCE WITH CURRENT ANSI/ASPS/ICC REGULATIONS
- HYDRA LINER TRACK FOR STEPS IS INSTALLED WITH THE BARB FACING THE RISER WALL ON THE STEP.

EXCAVATION NOTES:

- ROUGH EXCAVATION SHOULD BE 2" DEEPER IN EACH INSTANCE.
- SOIL TO HAVE MINIMUM BEARING CAPACITY OF 1500 PSF.
- LOCATE TOP OF POOL AT LEAST 6" ABOVE THE SURROUNDING LAND ELEVATION.
- SEE "OVER DIG DETAIL" FOR EXCAVATION AROUND POOL.
- FILL VOIDS UNDER BASE OF PANELS AND TAMP WELL.
- BACK FILL WITH NON-EXPANSIVE MATERIAL.
- FOLLOW ALL CURRENT ANSI / ASP / ICC GUIDELINES FOR RESIDENTIAL POOLS

IMPORTANT NOTES:

THIS DOCUMENT IS FOR ILLUSTRATIVE PURPOSES ONLY. THE DEALER OR CONTRACTOR WHO SELLS OR INSTALLS YOUR POOL IS AN INDEPENDENT CONTRACTOR AND IS NOT AN AGENT OF THE MANUFACTURER. THE CONSTRUCTION METHODS ILLUSTRATED HERE ARE SUGGESTIONS AND APPLY ONLY TO NORMAL GROUND CONDITIONS. THERE MAY BE ADDITIONAL PRECAUTIONS AND/OR METHODS OF CONSTRUCTION. PROPER INSTALLATION IS THE RESPONSIBILITY OF THE DEALER/BUILDER/CONTRACTOR.

ITEM	FILE NAME	DESCRIPTION	CUSTOMER DRAWING #	VENDOR PART #	QTY.
1	PANEL, RADIUS	PANEL, 8' RADIUS, 8' LONG, 1084, 600 SERIES	HPSD8R884	00000271	1
2	PANEL, RADIUS	PANEL, 8' RADIUS, 6' LONG, INLET, 600 SERIES	HPS8R6I	00007672	1
3	PANEL, RADIUS	PANEL, 8' RADIUS, 8' LONG, 600 SERIES	HPSD8R8	00000145	2
4	PANEL, RADIUS	PANEL, 9' RADIUS, 5' LONG, 600 SERIES	HPSD9R5	00000354	1
5	PANEL, RADIUS	PANEL, 9' RADIUS, 3'-3" LONG, 600 SERIES	HPSCR4	00009564	1
6	PANEL, RADIUS	PANEL, 8' RADIUS, 6' LONG, 600 SERIES	HPSD8R6	00001456	1
7	PANEL, RADIUS	PANEL, 8' RADIUS, 1'-5 1/2" LONG, 600 SERIES	HPSCR2	00008764	1
8	PANEL, RADIUS	PANEL, 9' RADIUS, 5' LONG, INLET, 600 SERIES	HPSCR6	00010919	1
9	PANEL, RR	PANEL, 5' REVERSE RADIUS, 3'-7" LONG, 600 SERIES	HPSCRR4	00009607	2
10	PANEL, RR	PANEL, 7' REVERSE RADIUS, 7' LONG, 600 SERIES	HPSCRR8	00005891	1
11	PANEL, RR	PANEL, 7' REVERSE RADIUS, 2' LONG, 600 SERIES	HPSCRR3	00008157	1
12	SBRACE	BRACE, FOLD OVER WITH TURNBUCKLE, STEEL, HPSFOB	HPSFOB	HPSFOB	15
13	BOLT, PACK	BOLT, FLANGE, 3/8-16 X 1", PACK (50)	HPS1916	HPS1916	4
14	Q00000598	STEP, CUSTOM, 8' RADIUS, 3 TREAD, 4' SUNLEDGE	Q00000598	Q00000598	1
15	PANEL, STRAIGHT	PANEL, 0'-9" LONG, 600 SERIES	HPSD9P	00001694	1

ENGINEERING DRAWING NUMBER:
00018227

UNLESS OTHERWISE SPECIFIED
DIMENSIONS ARE IN INCHES
TOLERANCES
DECIMALS: X ± .1
 XX ± .01
 XXX ± .001
 XXXX ± .0005
ANGULAR: X ± 0.5
THIRD ANGLE PROJECTION

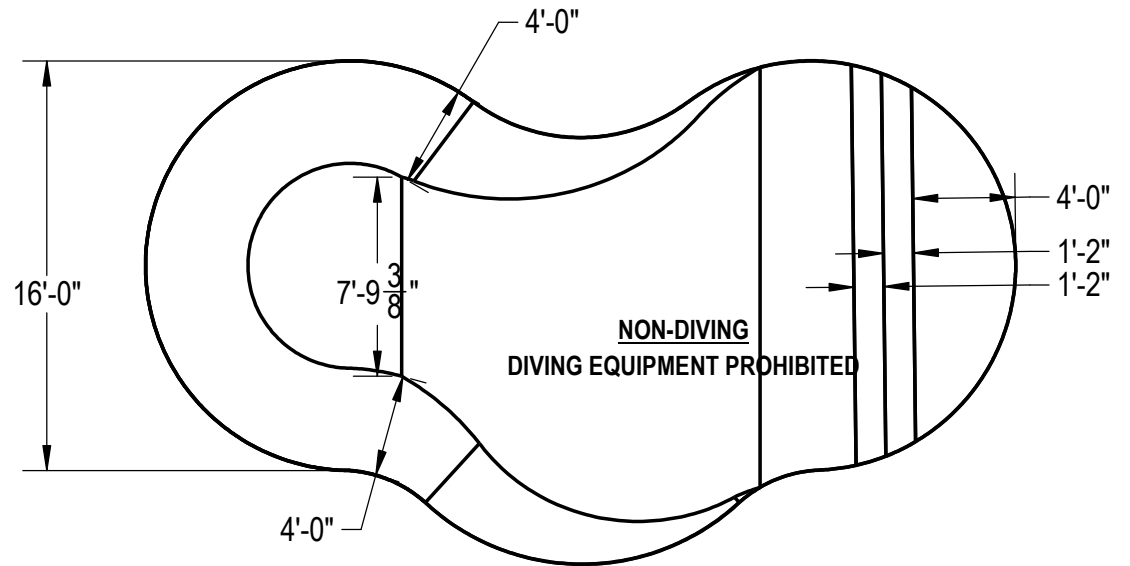
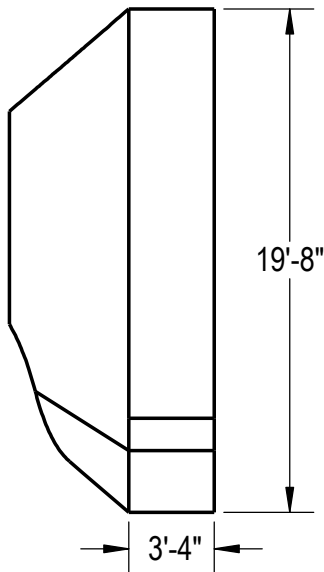
DESIGNED BY:
BUMPHREY
CREATION DATE:
7/19/2013
DETAILED BY:
JRITTENHOUSE
DETAILED DATE:
4/6/2018
LAST REVISED BY:
rhouston
LAST REVISED DATE:
4/6/2018
MATERIAL:

SAMSON STEEL

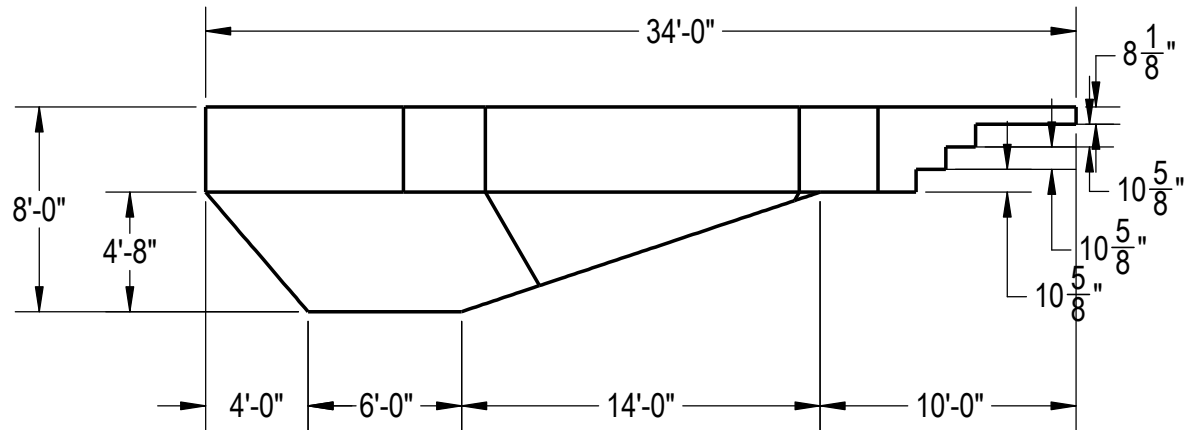
TITLE: **LAYOUT, 16' X 34', LAGOON, RIGHT, 8' DEEP, HS103N, LIGHT, 1084, 3-INLET, 600 SERIES**

PART NUMBER: **00018227**

SCALE: 1:72
SHEET: 1 OF 3
SIZE: A



Area: 500.97ft ^2
Perimeter: 89.42ft
Volume = 17630 US gallons



NOTES:

1. THESE ARE FINISHED DIMENSIONS READY FOR THE LINER.
2. DIMENSIONS ARE FROM INSIDE POOL PANELS.
3. ROPE AND FLOAT ASSEMBLY SHOULD BE INSTALLED IN ACCORDANCE WITH CURRENT ANSI/ASPS/ICC REGULATIONS
4. HYDRA LINER TRACK FOR STEPS IS INSTALLED WITH THE BARB FACING THE RISER WALL ON THE STEP.

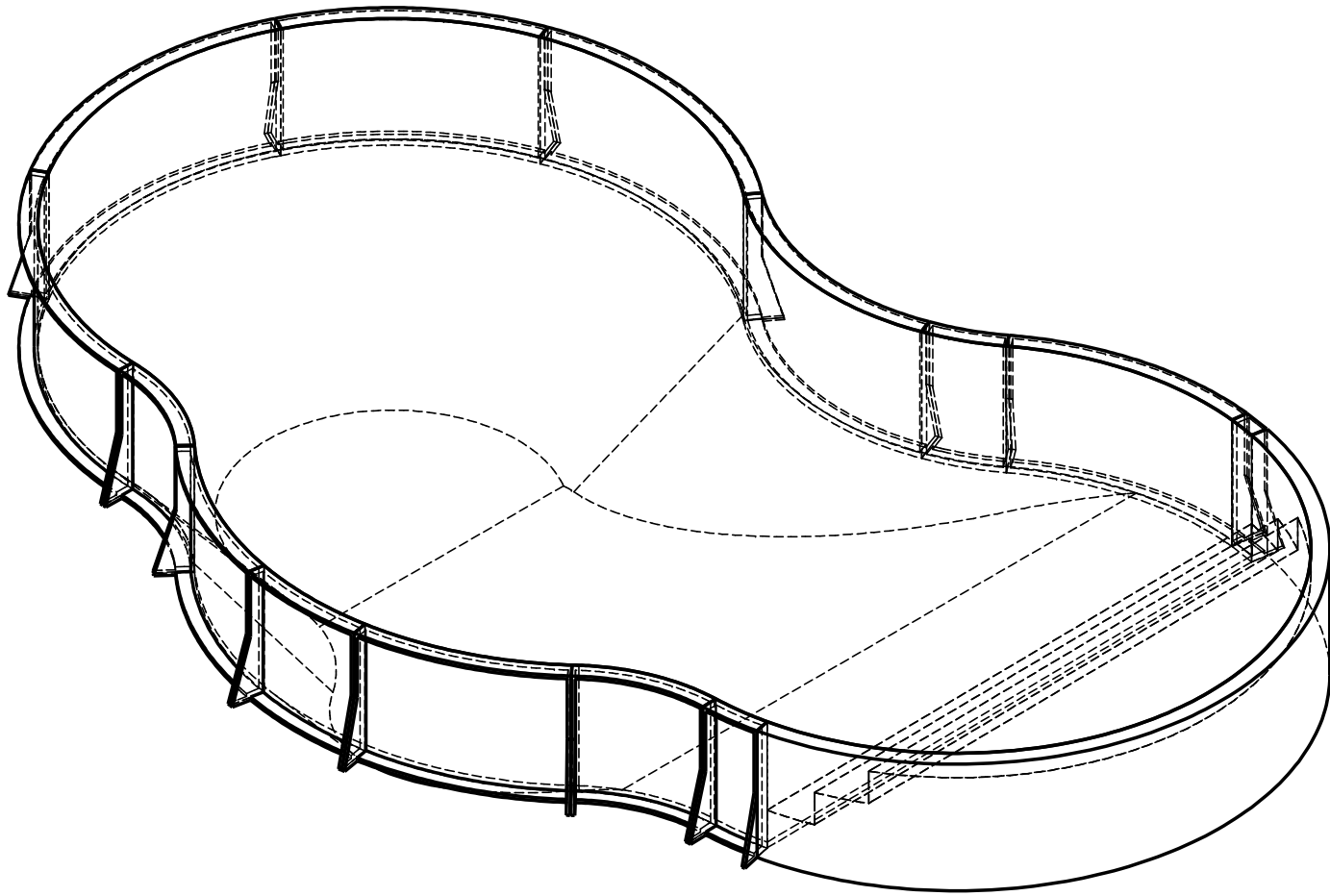
EXCAVATION NOTES:

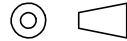
5. ROUGH EXCAVATION SHOULD BE 2" DEEPER IN EACH INSTANCE.
6. SOIL TO HAVE MINIMUM BEARING CAPACITY OF 1500 PSF.
7. LOCATE TOP OF POOL AT LEAST 6" ABOVE THE SURROUNDING LAND ELEVATION.
8. SEE "OVER DIG DETAIL" FOR EXCAVATION AROUND POOL.
9. FILL VOIDS UNDER BASE OF PANELS AND TAMP WELL.
10. BACK FILL WITH NON-EXPANSIVE MATERIAL.
11. FOLLOW ALL CURRENT ANSI / APSP / ICC GUIDELINES FOR RESIDENTIAL POOLS

IMPORTANT NOTES:

THIS DOCUMENT IS FOR ILLUSTRATIVE PURPOSES ONLY. THE DEALER OR CONTRACTOR WHO SELLS OR INSTALLS YOUR POOL IS AN INDEPENDENT CONTRACTOR AND IS NOT AN AGENT OF THE MANUFACTURER. THE CONSTRUCTION METHODS ILLUSTRATED HERE ARE SUGGESTIONS AND APPLY ONLY TO NORMAL GROUND CONDITIONS. THERE MAY BE ADDITIONAL PRECAUTIONS AND/OR METHODS OF CONSTRUCTION. PROPER INSTALLATION IS THE RESPONSIBILITY OF THE DEALER/BUILDER/CONTRACTOR.

ENGINEERING DRAWING NUMBER: 00018227	WEIGHT: lbs	UNLESS OTHERWISE SPECIFIED DIMENSIONS ARE IN INCHES TOLERANCES DECIMALS: X ± .1 XX ± .01 XXX ± .001 XXXX ± .0005 ANGULAR: X ± 0.5 THIRD ANGLE PROJECTION	DESIGNED BY: BUMPHREY	CREATION DATE: 1/3/2012	SAMSON STEEL	
	VOLUME: Inch ³		DETAILED BY: JRITTENHOUSE	DETAILED DATE: 4/6/2018		
	COLOR:		LAST REVISED BY: rhouston	LAST REVISED DATE: 4/6/2018	TITLE: LAYOUT, 16' X 34', LAGOON, RIGHT, 8' DEEP, HS103N, LIGHT, 1084, 3-INLET, 600 SERIES	
	HEAT TREAT: NA		MATERIAL:			
FINISH: NA					SHEET: 2 OF 3	
TEXTURE: NA						



ENGINEERING DRAWING NUMBER: 00018227	WEIGHT:	UNLESS OTHERWISE SPECIFIED DIMENSIONS ARE IN INCHES TOLERANCES DECIMALS: X ± .1 XX ± .01 XXX ± .001 XXXX ± .0005 ANGULAR: X ± 0.5 THIRD ANGLE PROJECTION 	DESIGNED BY:	CREATION DATE:	SAMSON STEEL	
	lbs		BUMPHREY	7/19/2013		
	VOLUME:		DETAILED BY:	DETAILED DATE:		
	Inch ³		JRITTENHOUSE	4/6/2018	TITLE:	LAYOUT, 16' X 34', LAGOON, RIGHT, 8' DEEP, HS103N, LIGHT, 1084, 3-INLET, 600 SERIES
	COLOR:		LAST REVISED BY:	LAST REVISED DATE:	PART NUMBER:	
	HEAT TREAT:		rhouston	4/6/2018	00018227	
FINISH:	MATERIAL:			SCALE:	SIZE:	
TEXTURE:					1:84	A
					SHEET:	
					3 OF 3	