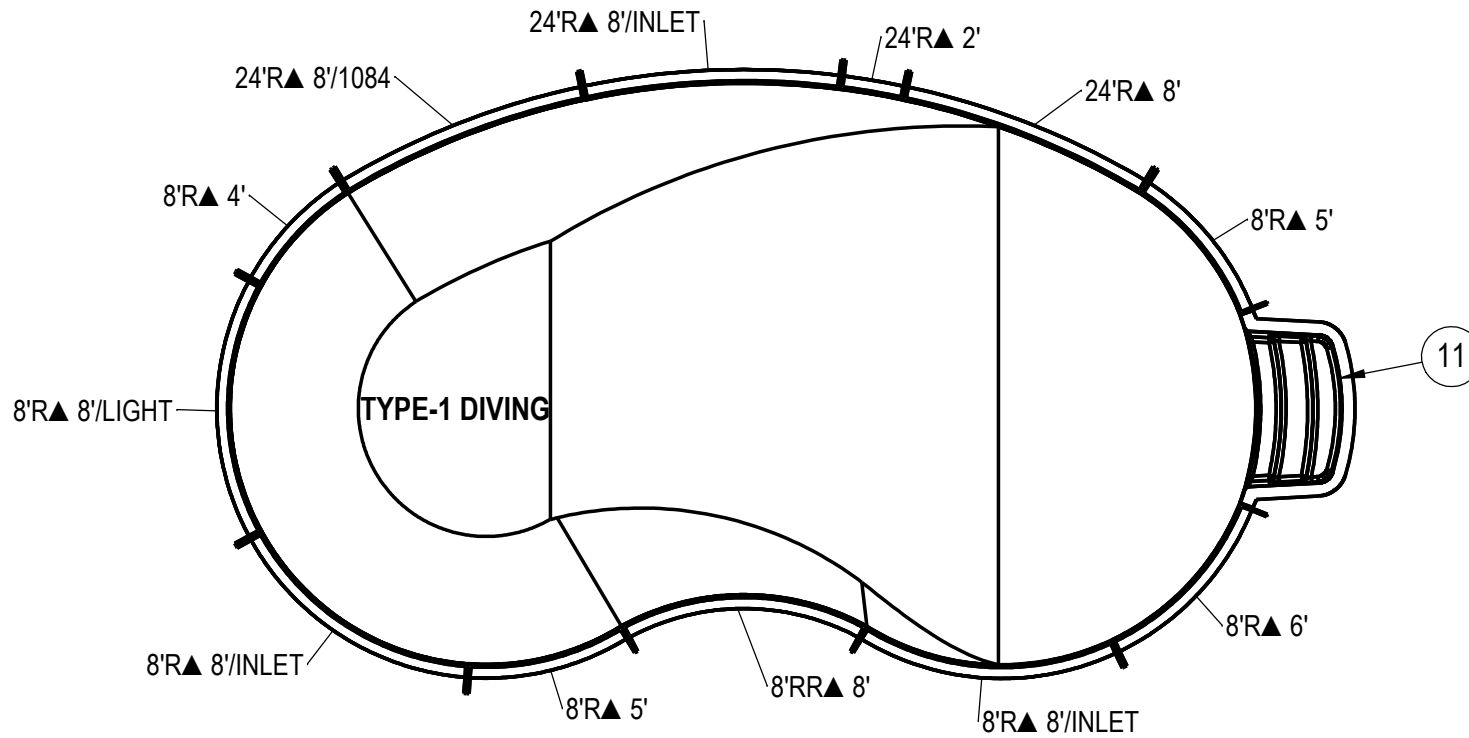


REVISION HISTORY				
REV.	DESCRIPTION	DATE	ECO	BY



**NOTES:**

1. THESE ARE FINISHED DIMENSIONS READY FOR THE LINER.
2. DIMENSIONS ARE FROM INSIDE POOL PANELS.
3. ROPE AND FLOAT ASSEMBLY SHOULD BE INSTALLED IN ACCORDANCE WITH CURRENT ANSI/ASPS/ICC REGULATIONS
4. HYDRA LINER TRACK FOR STEPS IS INSTALLED WITH THE BARB FACING THE RISER WALL ON THE STEP.

**EXCAVATION NOTES:**

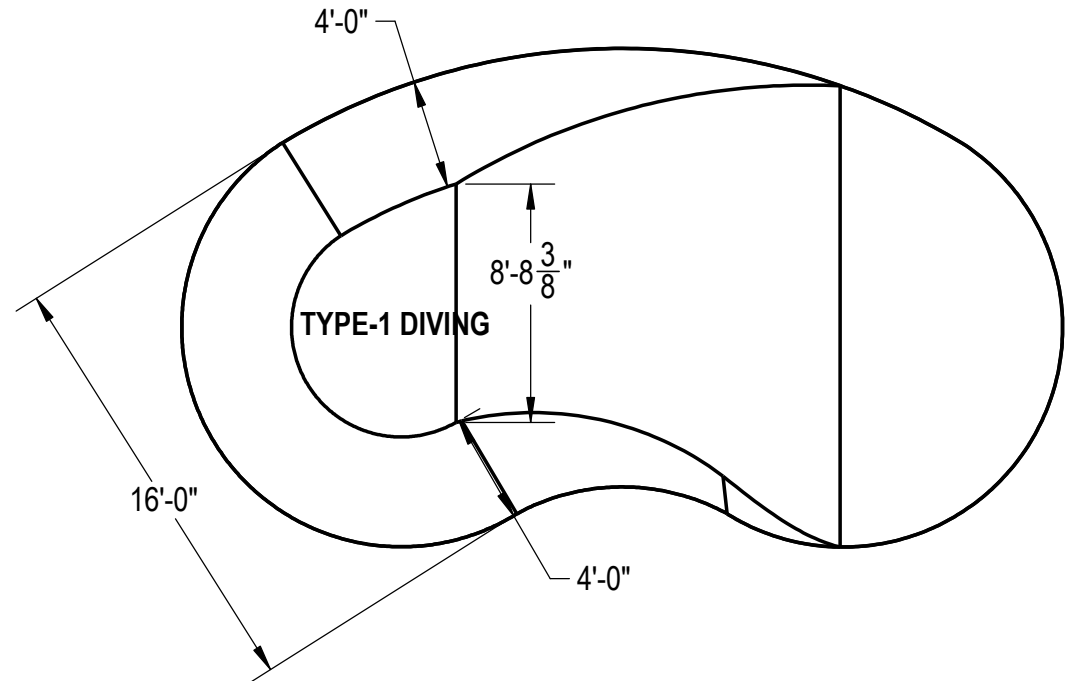
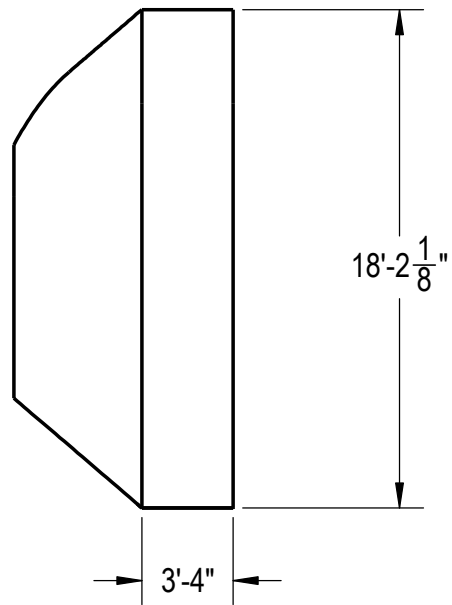
5. ROUGH EXCAVATION SHOULD BE 2" DEEPER IN EACH INSTANCE.
6. SOIL TO HAVE MINIMUM BEARING CAPACITY OF 1500 PSF.
7. LOCATE TOP OF POOL AT LEAST 6" ABOVE THE SURROUNDING LAND ELEVATION.
8. SEE "OVER DIG DETAIL" FOR EXCAVATION AROUND POOL.
9. FILL VOIDS UNDER BASE OF PANELS AND TAMP WELL.
10. BACK FILL WITH NON-EXPANSIVE MATERIAL.
11. FOLLOW ALL CURRENT ANSI / APSP / ICC GUIDELINES FOR RESIDENTIAL POOLS

**IMPORTANT NOTES:**

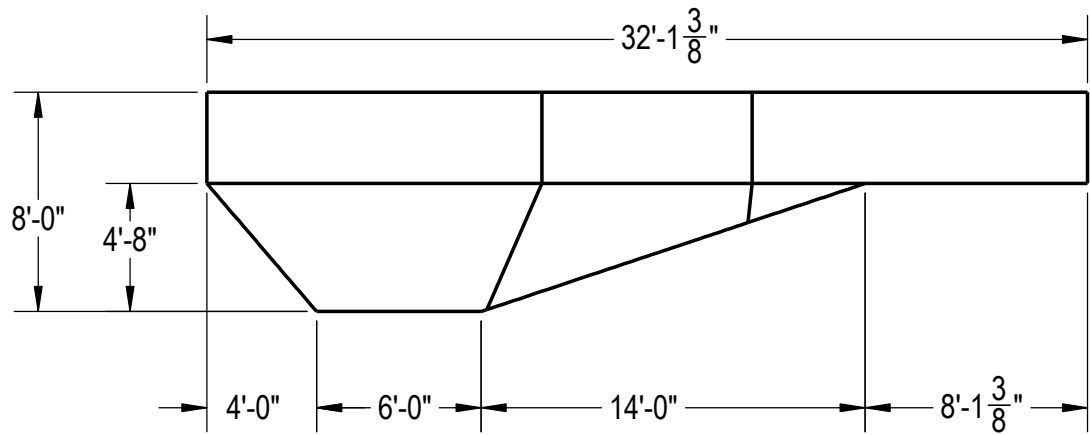
THIS DOCUMENT IS FOR ILLUSTRATIVE PURPOSES ONLY. THE DEALER OR CONTRACTOR WHO SELLS OR INSTALLS YOUR POOL IS AN INDEPENDENT CONTRACTOR AND IS NOT AN AGENT OF THE MANUFACTURER. THE CONSTRUCTION METHODS ILLUSTRATED HERE ARE SUGGESTIONS AND APPLY ONLY TO NORMAL GROUND CONDITIONS. THERE MAY BE ADDITIONAL PRECAUTIONS AND/OR METHODS OF CONSTRUCTION. PROPER INSTALLATION IS THE RESPONSIBILITY OF THE DEALER/BUILDER/CONTRACTOR.

ITEM	FILE NAME	DESCRIPTION	CUSTOMER DRAWING #	VENDOR PART #	QTY.
1	PANEL, RADIUS	PANEL, 8' RADIUS, 8' LONG, INLET, 600 SERIES	HPS8R8I	00000758	2
2	PANEL, RADIUS	PANEL, 8' RADIUS, 8' LONG, LIGHT, 600 SERIES	HPSD8R8L	00001463	1
3	PANEL, RADIUS	PANEL, 8' RADIUS, 4' LONG, 600 SERIES	HPSD8R4	00000338	1
4	PANEL, RADIUS	PANEL, 24' RADIUS, 8' LONG, 1084, 600 SERIES	HPS24R884	00000252	1
5	PANEL, RADIUS	PANEL, 8' RADIUS, 5' LONG, 600 SERIES	HPSD8R5	00001450	2
6	PANEL, RADIUS	PANEL, 24' RADIUS, 8' LONG, INLET, 600 SERIES	HPSCR8	00005378	1
7	PANEL, RADIUS	PANEL, 8' RADIUS, 6' LONG, 600 SERIES	HPSD8R6	00001456	1
8	PANEL, RADIUS	PANEL, 24' RADIUS, 2' LONG, 600 SERIES	HPSD24R2	00002202	1
9	PANEL, RADIUS	PANEL, 24' RADIUS, 8' LONG, 600 SERIES	HPSD24R8	00000254	1
10	PANEL, RR	PANEL, 8' REVERSE RADIUS, 8' LONG, 600 SERIES	HPSD8RR8	00000347	1
11	HS103N	STEP, 6' RADIUS, 3 TREAD	HS103N	HS103N	1
12	SBRACE	BRACE, FOLD OVER WITH TURNBUCKLE, STEEL, HPSFOB	HPSFOB	HPSFOB	13
13	BOLT, PACK	BOLT, FLANGE, 3/8-16 X 1", PACK (50)	HPS1916	HPS1916	3

ENGINEERING DRAWING NUMBER: <b>00018193</b>	WEIGHT: lbs	<b>UNLESS OTHERWISE SPECIFIED</b> DIMENSIONS ARE IN INCHES TOLERANCES DECIMALS: X ± .1 XX ± .01 XXX ± .001 XXXX ± .0005  ANGULAR: X ± 0.5 THIRD ANGLE PROJECTION	DESIGNED BY: <b>BUMPHREY</b>	CREATION DATE: <b>8/2/2013</b>	<b>HYDRA POOLS</b>
	VOLUME: Inch <sup>3</sup>		DETAILED BY: <b>JRITTENHOUSE</b>	DETAILED DATE: <b>4/5/2018</b>	
	COLOR:		LAST REVISED BY: <b>rhouston</b>	LAST REVISED DATE: <b>4/5/2018</b>	
	HEAT TREAT:		MATERIAL:		
NA	FINISH:		TITLE: <b>LAYOUT, 16' X 32'-1", KIDNEY, LEFT, 8' DEEP, HS103N, LIGHT, 1084, 3-INLETS, 600 SERIES</b>		
NA	TEXTURE:		PART NUMBER: <b>00018193</b>		
NA			SCALE: 1:72 SHEET: 1 OF 5 SIZE: <b>A</b>		



**Area: 470.98ft ^2**  
**Perimeter: 84.03ft**  
**Volume = 18069 US gallons**



**NOTES:**

1. THESE ARE FINISHED DIMENSIONS READY FOR THE LINER.
2. DIMENSIONS ARE FROM INSIDE POOL PANELS.
3. ROPE AND FLOAT ASSEMBLY SHOULD BE INSTALLED IN ACCORDANCE WITH CURRENT ANSI/ASPS/ICC REGULATIONS
4. HYDRA LINER TRACK FOR STEPS IS INSTALLED WITH THE BARB FACING THE RISER WALL ON THE STEP.

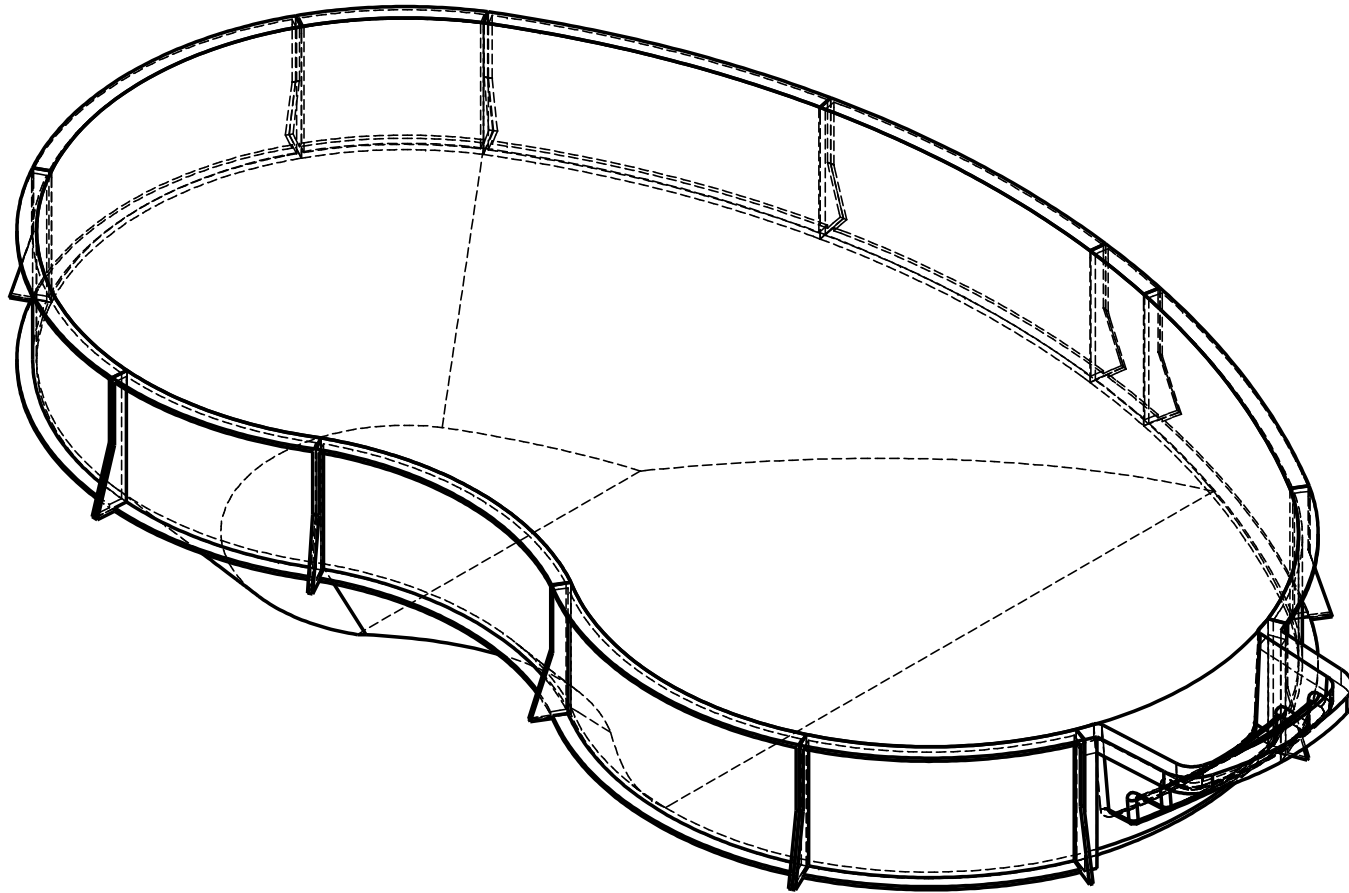
**EXCAVATION NOTES:**

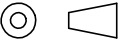
5. ROUGH EXCAVATION SHOULD BE 2" DEEPER IN EACH INSTANCE.
6. SOIL TO HAVE MINIMUM BEARING CAPACITY OF 1500 PSF.
7. LOCATE TOP OF POOL AT LEAST 6" ABOVE THE SURROUNDING LAND ELEVATION.
8. SEE "OVER DIG DETAIL" FOR EXCAVATION AROUND POOL.
9. FILL VOIDS UNDER BASE OF PANELS AND TAMP WELL.
10. BACK FILL WITH NON-EXPANSIVE MATERIAL.
11. FOLLOW ALL CURRENT ANSI / ASPSP / ICC GUIDELINES FOR RESIDENTIAL POOLS

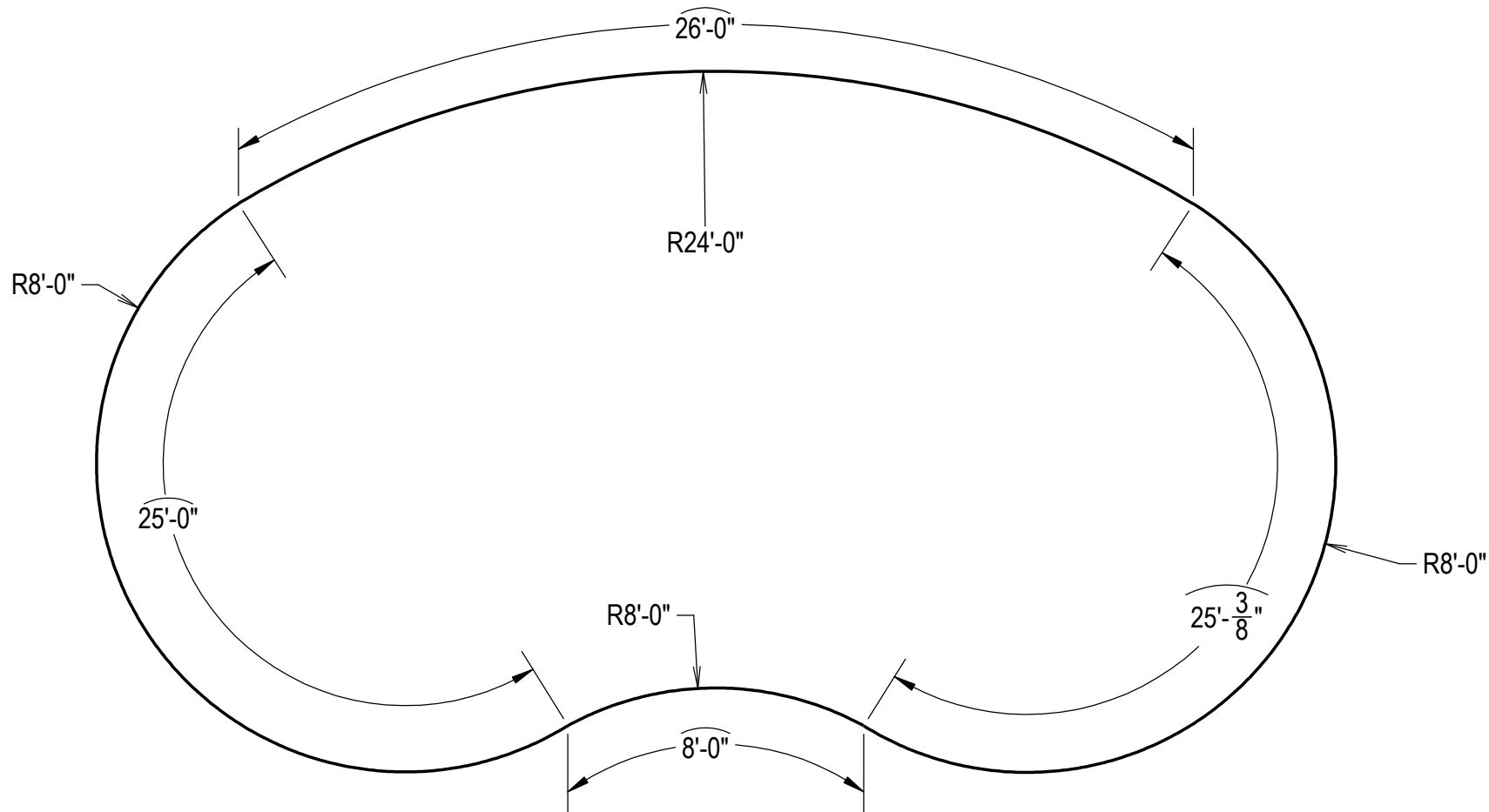
**IMPORTANT NOTES:**

THIS DOCUMENT IS FOR ILLUSTRATIVE PURPOSES ONLY. THE DEALER OR CONTRACTOR WHO SELLS OR INSTALLS YOUR POOL IS AN INDEPENDENT CONTRACTOR AND IS NOT AN AGENT OF THE MANUFACTURER. THE CONSTRUCTION METHODS ILLUSTRATED HERE ARE SUGGESTIONS AND APPLY ONLY TO NORMAL GROUND CONDITIONS. THERE MAY BE ADDITIONAL PRECAUTIONS AND/OR METHODS OF CONSTRUCTION. PROPER INSTALLATION IS THE RESPONSIBILITY OF THE DEALER/BUILDER/CONTRACTOR.

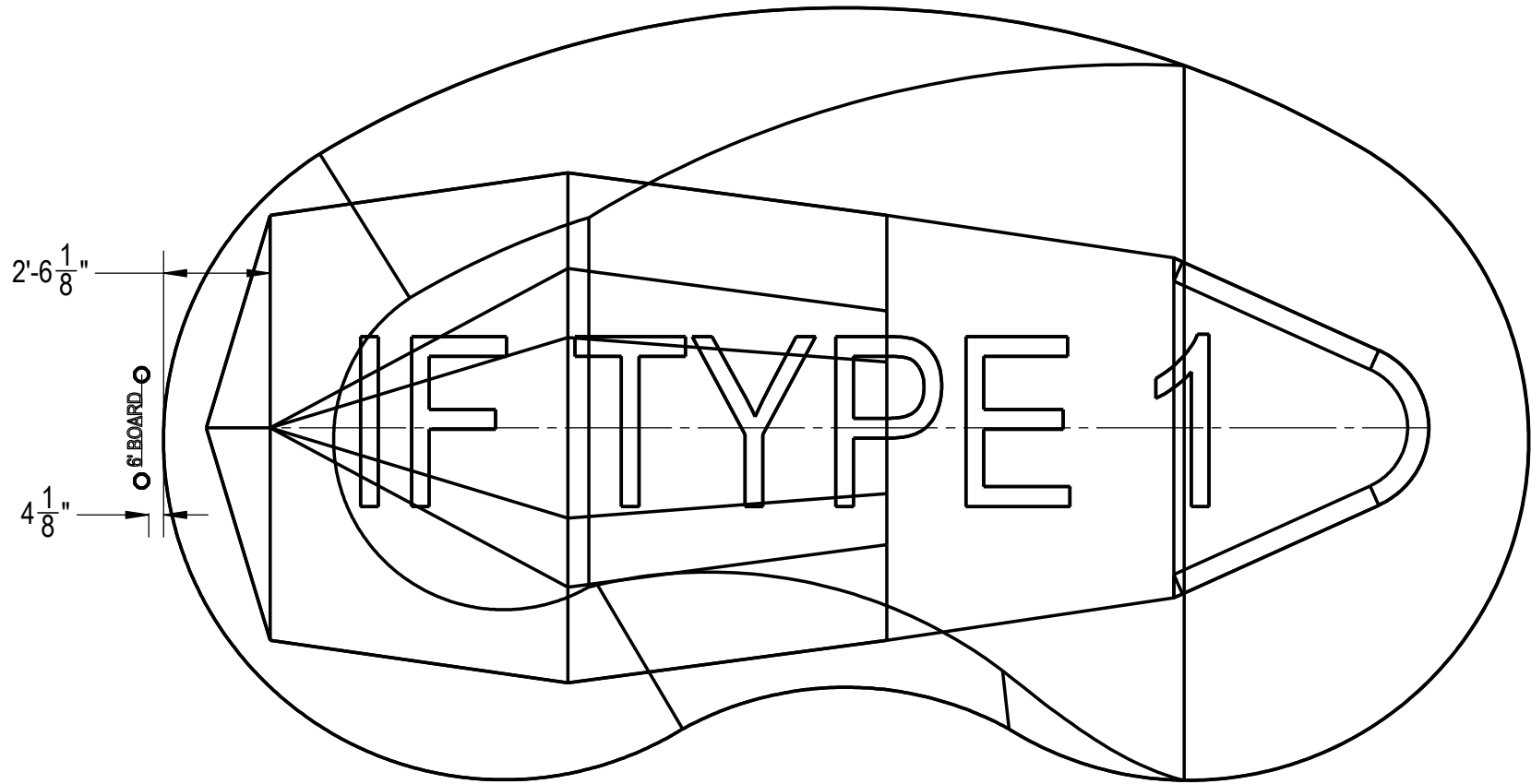
ENGINEERING DRAWING NUMBER: <b>00018193</b>	WEIGHT:	<b>UNLESS OTHERWISE SPECIFIED</b> DIMENSIONS ARE IN INCHES TOLERANCES DECIMALS: X ± .1 XX ± .01 XXX ± .001 XXXX ± .0005  ANGULAR: X ± 0.5 THIRD ANGLE PROJECTION 	DESIGNED BY:	CREATION DATE:	<b>HYDRA POOLS</b>
	lbs		<b>BUMPHREY</b>	<b>8/2/2013</b>	
	VOLUME:		DETAILED BY:	DETAILED DATE:	TITLE: <b>LAYOUT, 16' X 32'-1", KIDNEY, LEFT, 8' DEEP, HS103N, LIGHT, 1084, 3-INLETS, 600 SERIES</b>
	Inch <sup>3</sup>		<b>JRITTENHOUSE</b>	<b>4/5/2018</b>	
NA	LAST REVISED BY:	LAST REVISED DATE:	PART NUMBER: <b>00018193</b>		
COLOR:	MATERIAL:		SCALE:	SIZE:	
NA			<b>1:84</b>	<b>A</b>	
HEAT TREAT:			SHEET:		
NA			<b>2 OF 5</b>		
FINISH:					
NA					
TEXTURE:					
NA					



ENGINEERING DRAWING NUMBER: <b>00018193</b>	WEIGHT:	<b>UNLESS OTHERWISE SPECIFIED</b> DIMENSIONS ARE IN INCHES TOLERANCES DECIMALS: X ± .1 XX ± .01 XXX ± .001 XXXX ± .0005  ANGULAR: X ± 0.5 THIRD ANGLE PROJECTION 	DESIGNED BY:	CREATION DATE:	<b>HYDRA POOLS</b>	
	lbs		<b>BUMPHREY</b>	<b>8/2/2013</b>		
	VOLUME:		Detailed by:	DETAILED DATE:	TITLE: <b>LAYOUT, 16' X 32'-1", KIDNEY, LEFT, 8' DEEP, HS103N,                  LIGHT, 1084, 3-INLETS, 600 SERIES</b>	
	Inch <sup>3</sup>		<b>JRITTENHOUSE</b>	<b>4/5/2018</b>		
	COLOR:		LAST REVISED BY:	LAST REVISED DATE:		
	NA		<b>rhouston</b>	<b>4/5/2018</b>		
HEAT TREAT:	MATERIAL:	PART NUMBER:	SCALE:	SIZE:		
NA		<b>00018193</b>	<b>1:60</b>	<b>A</b>		
FINISH:			SHEET:			
NA			<b>3 OF 5</b>			
TEXTURE:						
NA						



ENGINEERING DRAWING NUMBER: <b>00018193</b>	WEIGHT:	<b>UNLESS OTHERWISE SPECIFIED</b> DIMENSIONS ARE IN INCHES TOLERANCES DECIMALS: X ± .1 XX ± .01 XXX ± .001 XXXX ± .0005  ANGULAR: X ± 0.5 THIRD ANGLE PROJECTION 	DESIGNED BY:	CREATION DATE:	<b>HYDRA POOLS</b>	
	lbs		<b>BUMPHREY</b>	<b>8/2/2013</b>		
	VOLUME:		DETAILED BY:	DETAILED DATE:		
	Inch <sup>3</sup>		<b>JRITTENHOUSE</b>	<b>4/5/2018</b>	TITLE:	<b>LAYOUT, 16' X 32'-1", KIDNEY, LEFT, 8' DEEP, HS103N,                  LIGHT, 1084, 3-INLETS, 600 SERIES</b>
	COLOR:		LAST REVISED BY:	LAST REVISED DATE:	PART NUMBER:	
	NA		<b>rhouston</b>	<b>4/5/2018</b>	<b>00018193</b>	SCALE:
HEAT TREAT:	MATERIAL:			1:52	A	
NA				SHEET:		
FINISH:				4 OF 5		
NA						
TEXTURE:						
NA						



ENGINEERING DRAWING NUMBER: <b>00018193</b>	WEIGHT:	<b>UNLESS OTHERWISE SPECIFIED</b> DIMENSIONS ARE IN INCHES TOLERANCES DECIMALS: X ± .1 XX ± .01 XXX ± .001 XXXX ± .0005  ANGULAR: X ± 0.5 THIRD ANGLE PROJECTION 	DESIGNED BY:	CREATION DATE:	<b>HYDRA POOLS</b>	
	lbs		<b>BUMPHREY</b>	<b>8/2/2013</b>		
	VOLUME:		DETAILED BY:	DETAILED DATE:		
	Inch <sup>3</sup>		<b>JRITTENHOUSE</b>	<b>4/5/2018</b>	TITLE:	LAYOUT, 16' X 32'-1", KIDNEY, LEFT, 8' DEEP, HS103N, LIGHT, 1084, 3-INLETS, 600 SERIES
	COLOR:		LAST REVISED BY:	LAST REVISED DATE:	PART NUMBER:	
	NA		<b>rhouston</b>	<b>4/5/2018</b>	<b>00018193</b>	SCALE:
HEAT TREAT:	MATERIAL:	<b>1:52</b>	<b>A</b>			
NA		<b>5 OF 5</b>				
FINISH:						
TEXTURE:						