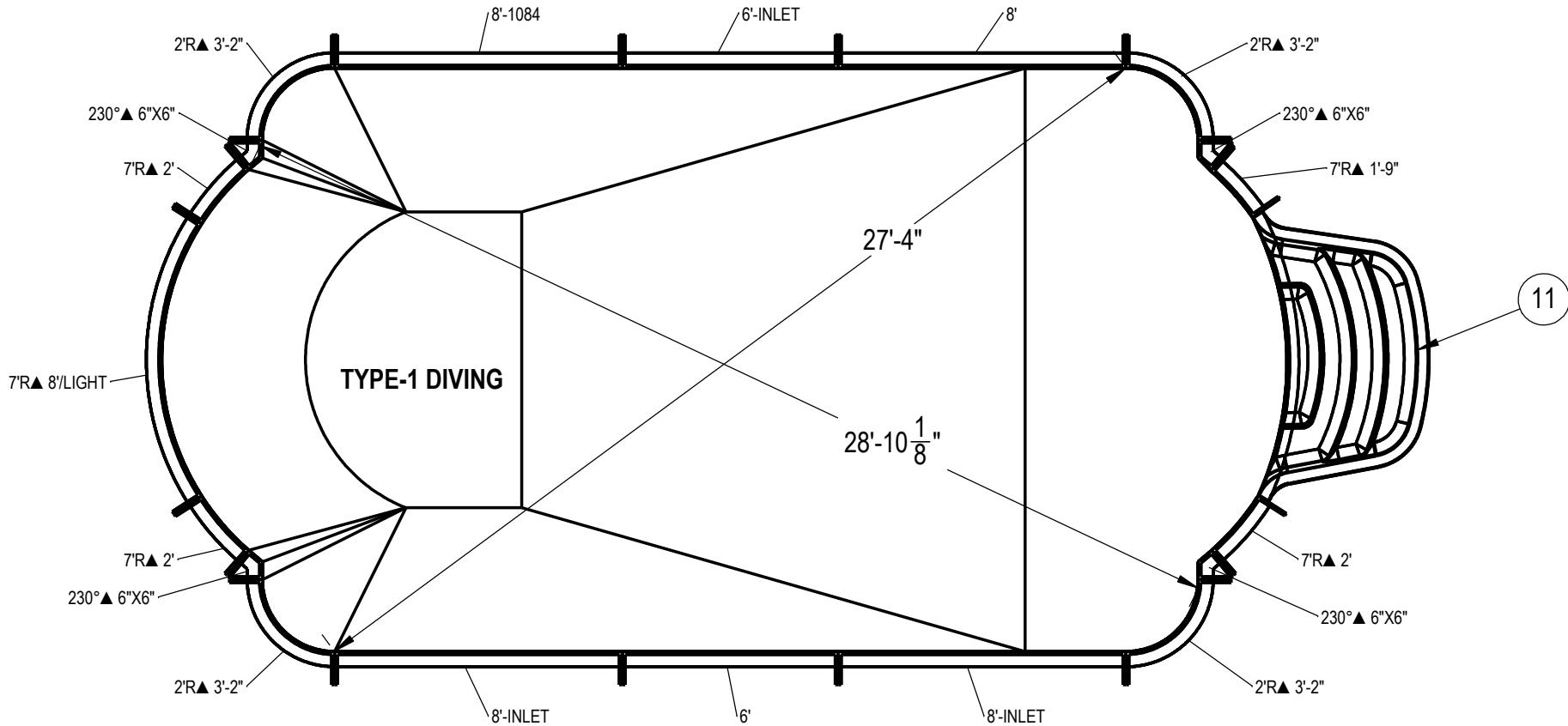


REVISION HISTORY				
REV.	DESCRIPTION	DATE	ECO	BY



NOTES:

- THESE ARE FINISHED DIMENSIONS READY FOR THE LINER.
- DIMENSIONS ARE FROM INSIDE POOL PANELS.
- ROPE AND FLOAT ASSEMBLY SHOULD BE INSTALLED IN ACCORDANCE WITH CURRENT ANSI/APSP/ICC REGULATIONS
- HYDRA LINER TRACK FOR STEPS IS INSTALLED WITH THE BARB FACING THE RISER WALL ON THE STEP.

EXCAVATION NOTES:

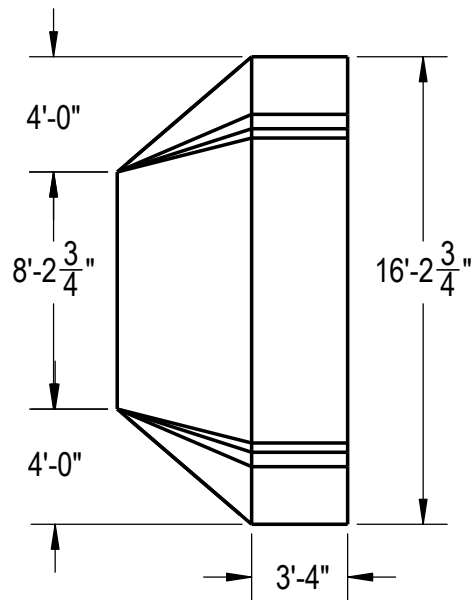
- ROUGH EXCAVATION SHOULD BE 2" DEEPER IN EACH INSTANCE.
- SOIL TO HAVE MINIMUM BEARING CAPACITY OF 1500 PSF.
- LOCATE TOP OF POOL AT LEAST 6" ABOVE THE SURROUNDING LAND ELEVATION.
- SEE "OVER DIG DETAIL" FOR EXCAVATION AROUND POOL.
- FILL VOIDS UNDER BASE OF PANELS AND TAMP WELL.
- BACK FILL WITH NON-EXPANSIVE MATERIAL.
- FOLLOW ALL CURRENT ANSI / APSP / ICC GUIDELINES FOR RESIDENTIAL POOLS

IMPORTANT NOTES:

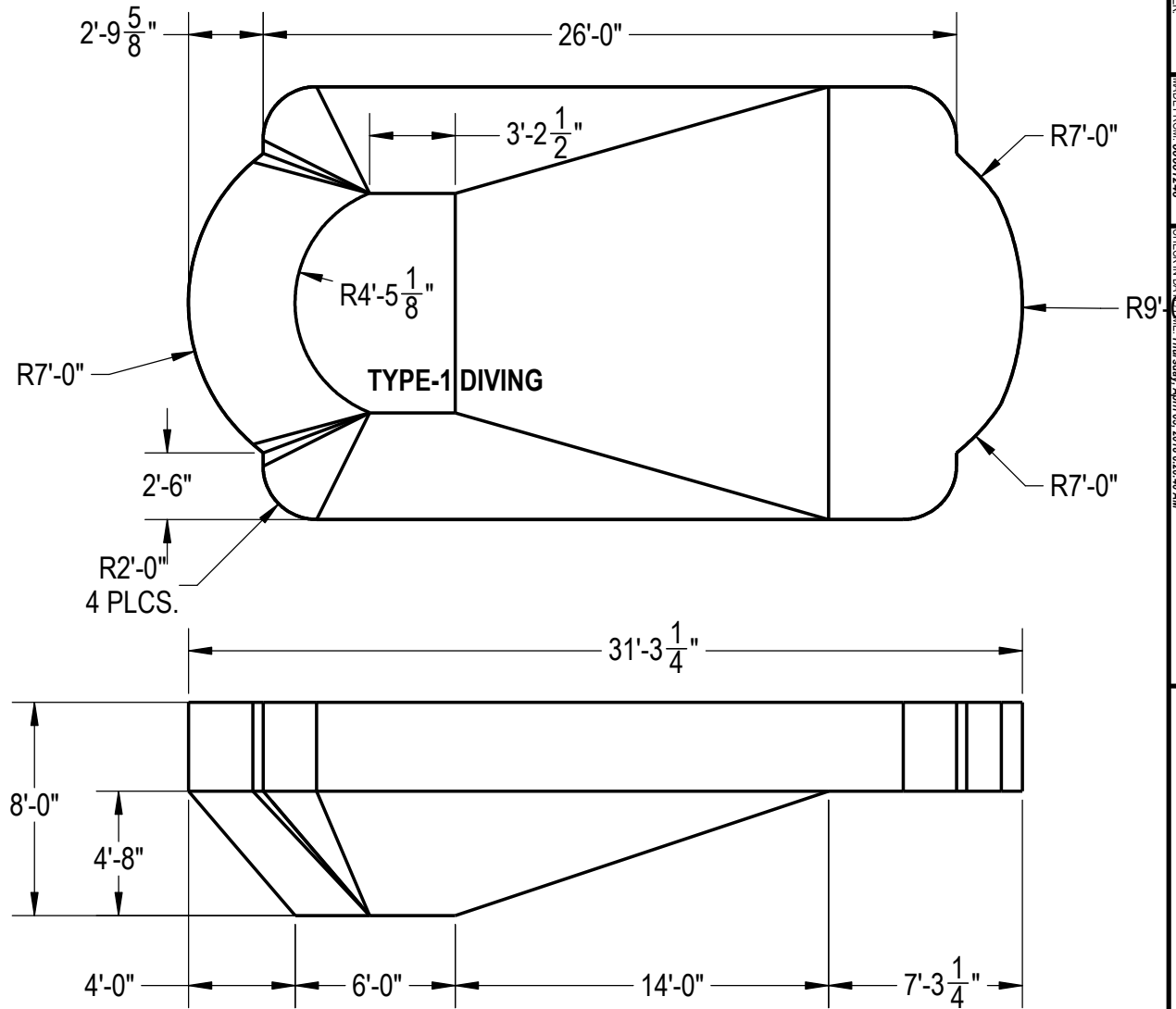
THIS DOCUMENT IS FOR ILLUSTRATIVE PURPOSES ONLY. THE DEALER OR CONTRACTOR WHO SELLS OR INSTALLS YOUR POOL IS AN INDEPENDENT CONTRACTOR AND IS NOT AN AGENT OF THE MANUFACTURER. THE CONSTRUCTION METHODS ILLUSTRATED HERE ARE SUGGESTIONS AND APPLY ONLY TO NORMAL GROUND CONDITIONS. THERE MAY BE ADDITIONAL PRECAUTIONS AND/OR METHODS OF CONSTRUCTION. PROPER INSTALLATION IS THE RESPONSIBILITY OF THE DEALER/BUILDER/CONTRACTOR.

ITEM	FILE NAME	DESCRIPTION	CUSTOMER DRAWING #	VENDOR PART #	QTY.
1	PANEL, RADIUS	PANEL, 7' RADIUS, 8' LONG, LIGHT, 600 SERIES	HPSD7R8L	00001434	1
2	PANEL, RADIUS	PANEL, 7' RADIUS, 2' LONG, 600 SERIES	HPSD7R2	00001420	3
3	PANEL, RADIUS	PANEL, 7' RADIUS, 1'-9" LONG, 600 SERIES	HPSCR2	00008492	1
4	PANEL, RADIUS	PANEL, 2' RADIUS, 3'-2" LONG, 600 SERIES	HPSD2R	0000287	4
5	PANEL, STRAIGHT	PANEL, 8' LONG, 1084, 600 SERIES	HPSD10884	00002006	1
6	PANEL, STRAIGHT	PANEL, 6' LONG, INLET, 600 SERIES	HPSD106I	00000221	1
7	PANEL, STRAIGHT	PANEL, 8' LONG, 600 SERIES	HPSD108P	00000687	1
8	PANEL, STRAIGHT	PANEL, 6' LONG, 600 SERIES	HPSD106P	00000676	1
9	PANEL, STRAIGHT	PANEL, 8' LONG, INLET, 600 SERIES	HPSD108I	00000699	2
10	PANEL, ANGLE	PANEL, ANGLE, 6" X 6" X 230°, 600 SERIES	HPSD6X6230	00001399	4
11	HS311N	STEP, 8' RADIUS, 4 TREAD, CANTILEVER	HS311N	HS311N	1
12	SBRACE	BRACE, FOLD OVER WITH TURNBUCKLE, STEEL, HPSFOB	HPSFOB	HPSFOB	20
13	BOLT, PACK	BOLT, FLANGE, 3/8-16 X 1", PACK (50)	HPS1916	HPS1916	5

ENGINEERING DRAWING NUMBER: 00018174	WEIGHT:	UNLESS OTHERWISE SPECIFIED DIMENSIONS ARE IN INCHES TOLERANCES DECIMALS: X ± .1 XX ± .01 XXX ± .001 XXXX ± .0005 ANGULAR: X ± 0.5 THIRD ANGLE PROJECTION	DESIGNED BY: RCOLBOCH	CREATION DATE: 5/23/2013	HYDRA POOLS
	VOLUME: Inch ³		DETAILED BY: JRITTENHOUSE	DETAILED DATE: 4/5/2018	
	COLOR:		LAST REVISED BY: rhouston	LAST REVISED DATE: 4/5/2018	
	HEAT TREAT: NA		MATERIAL:	TITLE: LAYOUT, 16'-3" X 31'-7", DOUBLE ROMAN END, 2' RADIUS, 8' DEEP, HS311N, 1084, 3-INLET, 600 SERIES	
FINISH: NA			PART NUMBER:	SCALE: 1:128	SIZE: A
TEXTURE: NA			00018174		SHEET: 1 OF 4



Area: 460.36ft ^2
Perimeter: 84.31ft
Volume = 17755 US gallons



NOTES:

1. THESE ARE FINISHED DIMENSIONS READY FOR THE LINER.
2. DIMENSIONS ARE FROM INSIDE POOL PANELS.
3. ROPE AND FLOAT ASSEMBLY SHOULD BE INSTALLED IN ACCORDANCE WITH CURRENT ANSI/ASPS/ICC REGULATIONS
4. HYDRA LINER TRACK FOR STEPS IS INSTALLED WITH THE BARB FACING THE RISER WALL ON THE STEP.

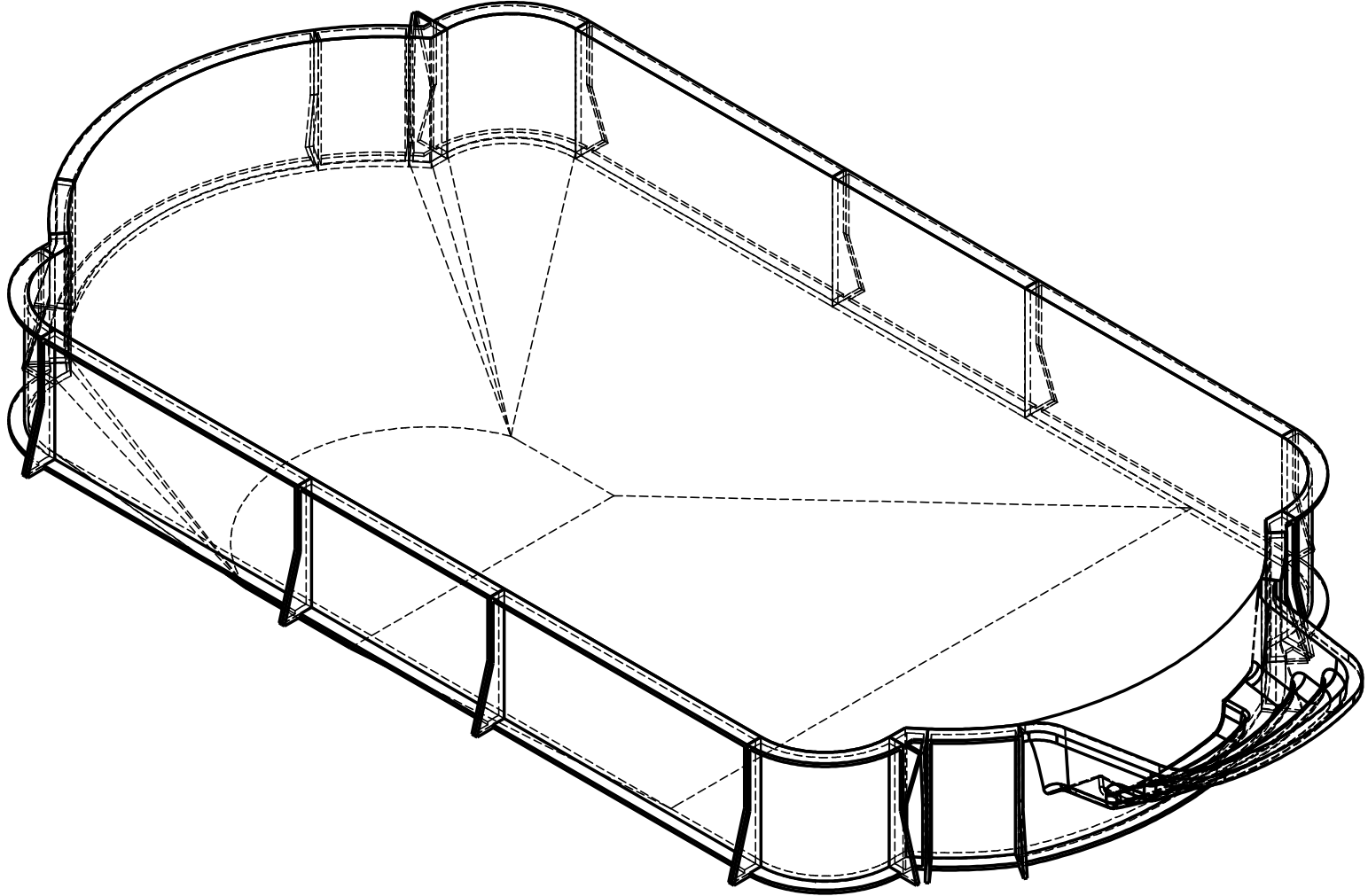
EXCAVATION NOTES:

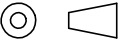
5. ROUGH EXCAVATION SHOULD BE 2" DEEPER IN EACH INSTANCE.
6. SOIL TO HAVE MINIMUM BEARING CAPACITY OF 1500 PSF.
7. LOCATE TOP OF POOL AT LEAST 6" ABOVE THE SURROUNDING LAND ELEVATION.
8. SEE "OVER DIG DETAIL" FOR EXCAVATION AROUND POOL.
9. FILL VOIDS UNDER BASE OF PANELS AND TAMP WELL.
10. BACK FILL WITH NON-EXPANSIVE MATERIAL.
11. FOLLOW ALL CURRENT ANSI / APSP / ICC GUIDELINES FOR RESIDENTIAL POOLS

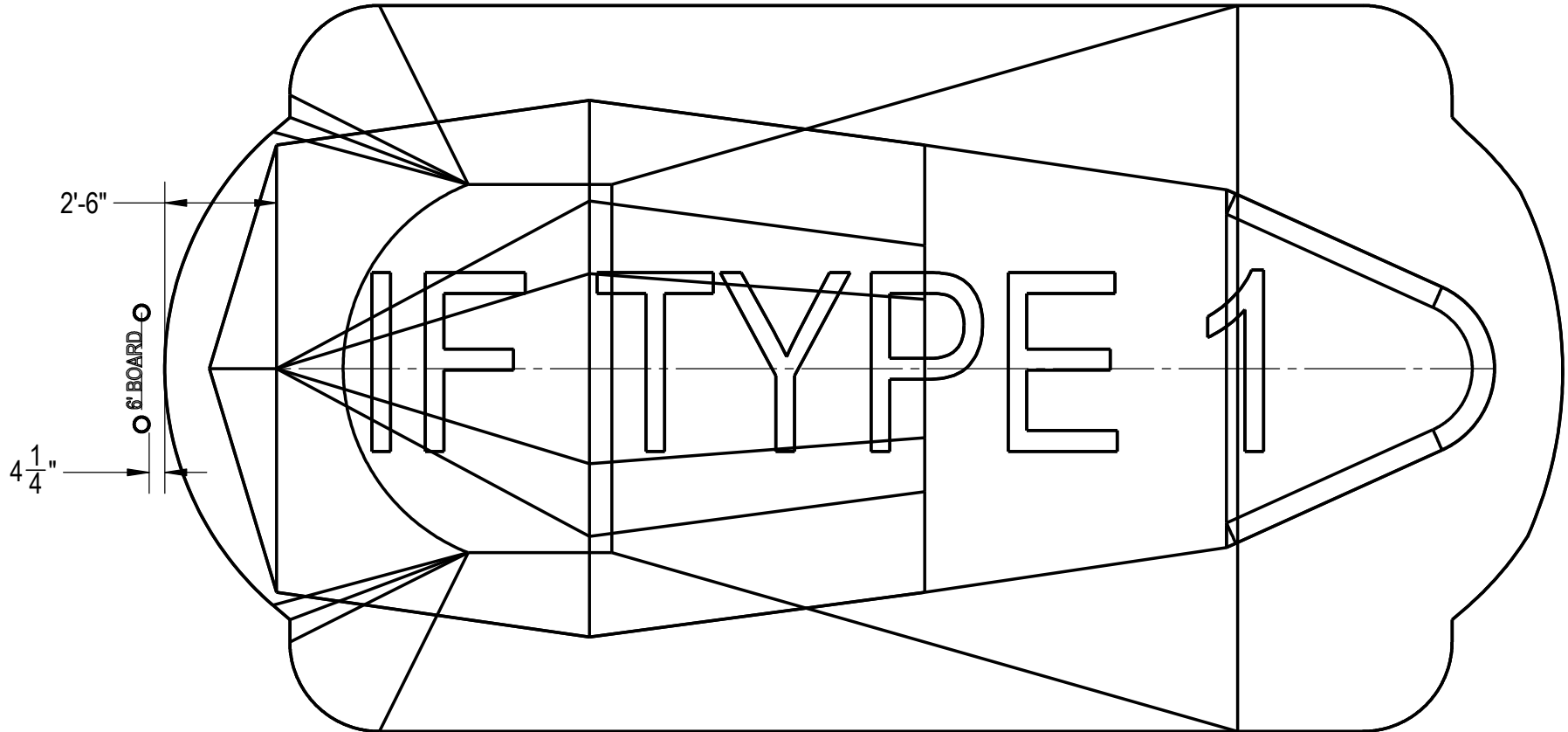
IMPORTANT NOTES:

THIS DOCUMENT IS FOR ILLUSTRATIVE PURPOSES ONLY. THE DEALER OR CONTRACTOR WHO SELLS OR INSTALLS YOUR POOL IS AN INDEPENDENT CONTRACTOR AND IS NOT AN AGENT OF THE MANUFACTURER. THE CONSTRUCTION METHODS ILLUSTRATED HERE ARE SUGGESTIONS AND APPLY ONLY TO NORMAL GROUND CONDITIONS. THERE MAY BE ADDITIONAL PRECAUTIONS AND/OR METHODS OF CONSTRUCTION. PROPER INSTALLATION IS THE RESPONSIBILITY OF THE DEALER/BUILDER/CONTRACTOR.

ENGINEERING DRAWING NUMBER: 00018174	WEIGHT:	UNLESS OTHERWISE SPECIFIED DIMENSIONS ARE IN INCHES TOLERANCES DECIMALS: X ± .1 XX ± .01 XXX ± .001 XXXX ± .0005 ANGULAR: X ± 0.5 THIRD ANGLE PROJECTION 	DESIGNED BY:	CREATION DATE:	HYDRA POOLS TITLE: LAYOUT, 16'-3" X 31'-7", DOUBLE ROMAN END, 2' RADIUS, 8' DEEP, HS311N, 1084, 3-INLET, 600 SERIES PART NUMBER: 00018174
	VOLUME: lbs Inch ³		DETAILED BY: JRITTENHOUSE	DETAILED DATE: 4/5/2018	
	COLOR:		LAST REVISED BY: rhouston	LAST REVISED DATE: 4/5/2018	
	HEAT TREAT: NA FINISH: NA TEXTURE: NA		MATERIAL:	SCALE: 1:128 SHEET: 2 OF 4	
SCALE: 1:128 SHEET: 2 OF 4		SIZE: A			



ENGINEERING DRAWING NUMBER: 00018174	WEIGHT:	UNLESS OTHERWISE SPECIFIED DIMENSIONS ARE IN INCHES TOLERANCES DECIMALS: X ± .1 XX ± .01 XXX ± .001 XXXX ± .0005 ANGULAR: X ± 0.5 THIRD ANGLE PROJECTION 	DESIGNED BY:	CREATION DATE:	HYDRA POOLS TITLE: LAYOUT, 16'-3" X 31'-7", DOUBLE ROMAN END, 2' RADIUS, 8' DEEP, HS311N, 1084, 3-INLET, 600 SERIES
	lbs		RCOLBOCH	5/23/2013	
	VOLUME:		DETAILED BY:	DETAILED DATE:	
	Inch ³		JRITTENHOUSE	4/5/2018	
	COLOR:		LAST REVISED BY:	LAST REVISED DATE:	
	NA		rhouston	4/5/2018	
HEAT TREAT:	MATERIAL:	PART NUMBER:	SCALE:	SIZE:	
NA		00018174	1:128	A	
FINISH:			SHEET:		
NA			3 OF 4		
TEXTURE:					
NA					



ENGINEERING DRAWING NUMBER: 00018174	WEIGHT:	UNLESS OTHERWISE SPECIFIED DIMENSIONS ARE IN INCHES TOLERANCES DECIMALS: X ± .1 XX ± .01 XXX ± .001 XXXX ± .0005 ANGULAR: X ± 0.5 THIRD ANGLE PROJECTION 	DESIGNED BY:	CREATION DATE:	HYDRA POOLS TITLE: LAYOUT, 16'-3" X 31'-7", DOUBLE ROMAN END, 2' RADIUS, 8' DEEP, HS311N, 1084, 3-INLET, 600 SERIES		
	lbs		RCOLBOCH	5/23/2013			
	VOLUME:		DETAILED BY:	DETAILED DATE:			
	Inch ³		JRITTENHOUSE	4/5/2018			
	COLOR:		LAST REVISED BY:	LAST REVISED DATE:	PART NUMBER:	SCALE:	SIZE:
	NA		rhouston	4/5/2018	00018174	1:128	A
HEAT TREAT:	MATERIAL:			4 OF 4			
NA							
FINISH:							
NA							
TEXTURE:							
NA							