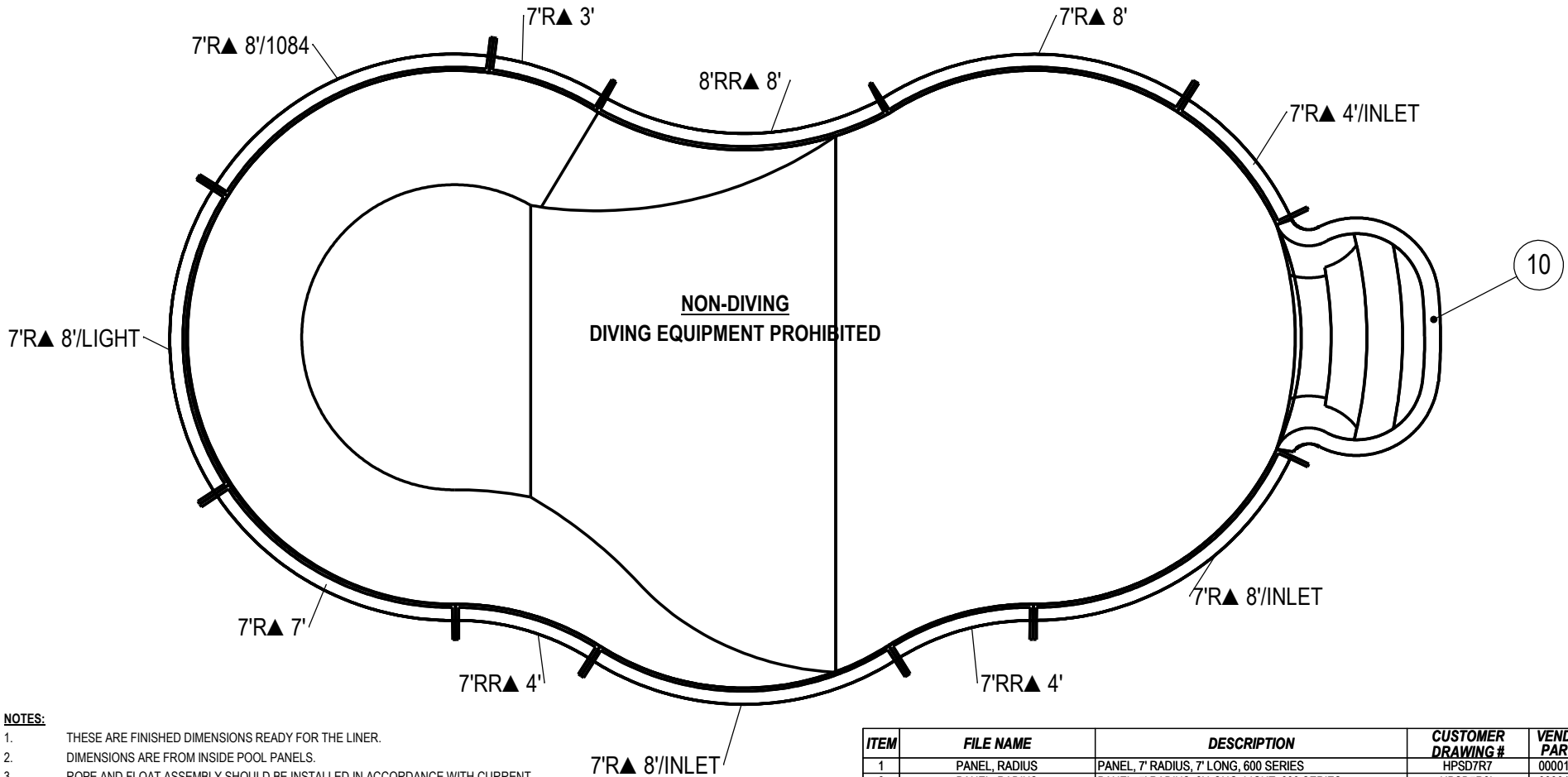


REVISION HISTORY				
REV.	DESCRIPTION	DATE	ECO	BY

MIRROR NUMBER: 00007021
CHECK IN DATE/TIME: Thursday, April 05, 2018 4:42:13 PM



NOTES:

- THESE ARE FINISHED DIMENSIONS READY FOR THE LINER.
- DIMENSIONS ARE FROM INSIDE POOL PANELS.
- ROPE AND FLOAT ASSEMBLY SHOULD BE INSTALLED IN ACCORDANCE WITH CURRENT ANSI/ASPS/ICC REGULATIONS
- HYDRA LINER TRACK FOR STEPS IS INSTALLED WITH THE BARB FACING THE RISER WALL ON THE STEP.

EXCAVATION NOTES:

- ROUGH EXCAVATION SHOULD BE 2" DEEPER IN EACH INSTANCE.
- SOIL TO HAVE MINIMUM BEARING CAPACITY OF 1500 PSF.
- LOCATE TOP OF POOL AT LEAST 6" ABOVE THE SURROUNDING LAND ELEVATION.
- SEE "OVER DIG DETAIL" FOR EXCAVATION AROUND POOL.
- FILL VOIDS UNDER BASE OF PANELS AND TAMP WELL.
- BACK FILL WITH NON-EXPANSIVE MATERIAL.
- FOLLOW ALL CURRENT ANSI / APSP / ICC GUIDELINES FOR RESIDENTIAL POOLS

IMPORTANT NOTES:

THIS DOCUMENT IS FOR ILLUSTRATIVE PURPOSES ONLY. THE DEALER OR CONTRACTOR WHO SELLS OR INSTALLS YOUR POOL IS AN INDEPENDENT CONTRACTOR AND IS NOT AN AGENT OF THE MANUFACTURER. THE CONSTRUCTION METHODS ILLUSTRATED HERE ARE SUGGESTIONS AND APPLY ONLY TO NORMAL GROUND CONDITIONS. THERE MAY BE ADDITIONAL PRECAUTIONS AND/OR METHODS OF CONSTRUCTION. PROPER INSTALLATION IS THE RESPONSIBILITY OF THE DEALER/BUILDER/CONTRACTOR.

ITEM	FILE NAME	DESCRIPTION	CUSTOMER DRAWING #	VENDOR PART #	QTY.
1	PANEL, RADIUS	PANEL, 7' RADIUS, 7' LONG, 600 SERIES	HPSD7R7	00001426	1
2	PANEL, RADIUS	PANEL, 7' RADIUS, 8' LONG, LIGHT, 600 SERIES	HPSD7R8L	00001434	1
3	PANEL, RADIUS	PANEL, 7' RADIUS, 8' LONG, 1084, 600 SERIES	HPS7R884	00002362	1
4	PANEL, RADIUS	PANEL, 7' RADIUS, 8' LONG, INLET, 600 SERIES	HPS7R8I	00000270	2
5	PANEL, RADIUS	PANEL, 7' RADIUS, 3' LONG, 600 SERIES	HPSD7R3	00001422	1
6	PANEL, RADIUS	PANEL, 7' RADIUS, 4' LONG, INLET, 600 SERIES	HPSCR5	00008154	1
7	PANEL, RADIUS	PANEL, 7' RADIUS, 8' LONG, 600 SERIES	HPSD7R8	00000335	1
8	PANEL, RR	PANEL, 7' REVERSE RADIUS, 4' LONG, 600 SERIES	HPSD7RR4	00002245	2
9	PANEL, RR	PANEL, 8' REVERSE RADIUS, 8' LONG, 600 SERIES	HPSD8RR8	00000347	1
10	HS111N	STEP, 6' RADIUS, 4 TREAD	HS111N	HS111N	1
11	SBRACE	BRACE, FOLD OVER WITH TURNBUCKLE, STEEL, HPSFOB	HPSFOB	HPSFOB	12
12	BOLT, PACK	BOLT, FLANGE, 3/8-16 X 1", PACK (50)	HPS1916	HPS1916	3

UNLESS OTHERWISE SPECIFIED

DESIGNED BY: **BUMPHREY**
 DETAILED BY: **JRITTENHOUSE**
 LAST REVISED BY: **rhouston**
 MATERIAL:

CREATION DATE: **7/19/2013**
 DETAILED DATE: **4/5/2018**
 LAST REVISED DATE: **4/5/2018**

WEIGHT: 113703.1 lbs
 VOLUME: Inch³
 COLOR:
 HEAT TREAT:
 FINISH:
 TEXTURE:

DIMENSIONS ARE IN INCHES
 TOLERANCES
 DECIMALS: X ± .1
 XX ± .01
 XXX ± .001
 XXXX ± .0005

ANGULAR: X ± 0.5
 THIRD ANGLE PROJECTION

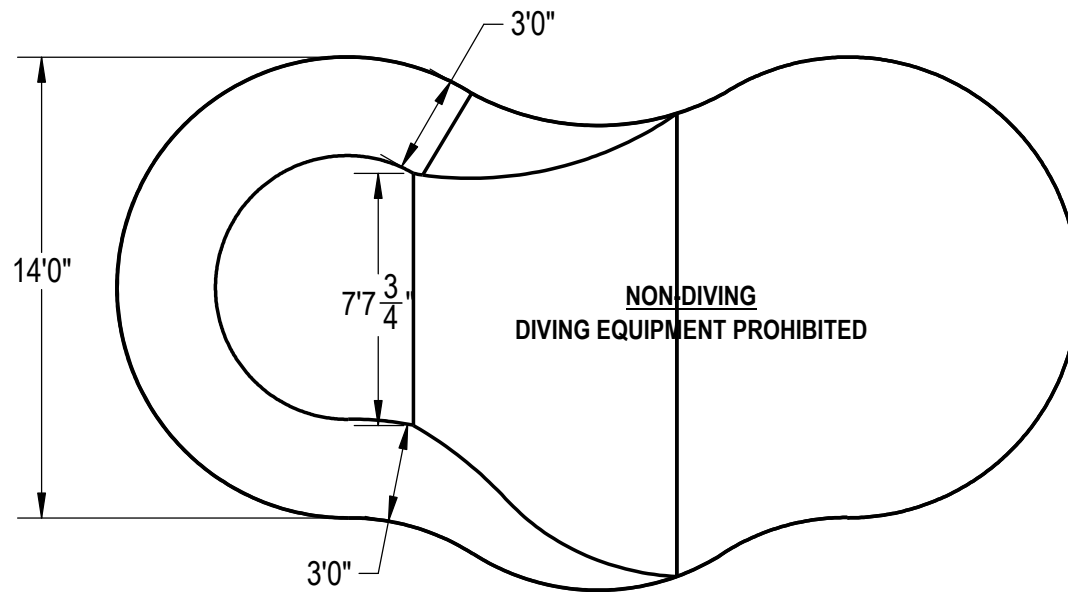
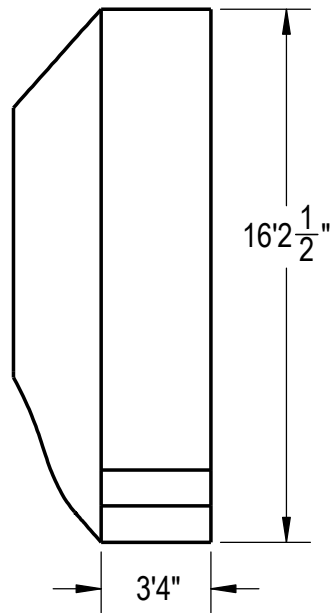
ENGINEERING DRAWING NUMBER: 00018220

HYDRA POOLS

TITLE: LAYOUT, 14' X 29', LAGOON, RIGHT, 6' DEEP, HS111N, 1084, 3-INLET, 600 SERIES

PART NUMBER: **00018220**

SCALE: 1:128
 SHEET: 1 OF 4
 SIZE: A



Area: 367.35ft ^2
Perimeter: 76.00ft
Volume = 11514 US gallons

NOTES:

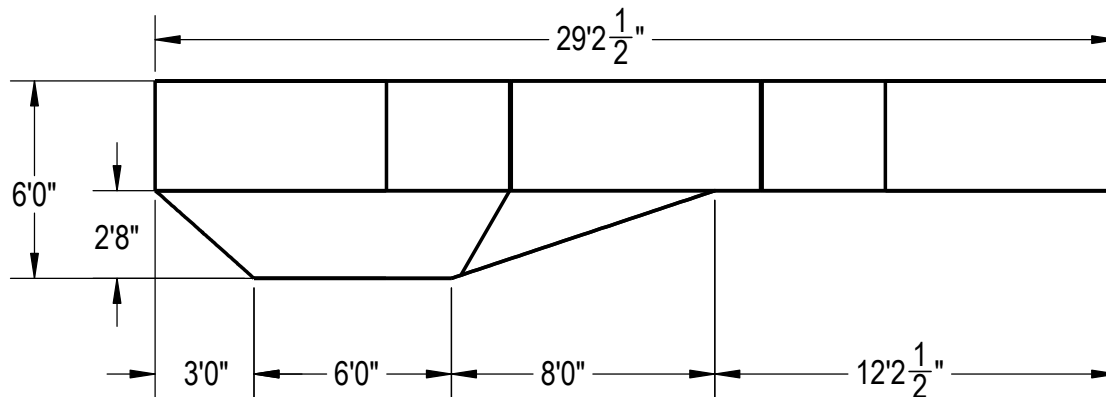
1. THESE ARE FINISHED DIMENSIONS READY FOR THE LINER.
2. DIMENSIONS ARE FROM INSIDE POOL PANELS.
3. ROPE AND FLOAT ASSEMBLY SHOULD BE INSTALLED IN ACCORDANCE WITH CURRENT ANSI/ASPS/ICC REGULATIONS
4. HYDRA LINER TRACK FOR STEPS IS INSTALLED WITH THE BARB FACING THE RISER WALL ON THE STEP.

EXCAVATION NOTES:

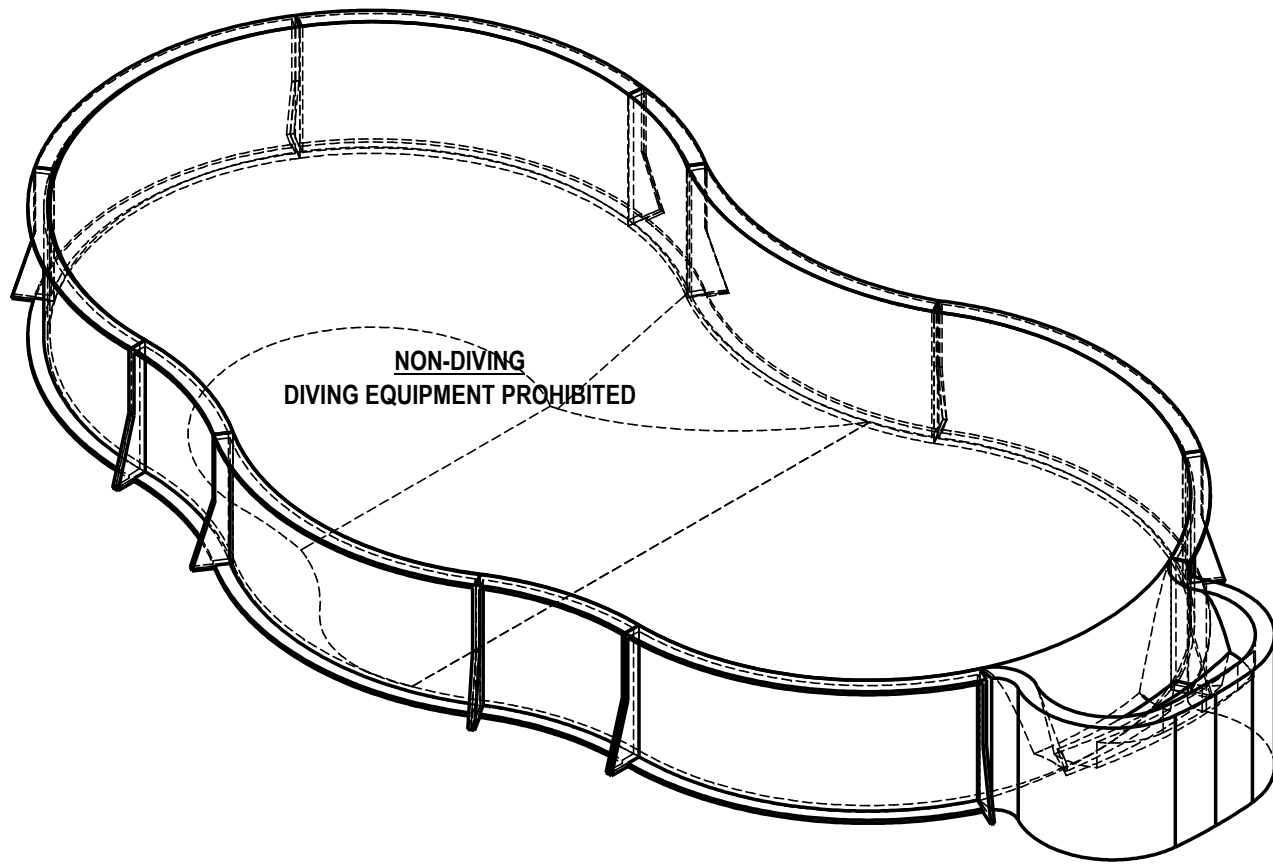
5. ROUGH EXCAVATION SHOULD BE 2" DEEPER IN EACH INSTANCE.
6. SOIL TO HAVE MINIMUM BEARING CAPACITY OF 1500 PSF.
7. LOCATE TOP OF POOL AT LEAST 6" ABOVE THE SURROUNDING LAND ELEVATION.
8. SEE "OVER DIG DETAIL" FOR EXCAVATION AROUND POOL.
9. FILL VOIDS UNDER BASE OF PANELS AND TAMP WELL.
10. BACK FILL WITH NON-EXPANSIVE MATERIAL.
11. FOLLOW ALL CURRENT ANSI / APSP / ICC GUIDELINES FOR RESIDENTIAL POOLS

IMPORTANT NOTES:

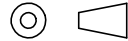
THIS DOCUMENT IS FOR ILLUSTRATIVE PURPOSES ONLY. THE DEALER OR CONTRACTOR WHO SELLS OR INSTALLS YOUR POOL IS AN INDEPENDENT CONTRACTOR AND IS NOT AN AGENT OF THE MANUFACTURER. THE CONSTRUCTION METHODS ILLUSTRATED HERE ARE SUGGESTIONS AND APPLY ONLY TO NORMAL GROUND CONDITIONS. THERE MAY BE ADDITIONAL PRECAUTIONS AND/OR METHODS OF CONSTRUCTION. PROPER INSTALLATION IS THE RESPONSIBILITY OF THE DEALER/BUILDER/CONTRACTOR.

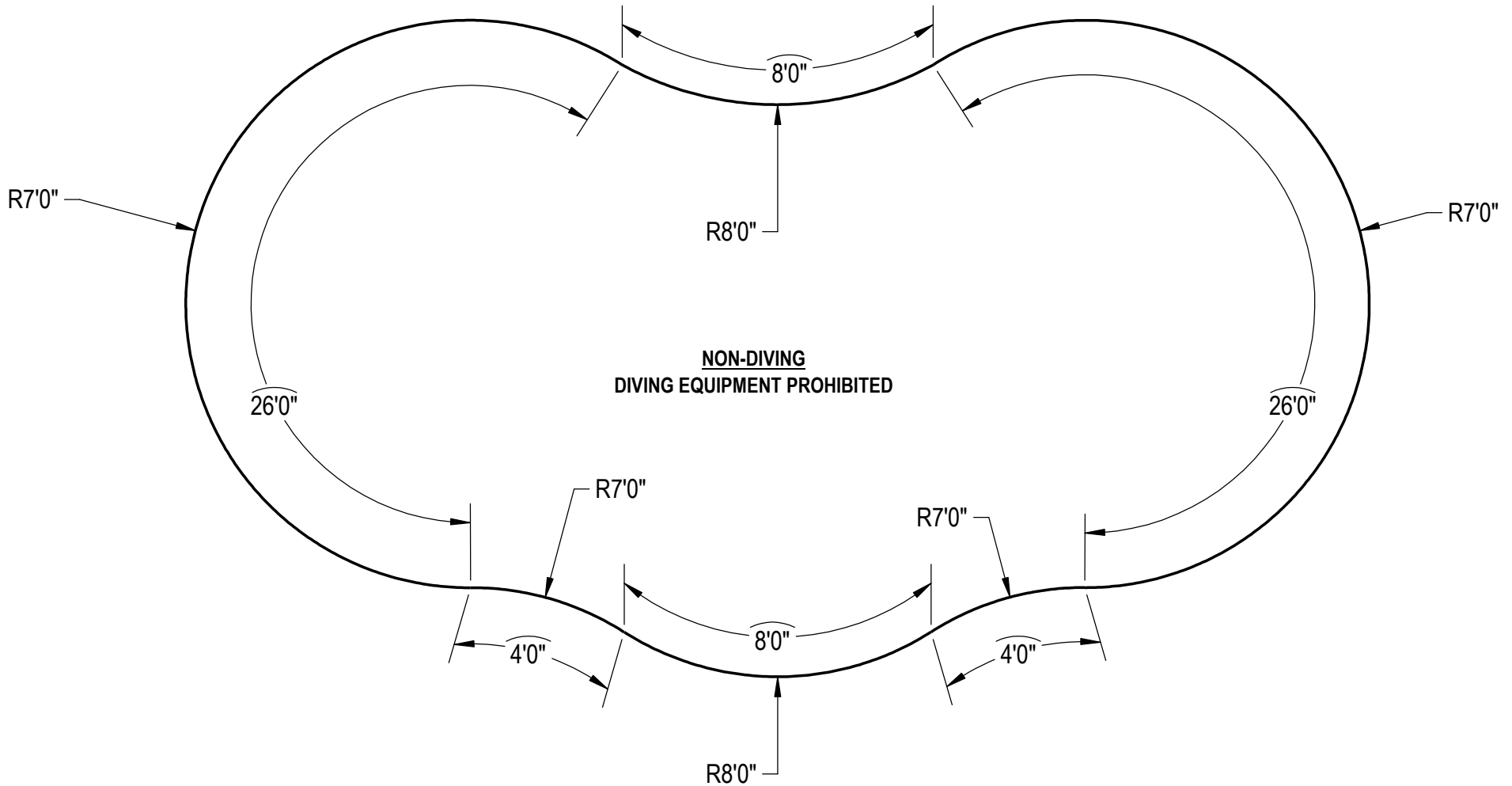


ENGINEERING DRAWING NUMBER: 00018220	WEIGHT:	UNLESS OTHERWISE SPECIFIED DIMENSIONS ARE IN INCHES TOLERANCES DECIMALS: X ± .1 XX ± .01 XXX ± .001 XXXX ± .0005 ANGULAR: X ± 0.5 THIRD ANGLE PROJECTION 	DESIGNED BY:	CREATION DATE:	HYDRA POOLS TITLE: LAYOUT, 14' X 29', LAGOON, RIGHT, 6' DEEP, HS111N, 1084, 3-INLET, 600 SERIES PART NUMBER: 00018220
	lbs		BUMPHREY	1/3/2012	
	VOLUME:		DETAILED BY:	DETAILED DATE:	
	Inch ³		JRITTENHOUSE	4/5/2018	
	NA		LAST REVISED BY:	LAST REVISED DATE:	
COLOR:	rhouston	4/5/2018	MATERIAL:		
HEAT TREAT:				SCALE:	SIZE:
NA				1:128	A
FINISH:				SHEET:	
NA				2 OF 4	
TEXTURE:					
NA					



**NON-DIVING
DIVING EQUIPMENT PROHIBITED**

ENGINEERING DRAWING NUMBER: 00018220	WEIGHT: 113703.1 lbs	UNLESS OTHERWISE SPECIFIED DIMENSIONS ARE IN INCHES TOLERANCES DECIMALS: X ± .1 XX ± .01 XXX ± .001 XXXX ± .0005 ANGULAR: X ± 0.5 THIRD ANGLE PROJECTION 	DESIGNED BY: BUMPHREY	CREATION DATE: 7/19/2013	HYDRA POOLS			
	VOLUME: Inch ³		DETAILED BY: JRITTENHOUSE	DETAILED DATE: 4/5/2018				
	COLOR:		LAST REVISED BY: rhouston	LAST REVISED DATE: 4/5/2018	TITLE: LAYOUT, 14' X 29', LAGOON, RIGHT, 6' DEEP, HS111N, 1084, 3-INLET, 600 SERIES			
	HEAT TREAT:		MATERIAL:					
	FINISH:		PART NUMBER:				SCALE: 1:128	SIZE: A
	TEXTURE:		00018220				SHEET: 3 OF 4	



ENGINEERING DRAWING NUMBER: 00018220	WEIGHT:	UNLESS OTHERWISE SPECIFIED DIMENSIONS ARE IN INCHES TOLERANCES DECIMALS: X ± .1 XX ± .01 XXX ± .001 XXXX ± .0005 ANGULAR: X ± 0.5 THIRD ANGLE PROJECTION 	DESIGNED BY:	CREATION DATE:	HYDRA POOLS TITLE: LAYOUT, 14' X 29', LAGOON, RIGHT, 6' DEEP, HS111N, 1084, 3-INLET, 600 SERIES		
	lbs		BUMPHREY	1/3/2012			
	VOLUME:		DETAILED BY:	DETAILED DATE:			
	Inch ³		JRITTENHOUSE	4/5/2018			
	COLOR:		LAST REVISED BY:	LAST REVISED DATE:	PART NUMBER:	SCALE:	SIZE:
	NA		rhouston	4/5/2018	00018220	1:128	A
HEAT TREAT:	MATERIAL:			4 OF 4			
NA							
FINISH:							
NA							
TEXTURE:							
NA							