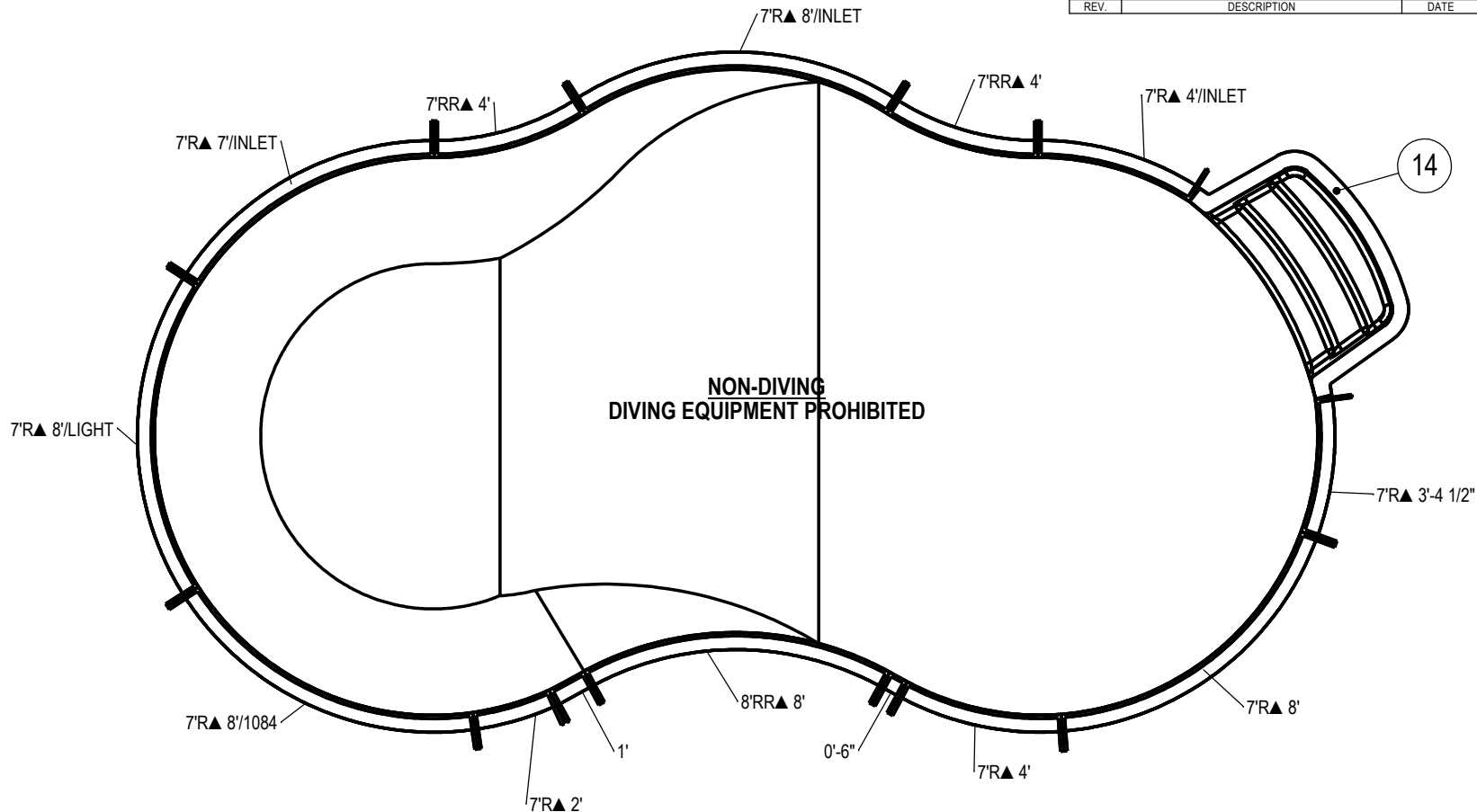


REVISION HISTORY				
REV.	DESCRIPTION	DATE	ECO	BY

MIRROR NUMBER: 00018219  
CHECK IN DATE/TIME: Thursday, April 05, 2018 4:34:42 PM



**NOTES:**

1. THESE ARE FINISHED DIMENSIONS READY FOR THE LINER.
2. DIMENSIONS ARE FROM INSIDE POOL PANELS.
3. ROPE AND FLOAT ASSEMBLY SHOULD BE INSTALLED IN ACCORDANCE WITH CURRENT ANSI/ASPS/ICC REGULATIONS
4. HYDRA LINER TRACK FOR STEPS IS INSTALLED WITH THE BARB FACING THE RISER WALL ON THE STEP.

**EXCAVATION NOTES:**

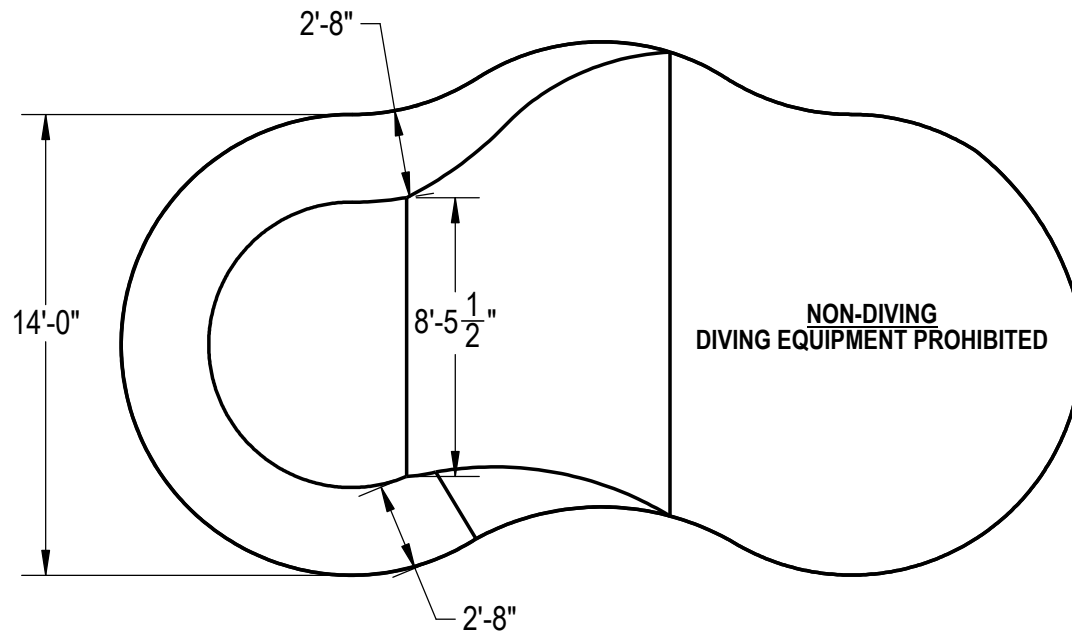
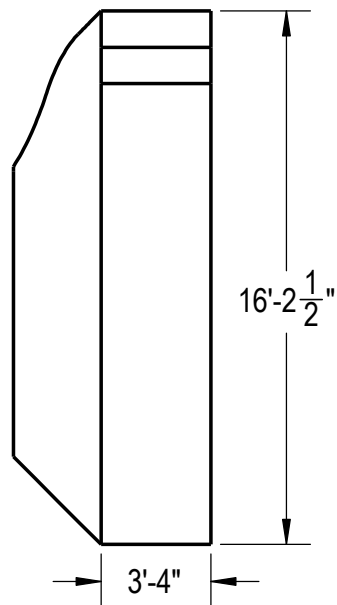
5. ROUGH EXCAVATION SHOULD BE 2" DEEPER IN EACH INSTANCE.
6. SOIL TO HAVE MINIMUM BEARING CAPACITY OF 1500 PSF.
7. LOCATE TOP OF POOL AT LEAST 6" ABOVE THE SURROUNDING LAND ELEVATION.
8. SEE "OVER DIG DETAIL" FOR EXCAVATION AROUND POOL.
9. FILL VOIDS UNDER BASE OF PANELS AND TAMP WELL.
10. BACK FILL WITH NON-EXPANSIVE MATERIAL.
11. FOLLOW ALL CURRENT ANSI / APSP / ICC GUIDELINES FOR RESIDENTIAL POOLS

**IMPORTANT NOTES:**

THIS DOCUMENT IS FOR ILLUSTRATIVE PURPOSES ONLY. THE DEALER OR CONTRACTOR WHO SELLS OR INSTALLS YOUR POOL IS AN INDEPENDENT CONTRACTOR AND IS NOT AN AGENT OF THE MANUFACTURER. THE CONSTRUCTION METHODS ILLUSTRATED HERE ARE SUGGESTIONS AND APPLY ONLY TO NORMAL GROUND CONDITIONS. THERE MAY BE ADDITIONAL PRECAUTIONS AND/OR METHODS OF CONSTRUCTION. PROPER INSTALLATION IS THE RESPONSIBILITY OF THE DEALER/BUILDER/CONTRACTOR.

ITEM	FILE NAME	DESCRIPTION	CUSTOMER DRAWING #	VENDOR PART #	QTY.
1	PANEL, RADIUS	PANEL, 7' RADIUS, 7' LONG, INLET, 600 SERIES	HPSCR8	00008491	1
2	PANEL, RADIUS	PANEL, 7' RADIUS, 8' LONG, LIGHT, 600 SERIES	HPSD7R8L	00001434	1
3	PANEL, RADIUS	PANEL, 7' RADIUS, 8' LONG, 1084, 600 SERIES	HPS7R884	00002362	1
4	PANEL, RADIUS	PANEL, 7' RADIUS, 8' LONG, INLET, 600 SERIES	HPS7R8I	00000270	1
5	PANEL, RADIUS	PANEL, 7' RADIUS, 2' LONG, 600 SERIES	HPSD7R2	00001420	1
6	PANEL, RADIUS	PANEL, 7' RADIUS, 8' LONG, 600 SERIES	HPSD7R8	00000335	1
7	PANEL, RADIUS	PANEL, 7' RADIUS, 4' LONG, 600 SERIES	HPSD7R4	00000134	1
8	PANEL, RADIUS	PANEL, 7' RADIUS, 4' LONG, INLET, 600 SERIES	HPSCR5	00008154	1
9	PANEL, RADIUS	PANEL, 7' RADIUS, 3'-4 1/2" LONG, 600 SERIES	HPSCR4	00009098	1
10	PANEL, RR	PANEL, 7' REVERSE RADIUS, 4' LONG, 600 SERIES	HPSD7RR4	00002245	2
11	PANEL, RR	PANEL, 8' REVERSE RADIUS, 8' LONG, 600 SERIES	HPSD8RR8	00000347	1
12	PANEL, STRAIGHT	PANEL, 1' LONG, 600 SERIES	HPSD101P	00000621	1
13	PANEL, STRAIGHT	PANEL, 0'-6" LONG, 600 SERIES	HPSD6P	00001405	1
14	HS103N	STEP, 6' RADIUS, 3 TREAD	HS103N	HS103N	1
15	SBRACE	BRACE, FOLD OVER WITH TURNBUCKLE, STEEL, HPSFOB	HPSFOB	HPSFOB	15
16	BOLT, PACK	BOLT, FLANGE, 3/8-16 X 1", PACK (50)	HPS1916	HPS1916	4

ENGINEERING DRAWING NUMBER: <b>00018219</b>	WEIGHT: 111277.6 lbs	UNLESS OTHERWISE SPECIFIED DIMENSIONS ARE IN INCHES TOLERANCES DECIMALS: X ± .1 XX ± .01 XXX ± .001 XXXX ± .0005  ANGULAR: X ± 0.5 THIRD ANGLE PROJECTION	DESIGNED BY: <b>BUMPHREY</b>	CREATION DATE: <b>7/19/2013</b>	<b>HYDRA POOLS</b>	
	VOLUME: Inch <sup>3</sup>		DETAILED BY: <b>JRITTENHOUSE</b>	DETAILED DATE: <b>4/5/2018</b>		
	COLOR:		LAST REVISED BY: <b>rhouston</b>	LAST REVISED DATE: <b>4/5/2018</b>		
	HEAT TREAT:		MATERIAL:	TITLE: <b>LAYOUT, 14' X 29' LAGOON, LEFT, 6' DEEP, HS103N, LIGHT, 1084, 3 INLETS, 600 SERIES</b>		
FINISH:				PART NUMBER:	SCALE: 1:52	SIZE: A
TEXTURE:					<b>00018219</b>	1 OF 7



**Area: 366.57ft ^2**  
**Perimeter: 75.88ft**  
**Volume = 11507 US gallons**

**NOTES:**

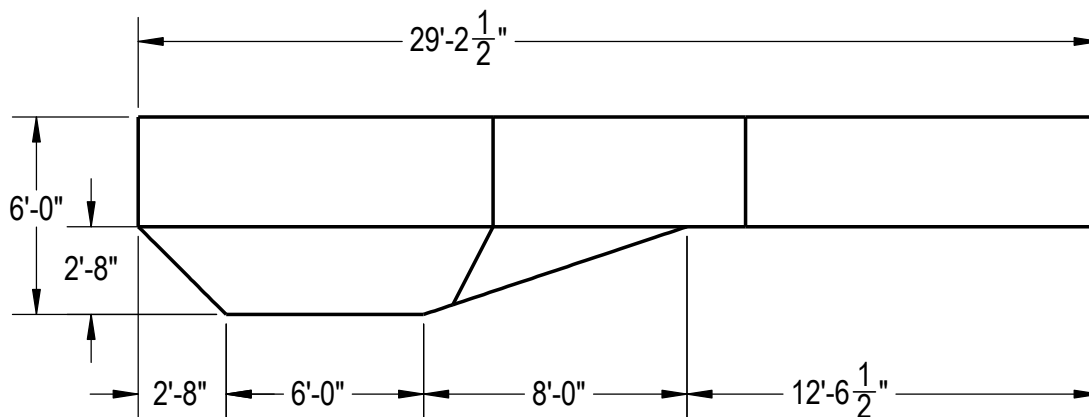
1. THESE ARE FINISHED DIMENSIONS READY FOR THE LINER.
2. DIMENSIONS ARE FROM INSIDE POOL PANELS.
3. ROPE AND FLOAT ASSEMBLY SHOULD BE INSTALLED IN ACCORDANCE WITH CURRENT ANSI/ASPS/ICC REGULATIONS
4. HYDRA LINER TRACK FOR STEPS IS INSTALLED WITH THE BARB FACING THE RISER WALL ON THE STEP.

**EXCAVATION NOTES:**

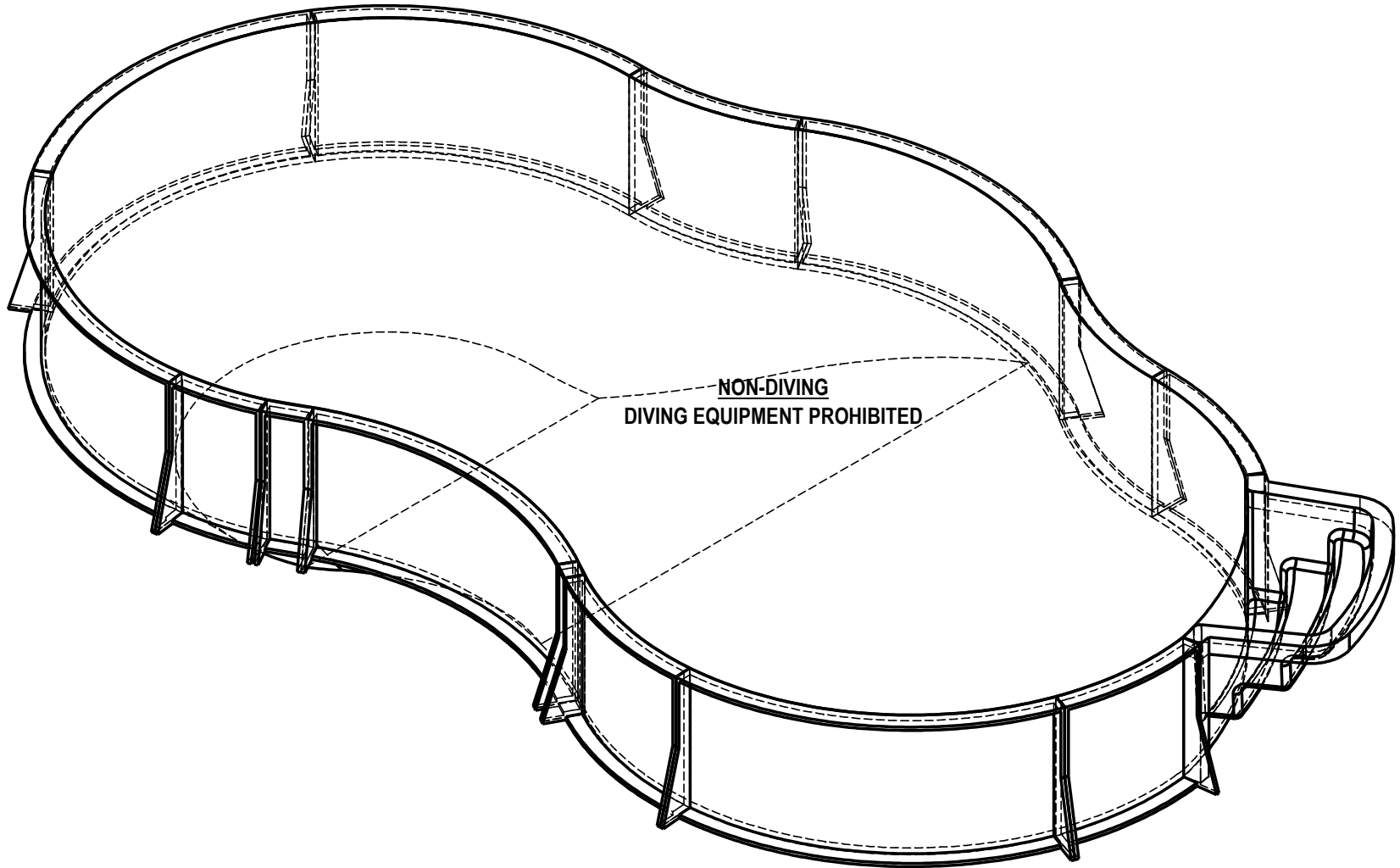
5. ROUGH EXCAVATION SHOULD BE 2" DEEPER IN EACH INSTANCE.
6. SOIL TO HAVE MINIMUM BEARING CAPACITY OF 1500 PSF.
7. LOCATE TOP OF POOL AT LEAST 6" ABOVE THE SURROUNDING LAND ELEVATION.
8. SEE "OVER DIG DETAIL" FOR EXCAVATION AROUND POOL.
9. FILL VOIDS UNDER BASE OF PANELS AND TAMP WELL.
10. BACK FILL WITH NON-EXPANSIVE MATERIAL.
11. FOLLOW ALL CURRENT ANSI / APSP / ICC GUIDELINES FOR RESIDENTIAL POOLS

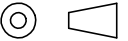
**IMPORTANT NOTES:**

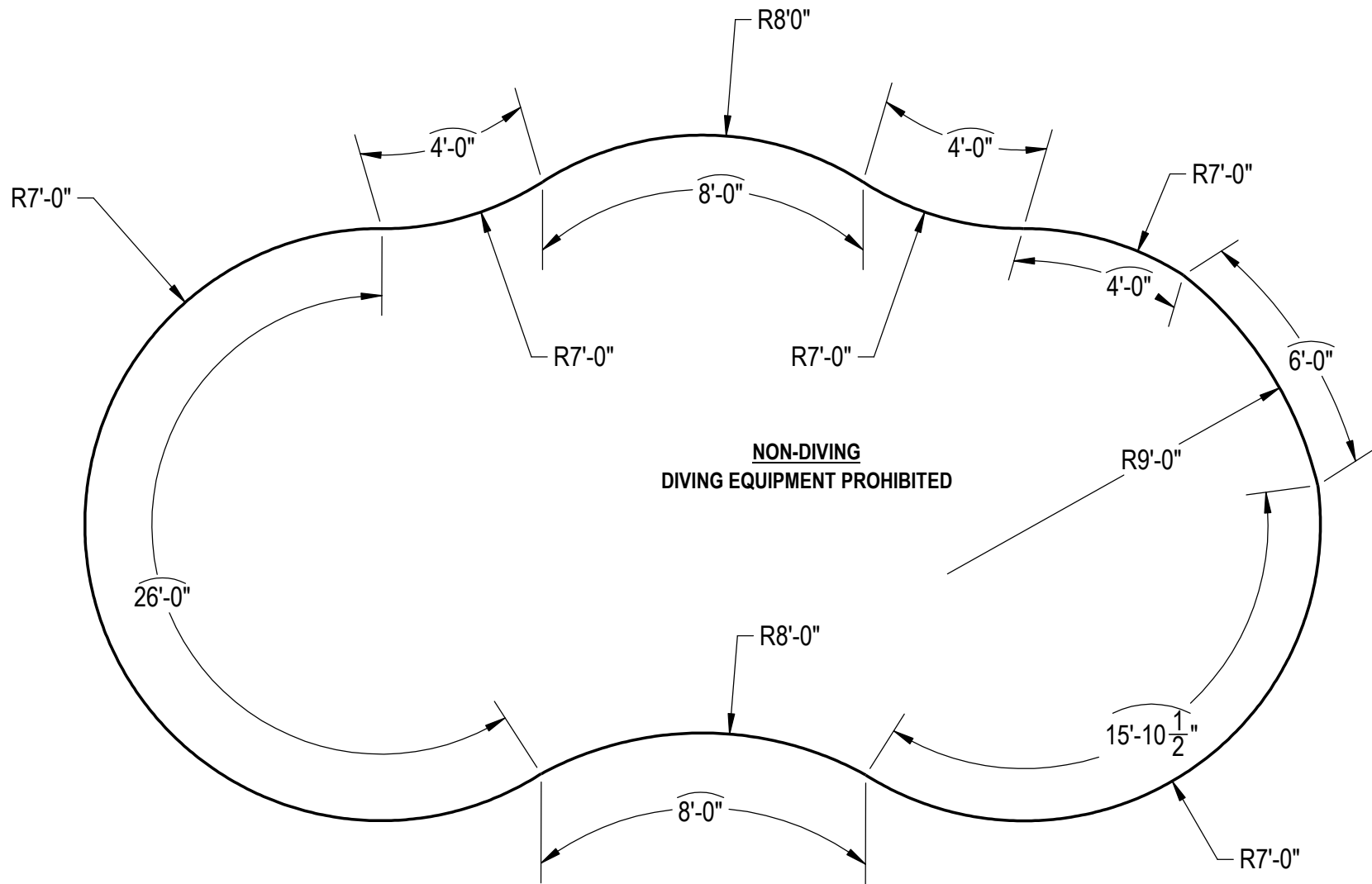
THIS DOCUMENT IS FOR ILLUSTRATIVE PURPOSES ONLY. THE DEALER OR CONTRACTOR WHO SELLS OR INSTALLS YOUR POOL IS AN INDEPENDENT CONTRACTOR AND IS NOT AN AGENT OF THE MANUFACTURER. THE CONSTRUCTION METHODS ILLUSTRATED HERE ARE SUGGESTIONS AND APPLY ONLY TO NORMAL GROUND CONDITIONS. THERE MAY BE ADDITIONAL PRECAUTIONS AND/OR METHODS OF CONSTRUCTION. PROPER INSTALLATION IS THE RESPONSIBILITY OF THE DEALER/BUILDER/CONTRACTOR.



ENGINEERING DRAWING NUMBER: <b>00018219</b>	WEIGHT:	<b>UNLESS OTHERWISE SPECIFIED</b> DIMENSIONS ARE IN INCHES TOLERANCES DECIMALS: X ± .1 XX ± .01 XXX ± .001 XXXX ± .0005  ANGULAR: X ± 0.5 THIRD ANGLE PROJECTION 	DESIGNED BY:	CREATION DATE:	<b>HYDRA POOLS</b>  TITLE: LAYOUT, 14' X 29' LAGOON, LEFT, 6" DEEP, HS103N, LIGHT, 1084, 3 INLETS, 600 SERIES  PART NUMBER: <span style="font-size: 2em; font-weight: bold;">00018219</span>
	lbs		BUMPHREY	1/3/2012	
	VOLUME:		DETAILED BY:	4/5/2018	
	Inch <sup>3</sup>		JRITTENHOUSE	4/5/2018	
	NA		LAST REVISED BY:	4/5/2018	
COLOR:	rhouston	MATERIAL:	SCALE:	SIZE:	
HEAT TREAT:			1:128	A	
FINISH:			SHEET:		
NA			2 OF 7		
TEXTURE:					
NA					



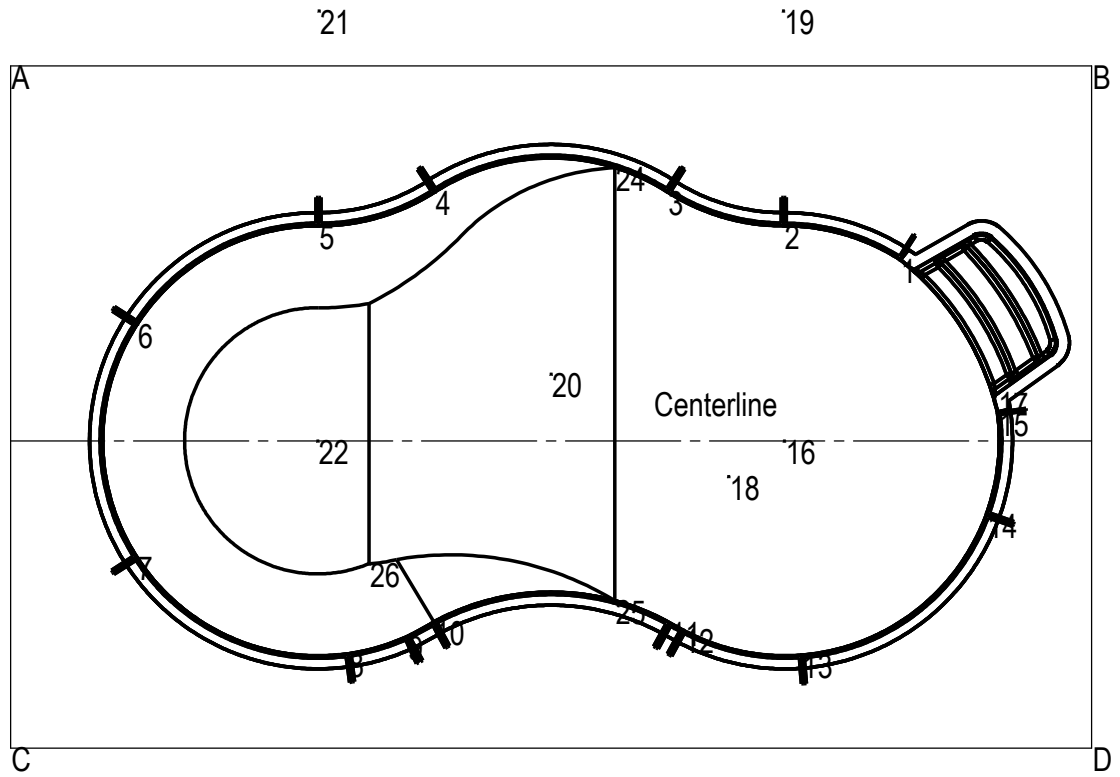
ENGINEERING DRAWING NUMBER: <b>00018219</b>	WEIGHT: 111277.6 lbs	<b>UNLESS OTHERWISE SPECIFIED</b> DIMENSIONS ARE IN INCHES TOLERANCES DECIMALS: X ± .1 XX ± .01 XXX ± .001 XXXX ± .0005 ANGULAR: X ± 0.5 THIRD ANGLE PROJECTION 	DESIGNED BY: <b>BUMPHREY</b>	CREATION DATE: 7/19/2013	<b>HYDRA POOLS</b>  TITLE: LAYOUT, 14' X 29' LAGOON, LEFT, 6' DEEP, HS103N, LIGHT, 1084, 3 INLETS, 600 SERIES
	VOLUME: Inch <sup>3</sup>		DETAILED BY: <b>JRITTENHOUSE</b>	DETAILED DATE: 4/5/2018	
	COLOR:		LAST REVISED BY: <b>rhouston</b>	LAST REVISED DATE: 4/5/2018	
	HEAT TREAT:		MATERIAL:	PART NUMBER: <b>00018219</b>	
	FINISH:			SCALE: 1:128	
	TEXTURE:			SHEET: 3 OF 7	
			SIZE: <b>A</b>		



ENGINEERING DRAWING NUMBER: <b>00018219</b>	WEIGHT:	<b>UNLESS OTHERWISE SPECIFIED</b> DIMENSIONS ARE IN INCHES TOLERANCES DECIMALS: X ± .1 XX ± .01 XXX ± .001 XXXX ± .0005  ANGULAR: X ± 0.5 THIRD ANGLE PROJECTION 	DESIGNED BY:	CREATION DATE:	<b>HYDRA POOLS</b>  TITLE: LAYOUT, 14' X 29' LAGOON, LEFT, 6' DEEP, HS103N, LIGHT, 1084, 3 INLETS, 600 SERIES
	lbs		<b>BUMPHREY</b>	1/3/2012	
	VOLUME:		DETAILED BY:	DETAILED DATE:	
	Inch <sup>3</sup>		<b>JRITTENHOUSE</b>	4/5/2018	
	COLOR:		LAST REVISED BY:	LAST REVISED DATE:	
	NA		<b>rhouston</b>	4/5/2018	
HEAT TREAT:	MATERIAL:	PART NUMBER:	SCALE:	SIZE:	
NA		<b>00018219</b>	1:128	A	
FINISH:			SHEET:		
NA			4 OF 7		
TEXTURE:					
NA					

	A	B	C	D
1	29' 7-1/2"	8' 10-1/2"	33' 0-1/2"	17' 1"
2	25' 8-1/2"	11' 3-1/2"	30' 4-1/2"	19' 9"
3	21' 9"	14' 5"	28' 0"	22' 9-1/2"
4	14' 5"	21' 9-1/2"	22' 9"	28' 0"
5	11' 3-1/2"	25' 8-1/2"	19' 9"	30' 4-1/2"
6	9' 4-1/2"	32' 2-1/2"	14' 5"	33' 12"
7	16' 6"	34' 11-1/2"	7' 5-1/2"	31' 8-1/2"
8	22' 1"	30' 10-1/2"	11' 5"	24' 5"
9	22' 7-1/2"	29' 0"	13' 5"	22' 7"
10	22' 9"	28' 0-1/2"	14' 4-1/2"	21' 9-1/2"
11	28' 1"	22' 9"	21' 10"	14' 4"
12	28' 7"	22' 8"	22' 2-1/2"	13' 10"
13	32' 1-1/2"	21' 4-1/2"	25' 11"	9' 11"
14	34' 11-1/2"	14' 12"	32' 8"	8' 4"
15	34' 0-1/2"	11' 8"	33' 11-1/2"	11' 4-1/2"
16	27' 12"	15' 9-1/2"	27' 1"	14' 1-1/2"
17	33' 10"	11' 1"	34' 1-1/2"	11' 11-1/2"
18	26' 11"	17' 10"	24' 12"	14' 9"
19	25' 2-1/2"	10' 2-1/2"	34' 9"	26' 0"
20	20' 3"	20' 3"	21' 5"	21' 5"
21	10' 2-1/2"	25' 2-1/2"	26' 0"	34' 9"
22	15' 9-1/2"	27' 12"	14' 1-1/2"	27' 1"
23	30' 8"	30' 8"	17' 10"	17' 10"
24	19' 11-1/2"	15' 10-1/2"	27' 3-1/2"	24' 5-1/2"
25	26' 3"	23' 4"	20' 3"	16' 3"
26	19' 11-1/2"	28' 7"	13' 1-1/2"	24' 3-1/2"
A	-	35' 2-1/2"	22' 2-1/2"	41' 7-1/2"

Centerline	
1	5' 11"
2	6' 12"
3	8' 1-1/2"
4	8' 1"
5	6' 12"
6	3' 9-1/2"
7	3' 9-1/2"
8	6' 11"
9	6' 4-1/2"
10	5' 10-1/2"
11	5' 11"
12	6' 2"
13	6' 11-1/2"
14	2' 4-1/2"
15	0' 11"
16	0' 0"
17	1' 6-1/2"
18	1' 2"
19	13' 12"
20	2' 2"
21	13' 12"
22	0' 0"
23	12' 11"
24	8' 11"
25	5' 2-1/2"
26	4' 0"



ENGINEERING DRAWING NUMBER:  
**00018219**

**UNLESS OTHERWISE SPECIFIED**  
 DIMENSIONS ARE IN INCHES  
 TOLERANCES  
 DECIMALS: X ± .1  
               XX ± .01  
               XXX ± .001  
               XXXX ± .0005  
 ANGULAR: X ± 0.5  
 THIRD ANGLE PROJECTION

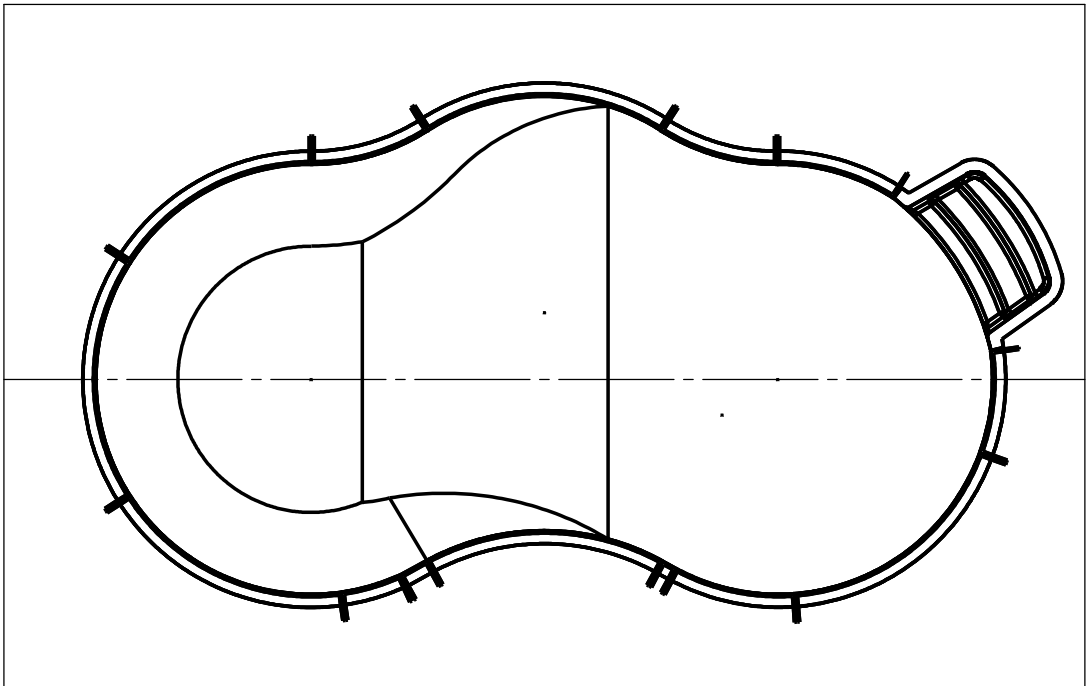
DESIGNED BY: <b>BUMPHREY</b>	CREATION DATE: <b>7/19/2013</b>
DETAILED BY: <b>JRITTENHOUSE</b>	DETAILED DATE: <b>4/5/2018</b>
LAST REVISED BY: <b>rhouston</b>	LAST REVISED DATE: <b>4/5/2018</b>
MATERIAL:	

**HYDRA POOLS**

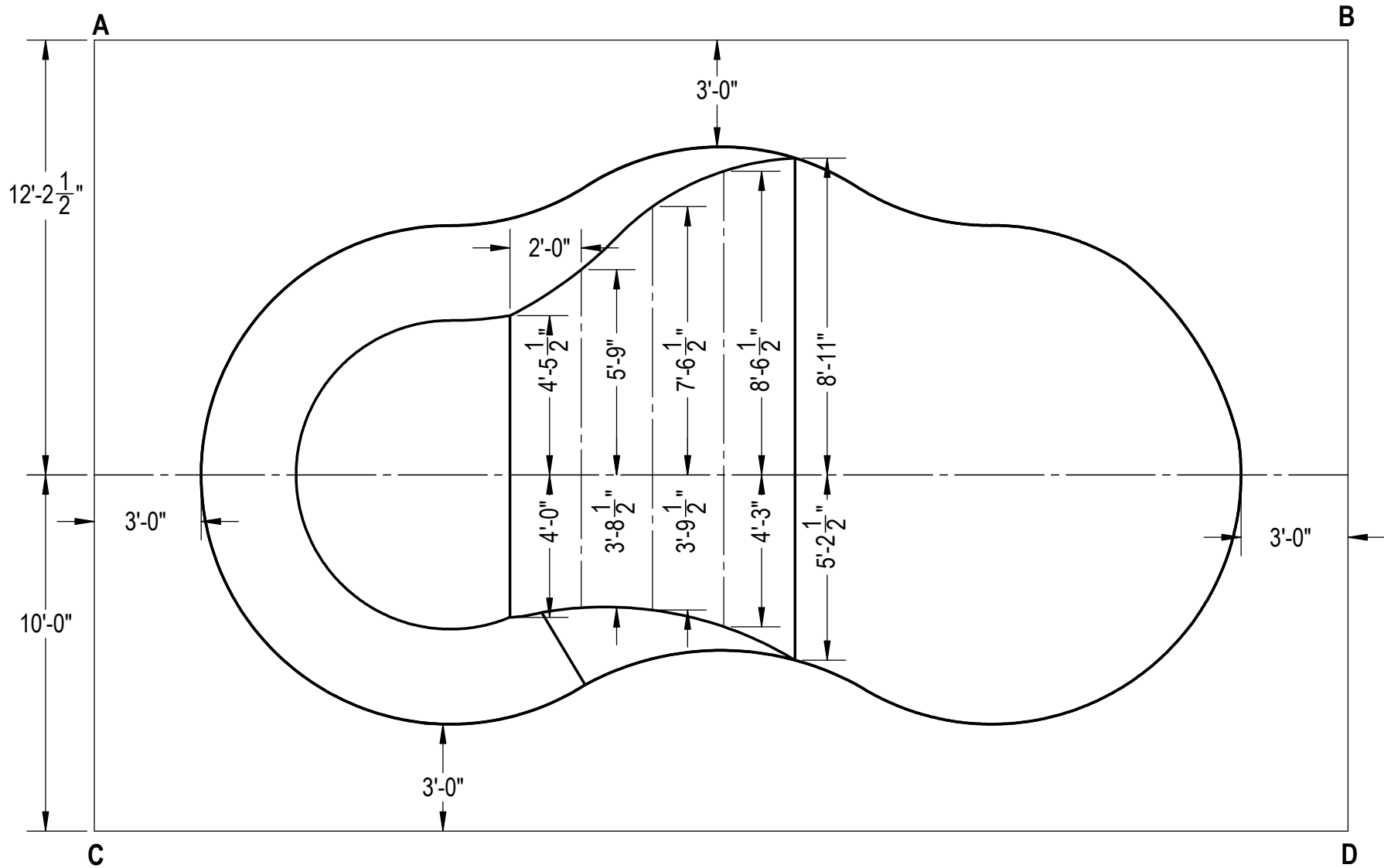
TITLE: **LAYOUT, 14' X 29' LAGOON, LEFT, 6' DEEP, HS103N, LIGHT, 1084, 3 INLETS, 600 SERIES**

PART NUMBER: <b>00018219</b>	SCALE: 1:128	SIZE: <b>A</b>
	SHEET: 5 OF 7	

Diagonal	8 to 9	1' 12"	12 to 17	12' 9-1/2"	15 to 17	0' 7-1/2"	18 to 26	12' 0-1/2"	19 to 26	22' 6"	21 to 4	7' 0"	22 to 7	7' 0"	23 to 25	8' 0"	25 to 7	15' 7-1/2"	
1 to 2	3' 11-1/2"	10 to 2	17' 2-1/2"	12 to 18	5' 2-1/2"	15 to 18	9' 0"	19 to 2	7' 0"	20 to 3	7' 0-1/2"	21 to 5	7' 0"	22 to 8	7' 0"	23 to 26	10' 8-1/2"	25 to 8	8' 10"
1 to 3	7' 10-1/2"	10 to 3	15' 11"	12 to 19	20' 5"	15 to 19	14' 9-1/2"	19 to 3	7' 0"	20 to 4	7' 0-1/2"	21 to 6	11' 9-1/2"	22 to 9	7' 0"	24 to 3	1' 10-1/2"	25 to 9	6' 10-1/2"
1 to 4	15' 3-1/2"	10 to 4	13' 12"	12 to 20	9' 4-1/2"	15 to 20	14' 7"	19 to 4	12' 9-1/2"	20 to 5	8' 12"	21 to 7	18' 9"	22 to 23	14' 12"	24 to 4	5' 11"	25 to 26	8' 1"
1 to 5	18' 11-1/2"	10 to 5	13' 5"	12 to 21	23' 4-1/2"	15 to 21	25' 8"	19 to 5	16' 8"	20 to 6	13' 7"	21 to 8	20' 11-1/2"	22 to 24	13' 1-1/2"	24 to 5	9' 10"	26 to 3	15' 6"
1 to 6	24' 11"	10 to 6	13' 8"	12 to 22	13' 4-1/2"	15 to 22	22' 2"	19 to 6	23' 4-1/2"	20 to 7	14' 9"	21 to 9	20' 7"	22 to 25	10' 11-1/2"	24 to 6	16' 4-1/2"	26 to 4	12' 3-1/2"
1 to 7	26' 8"	10 to 7	9' 11"	12 to 23	8' 0"	15 to 23	20' 1"	19 to 7	27' 6-1/2"	20 to 8	11' 3"	21 to 22	14' 0"	22 to 26	4' 4"	24 to 7	20' 1"	26 to 5	11' 1-1/2"
1 to 8	22' 1"	10 to 8	2' 11-1/2"	12 to 24	15' 2-1/2"	15 to 24	14' 9-1/2"	19 to 8	25' 3-1/2"	20 to 9	9' 9"	21 to 23	27' 11-1/2"	22 to 3	21' 4-1/2"	24 to 8	18' 0-1/2"	26 to 6	10' 10"
1 to 9	20' 2-1/2"	10 to 9	1' 0"	12 to 25	2' 5"	15 to 25	13' 10-1/2"	19 to 9	23' 9-1/2"	20 to 21	14' 0-1/2"	21 to 24	10' 11"	23 to 4	21' 4-1/2"	24 to 9	16' 8-1/2"	26 to 7	7' 7"
1 to 10	19' 2-1/2"	10 to 11	7' 8"	12 to 26	10' 5-1/2"	15 to 26	21' 0-1/2"	19 to 20	14' 0-1/2"	20 to 22	7' 11"	21 to 25	21' 5-1/2"	23 to 5	21' 4"	24 to 25	14' 1"	26 to 8	3' 0"
1 to 11	13' 12"	10 to 12	8' 1-1/2"	13 to 2	13' 12"	16 to 2	7' 0"	19 to 21	15' 1-1/2"	20 to 23	15' 1"	21 to 26	18' 1"	23 to 6	21' 5-1/2"	24 to 26	15' 2"	26 to 9	2' 8"
1 to 12	13' 11-1/2"	10 to 13	12' 0"	13 to 3	15' 8-1/2"	16 to 3	8' 11-1/2"	19 to 22	20' 7-1/2"	20 to 24	7' 0-1/2"	22 to 3	13' 11-1/2"	23 to 7	16' 3-1/2"	25 to 3	13' 5"		
1 to 13	13' 3-1/2"	10 to 14	18' 4"	13 to 4	19' 3"	16 to 4	13' 11-1/2"	19 to 23	27' 11-1/2"	20 to 25	7' 8"	22 to 4	8' 11-1/2"	23 to 8	8' 11"	25 to 4	14' 6-1/2"		
1 to 14	8' 9"	10 to 15	19' 7"	13 to 5	21' 0-1/2"	16 to 5	16' 8-1/2"	19 to 24	7' 6"	20 to 26	8' 6-1/2"	22 to 5	7' 0"	23 to 9	8' 0-1/2"	25 to 5	15' 6-1/2"		
1 to 15	5' 10-1/2"	10 to 16	12' 10"	13 to 6	24' 2"	16 to 6	21' 5"	19 to 25	19' 11-1/2"	21 to 3	12' 9-1/2"	22 to 6	7' 0"	23 to 24	21' 11"	25 to 6	17' 11-1/2"		
1 to 16	7' 0"	10 to 17	19' 9-1/2"	13 to 7	21' 10-1/2"	16 to 7	21' 5"												
1 to 17	5' 4-1/2"	10 to 18	10' 8-1/2"	13 to 8	14' 9"	16 to 8	15' 9-1/2"												
1 to 18	9' 0"	10 to 19	22' 11"	13 to 9	12' 10-1/2"	16 to 9	13' 10"												
1 to 19	8' 11-1/2"	10 to 20	8' 11"	13 to 14	7' 7"	16 to 17	7' 1"												
1 to 20	11' 11-1/2"	10 to 21	20' 3"	13 to 15	10' 2"	16 to 18	2' 2"												
1 to 21	20' 7"	10 to 22	7' 0"	13 to 16	7' 0"	16 to 19	14' 0"												
1 to 22	19' 10-1/2"	10 to 23	8' 0"	13 to 17	10' 8"	16 to 20	7' 11"												
1 to 23	21' 12"	10 to 24	15' 11"	13 to 18	6' 3-1/2"	16 to 21	20' 7-1/2"												
1 to 24	9' 9"	10 to 25	5' 11"	13 to 19	20' 12"	16 to 22	15' 2-1/2"												
1 to 25	14' 5-1/2"	10 to 26	2' 10"	13 to 20	12' 3"	16 to 23	14' 12"												
1 to 26	19' 11"	11 to 2	13' 5-1/2"	13 to 21	26' 2-1/2"	16 to 24	10' 5-1/2"												
2 to 3	3' 11-1/2"	11 to 3	14' 0"	13 to 22	17' 2-1/2"	16 to 25	7' 7"												
2 to 4	11' 5"	11 to 4	15' 11-1/2"	13 to 23	10' 1"	16 to 26	14' 1"												
2 to 5	15' 2"	11 to 5	17' 3"	13 to 24	16' 12"	17 to 2	8' 10"												
2 to 6	21' 3-1/2"	11 to 6	19' 10-1/2"	13 to 25	6' 4"	17 to 3	12' 7"												
2 to 7	23' 8"	11 to 7	17' 5-1/2"	13 to 26	14' 4-1/2"	17 to 4	19' 5-1/2"												
2 to 8	19' 10-1/2"	11 to 8	10' 6"	14 to 2	11' 5-1/2"	17 to 5	22' 9"												
2 to 9	18' 1-1/2"	11 to 9	8' 6-1/2"	14 to 3	14' 9"	17 to 6	28' 1"												
2 to 20	8' 11-1/2"	11 to 12	0' 6"	14 to 4	20' 9-1/2"	17 to 7	28' 6"												
2 to 21	16' 8"	11 to 13	4' 5"	14 to 5	23' 8-1/2"	17 to 8	22' 9-1/2"												
2 to 22	16' 8-1/2"	11 to 14	10' 11"	14 to 6	28' 4"	17 to 9	20' 9-1/2"												
2 to 23	21' 4"	11 to 15	12' 8"	14 to 7	27' 8-1/2"	17 to 18	9' 2"												
2 to 24	5' 10"	11 to 16	6' 12"	14 to 8	21' 3-1/2"	17 to 19	14' 3"												
2 to 25	13' 4-1/2"	11 to 17	13' 0-1/2"	14 to 9	19' 3-1/2"	17 to 20	14' 6-1/2"												
2 to 26	17' 5"	11 to 18	5' 1-1/2"	14 to 15	3' 4"	17 to 21	25' 4"												
3 to 4	7' 7"	11 to 19	20' 3"	14 to 16	7' 0"	17 to 22	22' 2"												
3 to 5	11' 5"	11 to 20	8' 11-1/2"	14 to 17	3' 11-1/2"	17 to 23	20' 6"												
3 to 6	17' 9-1/2"	11 to 21	22' 11-1/2"	14 to 18	8' 6"	17 to 24	14' 5-1/2"												
3 to 7	20' 11-1/2"	11 to 22	12' 10-1/2"	14 to 19	17' 8"	17 to 25	14' 2"												
3 to 8	18' 3-1/2"	11 to 23	8' 0"	14 to 20	14' 10-1/2"	17 to 26	21' 2-1/2"												
3 to 9	16' 9-1/2"	11 to 24	14' 11"	14 to 21	27' 2-1/2"	18 to 2	8' 4"												
4 to 5	3' 11-1/2"	11 to 25	1' 11"	14 to 22	21' 11"	18 to 3	9' 5-1/2"												
4 to 6	10' 7"	11 to 26	9' 11-1/2"	14 to 23	17' 8"	18 to 4	13' 4"												
4 to 7	15' 4"	12 to 2	13' 6-1/2"	14 to 24	16' 6-1/2"	18 to 5	15' 8"												
4 to 8	15' 3-1/2"	12 to 3	14' 3"	14 to 25	12' 5"	18 to 6	19' 10-1/2"												
4 to 9	14' 6"	12 to 4	16' 4-1/2"	14 to 26	20' 2"	18 to 7	19' 5-1/2"												
5 to 6	6' 8-1/2"	12 to 5	17' 8-1/2"	15 to 2	9' 3"	18 to 8	13' 8"												
5 to 7	12' 3-1/2"	12 to 6	20' 4-1/2"	15 to 3	12' 11"	18 to 9	11' 8-1/2"												
5 to 8	13' 11-1/2"	12 to 7	17' 11-1/2"	15 to 4	19' 8"	18 to 19	15' 3"												
5 to 9	13' 8"	12 to 8	10' 11"	15 to 5	22' 11"	18 to 20	6' 8"												
6 to 7	7' 7"	12 to 9	8' 12"	15 to 6	28' 2"	18 to 21	20' 2-1/2"												
6 to 8	12' 9"	12 to 10	3' 11-1/2"	15 to 7	28' 5"	18 to 22	13' 5"												
6 to 9	13' 5"	12 to 11	10' 7"	15 to 8	22' 6-1/2"	18 to 23	13' 1-1/2"												
7 to 8	7' 7"	12 to 12	12' 5-1/2"	15 to 9	20' 7"	18 to 24	10' 8-1/2"												
7 to 9	9' 2"	12 to 13	6' 12"	15 to 16	7' 0"	18 to 25	5' 6"												



ENGINEERING DRAWING NUMBER: <b>00018219</b>	WEIGHT: 111277.6 lbs	UNLESS OTHERWISE SPECIFIED DIMENSIONS ARE IN INCHES TOLERANCES DECIMALS: X ± .1 XX ± .01 XXX ± .001 XXXX ± .0005  ANGULAR: X ± 0.5 THIRD ANGLE PROJECTION	DESIGNED BY: <b>BUMPHREY</b>	CREATION DATE: <b>7/19/2013</b>	<b>HYDRA POOLS</b>
	VOLUME: Inch <sup>3</sup>		DETAILED BY: <b>JRITTENHOUSE</b>	DETAILED DATE: <b>4/5/2018</b>	
	COLOR:		LAST REVISED BY: <b>rhouston</b>	LAST REVISED DATE: <b>4/5/2018</b>	
	HEAT TREAT:		MATERIAL:	TITLE: <b>LAYOUT, 14' X 29' LAGOON, LEFT, 6' DEEP, HS103N, LIGHT, 1084, 3 INLETS, 600 SERIES</b>	
	FINISH:			PART NUMBER: <b>00018219</b>	
TEXTURE:		SCALE: 1:128	SIZE: A		
					SHEET: 6 OF 7



ENGINEERING DRAWING NUMBER: <b>00018219</b>	WEIGHT: 111277.6 lbs	<b>UNLESS OTHERWISE SPECIFIED</b> DIMENSIONS ARE IN INCHES TOLERANCES DECIMALS: X ± .1 XX ± .01 XXX ± .001 XXXX ± .0005 ANGULAR: X ± 0.5 THIRD ANGLE PROJECTION 	DESIGNED BY: <b>BUMPHREY</b>	CREATION DATE: <b>7/19/2013</b>	<b>HYDRA POOLS</b>	
	VOLUME: Inch <sup>3</sup>		DETAILED BY: <b>JRITTENHOUSE</b>	DETAILED DATE: <b>4/5/2018</b>		
	COLOR:		LAST REVISED BY: <b>rhouston</b>	LAST REVISED DATE: <b>4/5/2018</b>		
	HEAT TREAT:		MATERIAL:		TITLE: <b>LAYOUT, 14' X 29' LAGOON, LEFT, 6' DEEP, HS103N, LIGHT, 1084, 3 INLETS, 600 SERIES</b>	
	FINISH:		PART NUMBER:		<b>00018219</b>	
	TEXTURE:		SCALE: 1:128			
				SHEET: 7 OF 7		