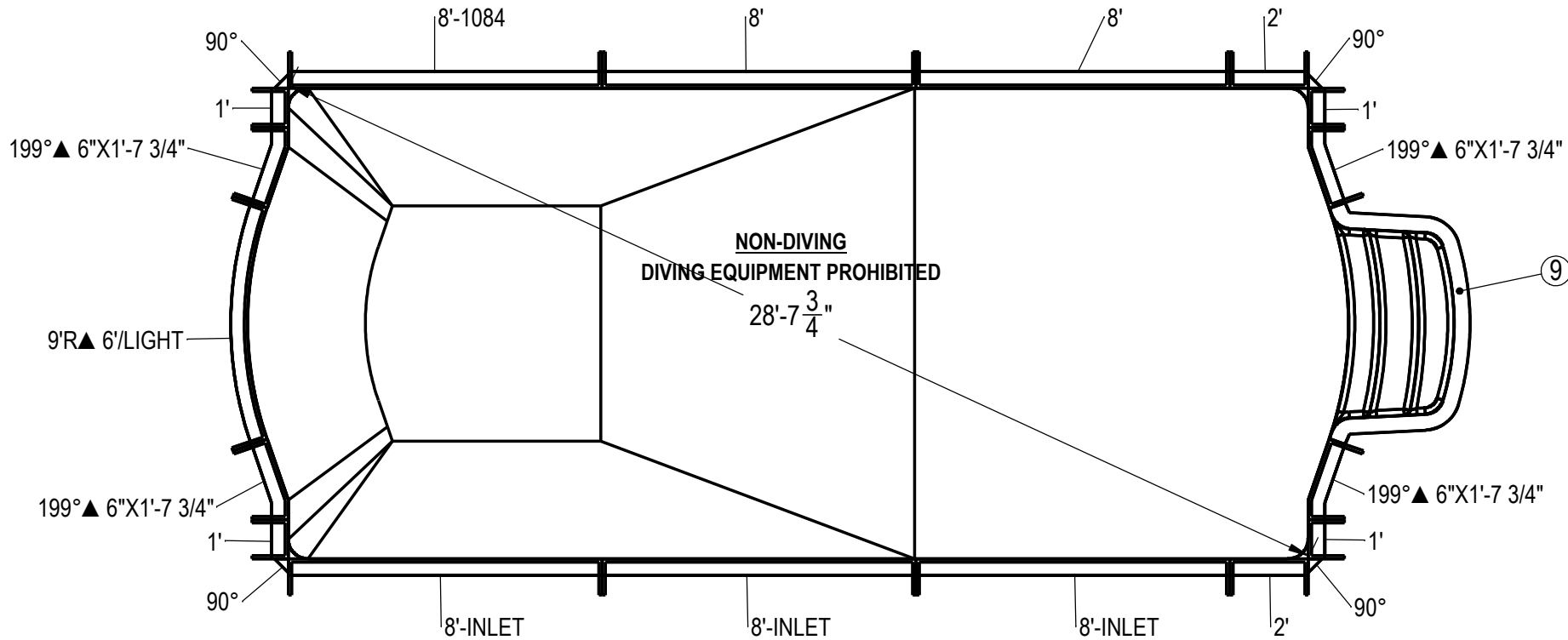


REVISION HISTORY				
REV.	DESCRIPTION	DATE	ECO	BY

MIRROR NUMBER: 00008229  
CHECK IN DATE/TIME: Wednesday, April 04, 2018 4:56:42 PM



**NOTES:**

1. THESE ARE FINISHED DIMENSIONS READY FOR THE LINER.
2. DIMENSIONS ARE FROM INSIDE POOL PANELS.
3. ROPE AND FLOAT ASSEMBLY SHOULD BE INSTALLED IN ACCORDANCE WITH CURRENT ANSI/ASPS/ICC REGULATIONS
4. HYDRA LINER TRACK FOR STEPS IS INSTALLED WITH THE BARB FACING THE RISER WALL ON THE STEP.

**EXCAVATION NOTES:**

5. ROUGH EXCAVATION SHOULD BE 2' DEEPER IN EACH INSTANCE.
6. SOIL TO HAVE MINIMUM BEARING CAPACITY OF 1500 PSF.
7. LOCATE TOP OF POOL AT LEAST 6" ABOVE THE SURROUNDING LAND ELEVATION.
8. SEE "OVER DIG DETAIL" FOR EXCAVATION AROUND POOL.
9. FILL VOIDS UNDER BASE OF PANELS AND TAMP WELL.
10. BACK FILL WITH NON-EXPANSIVE MATERIAL.
11. FOLLOW ALL CURRENT ANSI / AСП / ICC GUIDELINES FOR RESIDENTIAL POOLS

**IMPORTANT NOTES:**

THIS DOCUMENT IS FOR ILLUSTRATIVE PURPOSES ONLY. THE DEALER OR CONTRACTOR WHO SELLS OR INSTALLS YOUR POOL IS AN INDEPENDENT CONTRACTOR AND IS NOT AN AGENT OF THE MANUFACTURER. THE CONSTRUCTION METHODS ILLUSTRATED HERE ARE SUGGESTIONS AND APPLY ONLY TO NORMAL GROUND CONDITIONS. THERE MAY BE ADDITIONAL PRECAUTIONS AND/OR METHODS OF CONSTRUCTION. PROPER INSTALLATION IS THE RESPONSIBILITY OF THE DEALER/BUILDER/CONTRACTOR.

ITEM	FILE NAME	DESCRIPTION	CUSTOMER DRAWING #	VENDOR PART #	QTY.
1	PANEL, RADIUS	PANEL, 9' RADIUS, 6' LONG, LIGHT, 600 SERIES	HPSD9R6L	00000161	1
2	PANEL, STRAIGHT	PANEL, 1' LONG, 600 SERIES	HPSD101P	00000621	4
3	PANEL, STRAIGHT	PANEL, 8' LONG, 1084, 600 SERIES	HPSD10884	00002006	1
4	PANEL, STRAIGHT	PANEL, 8' LONG, 600 SERIES	HPSD108P	00000687	2
5	PANEL, STRAIGHT	PANEL, 8' LONG, INLET, 600 SERIES	HPSD108I	00000699	3
6	PANEL, STRAIGHT	PANEL, 2' LONG, 600 SERIES	HPSD102P	00000621	2
7	PANEL, ANGLE	PANEL, ANGLE, 6" X 1'-7 3/4" X 199°, 600 SERIES	HPSCE3	00008230	4
8	PANEL, WEDGE	WEDGE, 2 1/2" X 2 1/2" X 90°	HPSD90C	00000051	4
9	HS303N	STEP, 9' RADIUS, 3 TREAD, CANTILEVER	HS303N	HS303N	1
10	BOLT, PACK	BOLT, FLANGE, 3/8-16 X 1", PACK (50)	HPS1916	HPS1916	5
11	SBRACE	BRACE, FOLD OVER WITH TURNBUCKLE, STEEL, HPSFOB	HPSFOB	HPSFOB	22

ENGINEERING DRAWING NUMBER: <b>00018173</b>	WEIGHT: <b>101569.0 lbs</b>	<b>UNLESS OTHERWISE SPECIFIED</b> DIMENSIONS ARE IN INCHES TOLERANCES DECIMALS: X ± .1 XX ± .01 XXX ± .001 XXXX ± .0005  ANGULAR: X ± 0.5 THIRD ANGLE PROJECTION
	VOLUME: <b>Inch³</b>	
	COLOR:	
	HEAT TREAT:	
	FINISH:	
	TEXTURE:	

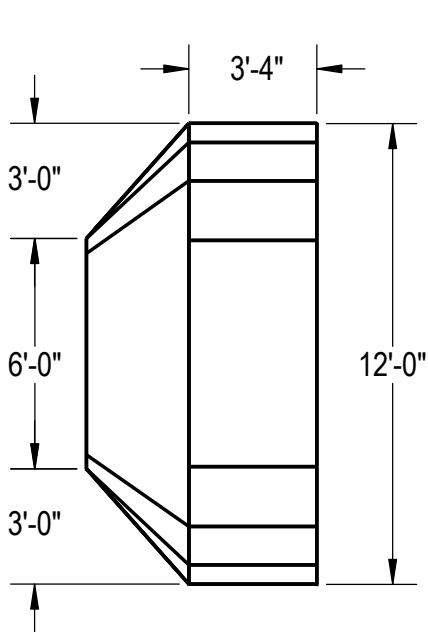
DESIGNED BY: <b>JBOSSEDET</b>	CREATION DATE: <b>1/7/2015</b>
DETAILED BY: <b>JRITTENHOUSE</b>	DETAILED DATE: <b>4/4/2018</b>
LAST REVISED BY: <b>rhouston</b>	LAST REVISED DATE: <b>4/4/2018</b>
MATERIAL:	

**HYDRA POOLS**

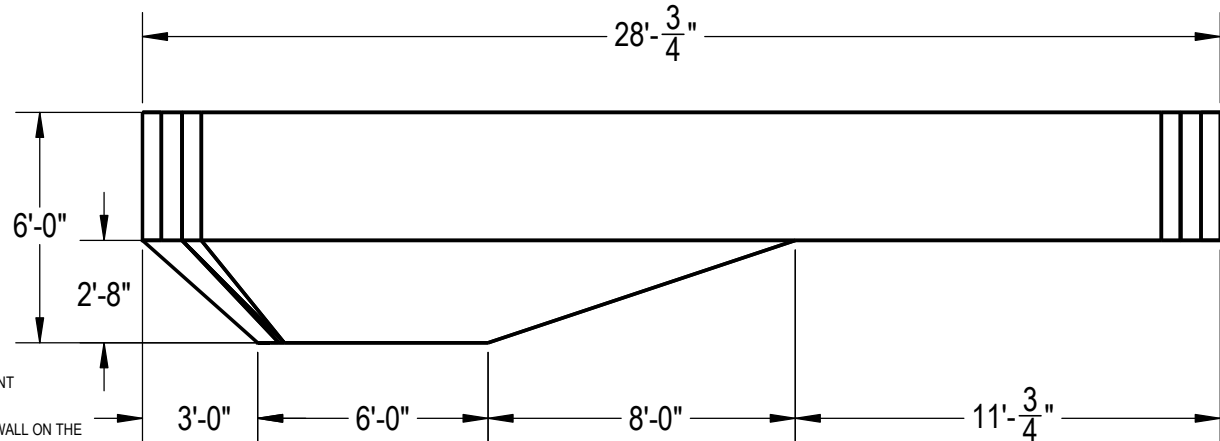
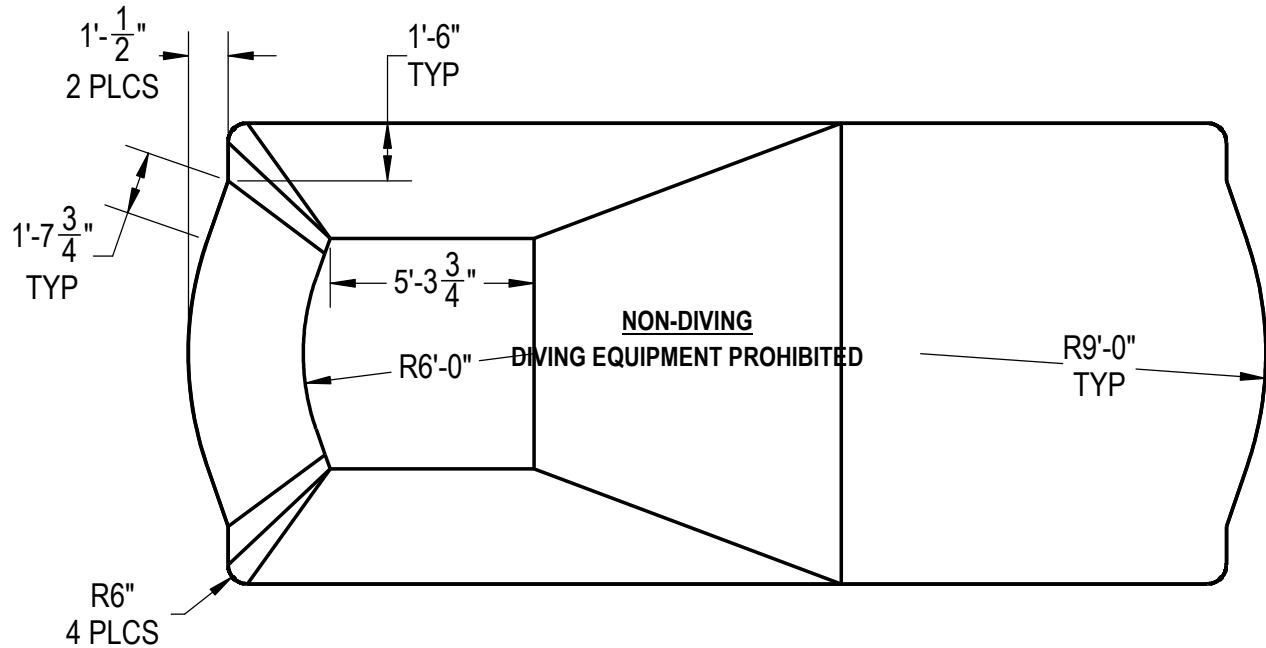
TITLE: **LAYOUT, 12' X 28', ROMAN DOUBLE, 2' RADIUS, 8' DEEP, HS110N, LIGHT, 3- INLET, 1084, 600 SERIES**

PART NUMBER: **00018173**

SCALE: 1:96  
SHEET: 1 OF 3  
SIZE: A



**Area: 323.72ft ^2**  
**Perimeter: 75.72ft**  
**Volume = 10172 US gallons**



**NOTES:**

- THESE ARE FINISHED DIMENSIONS READY FOR THE LINER.
- DIMENSIONS ARE FROM INSIDE POOL PANELS.
- ROPE AND FLOAT ASSEMBLY SHOULD BE INSTALLED IN ACCORDANCE WITH CURRENT ANSI/ASPS/ICC REGULATIONS
- HYDRA LINER TRACK FOR STEPS IS INSTALLED WITH THE BARB FACING THE RISER WALL ON THE STEP.

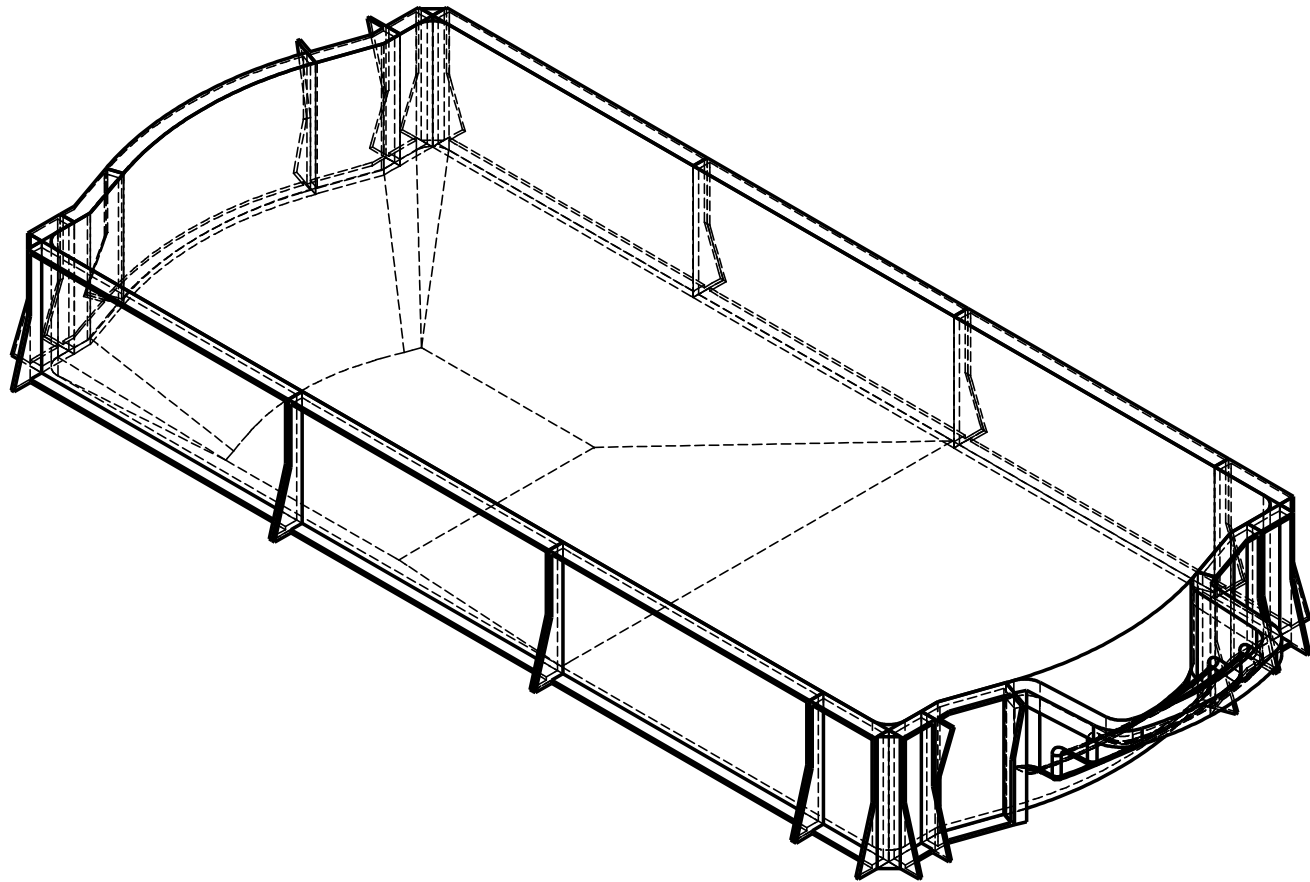
**EXCAVATION NOTES:**

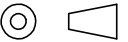
- ROUGH EXCAVATION SHOULD BE 2" DEEPER IN EACH INSTANCE.
- SOIL TO HAVE MINIMUM BEARING CAPACITY OF 1500 PSF.
- LOCATE TOP OF POOL AT LEAST 6" ABOVE THE SURROUNDING LAND ELEVATION.
- SEE "OVER DIG DETAIL" FOR EXCAVATION AROUND POOL.
- FILL VOIDS UNDER BASE OF PANELS AND TAMP WELL.
- BACK FILL WITH NON-EXPANSIVE MATERIAL.
- FOLLOW ALL CURRENT ANSI / APSP / ICC GUIDELINES FOR RESIDENTIAL POOLS

**IMPORTANT NOTES:**

THIS DOCUMENT IS FOR ILLUSTRATIVE PURPOSES ONLY. THE DEALER OR CONTRACTOR WHO SELLS OR INSTALLS YOUR POOL IS AN INDEPENDENT CONTRACTOR AND IS NOT AN AGENT OF THE MANUFACTURER. THE CONSTRUCTION METHODS ILLUSTRATED HERE ARE SUGGESTIONS AND APPLY ONLY TO NORMAL GROUND CONDITIONS. THERE MAY BE ADDITIONAL PRECAUTIONS AND/OR METHODS OF CONSTRUCTION. PROPER INSTALLATION IS THE RESPONSIBILITY OF THE DEALER/BUILDER/CONTRACTOR.

ENGINEERING DRAWING NUMBER: <b>00018173</b>	WEIGHT: 84885.585 lbs	UNLESS OTHERWISE SPECIFIED DIMENSIONS ARE IN INCHES TOLERANCES DECIMALS: X ± .1 XX ± .01 XXX ± .001 XXXX ± .0005  ANGULAR: X ± 0.5 THIRD ANGLE PROJECTION	DESIGNED BY: <b>JBOSSERDET</b>	CREATION DATE: <b>1/7/2015</b>	<b>HYDRA POOLS</b>	
	VOLUME: 2349625.560 Inch <sup>3</sup>		DETAILED BY: <b>JRITTENHOUSE</b>	DETAILED DATE: <b>4/4/2018</b>		
	COLOR: NA		LAST REVISED BY: <b>rhouston</b>	LAST REVISED DATE: <b>4/4/2018</b>	TITLE: <b>LAYOUT, 12' X 28', ROMAN DOUBLE, 2' RADIUS, 8' DEEP, HS110N, LIGHT, 3- INLET, 1084, 600 SERIES</b>	
	HEAT TREAT: NA		MATERIAL: <b>Material &lt;not specified&gt;</b>			
FINISH: NA					SHEET: <b>2 OF 3</b>	
TEXTURE: NA						



ENGINEERING DRAWING NUMBER: <b>00018173</b>	WEIGHT: <b>101569.0 lbs</b>	<b>UNLESS OTHERWISE SPECIFIED</b> DIMENSIONS ARE IN INCHES TOLERANCES DECIMALS: X ± .1 XX ± .01 XXX ± .001 XXXX ± .0005  ANGULAR: X ± 0.5 THIRD ANGLE PROJECTION 	DESIGNED BY: <b>JBOSSERDET</b>	CREATION DATE: <b>1/7/2015</b>	<b>HYDRA POOLS</b>	
	VOLUME: <b>Inch³</b>		DETAILED BY: <b>JRITTENHOUSE</b>	DETAILED DATE: <b>4/4/2018</b>		
	COLOR:		LAST REVISED BY: <b>rhouston</b>	LAST REVISED DATE: <b>4/4/2018</b>		
	HEAT TREAT:		MATERIAL:		TITLE: <b>LAYOUT, 12' X 28', ROMAN DOUBLE, 2' RADIUS, 8' DEEP, HS110N, LIGHT, 3- INLET, 1084, 600 SERIES</b>	
	FINISH:				PART NUMBER: <b>00018173</b>	
	TEXTURE:				SCALE: <b>1:96</b>	SIZE: <b>A</b>
				SHEET: <b>3 OF 3</b>		