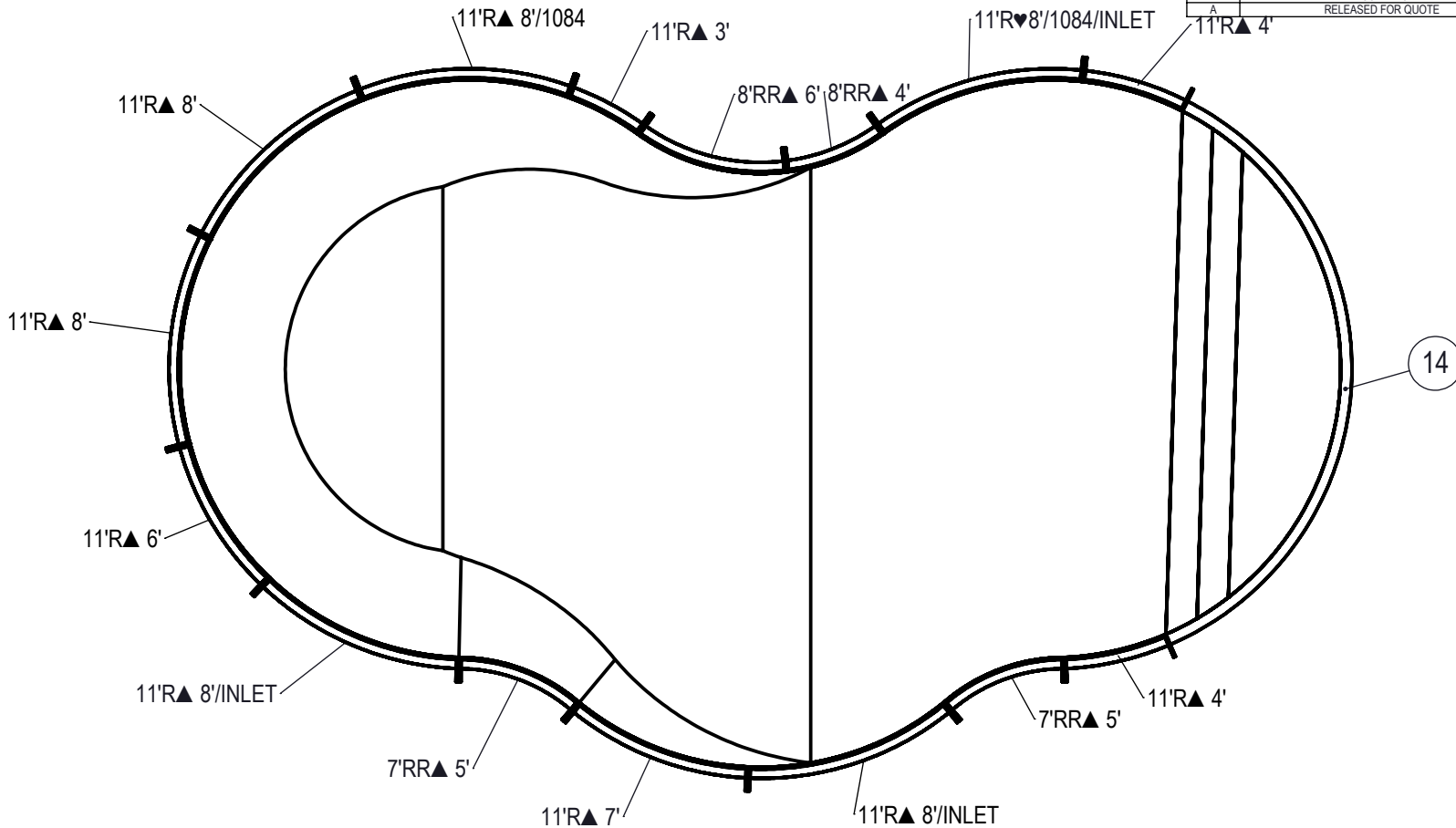


REVISION HISTORY			
REV.	DESCRIPTION	DATE	BY
A	RELEASED FOR QUOTE	3/7/2018	BUMPHREY



NOTES:

- THESE ARE FINISHED DIMENSIONS READY FOR THE LINER.
- DIMENSIONS ARE FROM INSIDE POOL PANELS.
- ROPE AND FLOAT ASSEMBLY SHOULD BE INSTALLED IN ACCORDANCE WITH CURRENT ANSI/ASPS/ICC REGULATIONS
- HYDRA LINER TRACK FOR STEPS IS INSTALLED WITH THE BARB FACING THE RISER WALL ON THE STEP.

EXCAVATION NOTES:

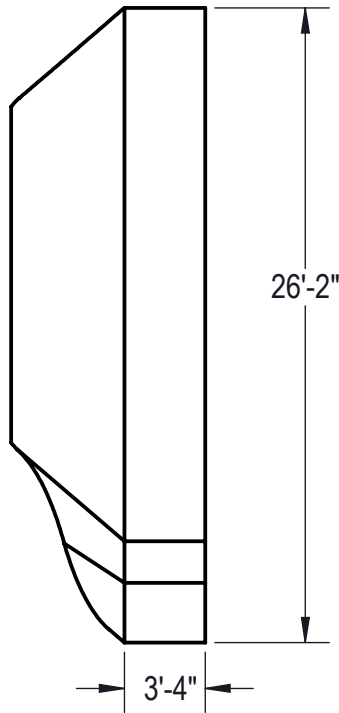
- ROUGH EXCAVATION SHOULD BE 2" DEEPER IN EACH INSTANCE.
- SOIL TO HAVE MINIMUM BEARING CAPACITY OF 1500 PSF.
- LOCATE TOP OF POOL AT LEAST 6" ABOVE THE SURROUNDING LAND ELEVATION.
- SEE "OVER DIG DETAIL" FOR EXCAVATION AROUND POOL.
- FILL VOIDS UNDER BASE OF PANELS AND TAMP WELL.
- BACK FILL WITH NON-EXPANSIVE MATERIAL.
- FOLLOW ALL CURRENT ANSI / ASPSP / ICC GUIDELINES FOR RESIDENTIAL POOLS

IMPORTANT NOTES:

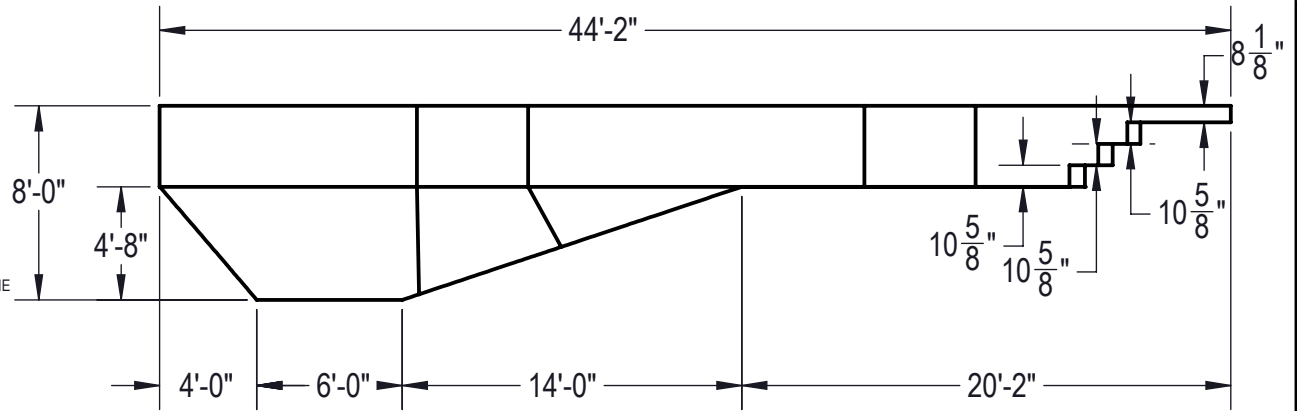
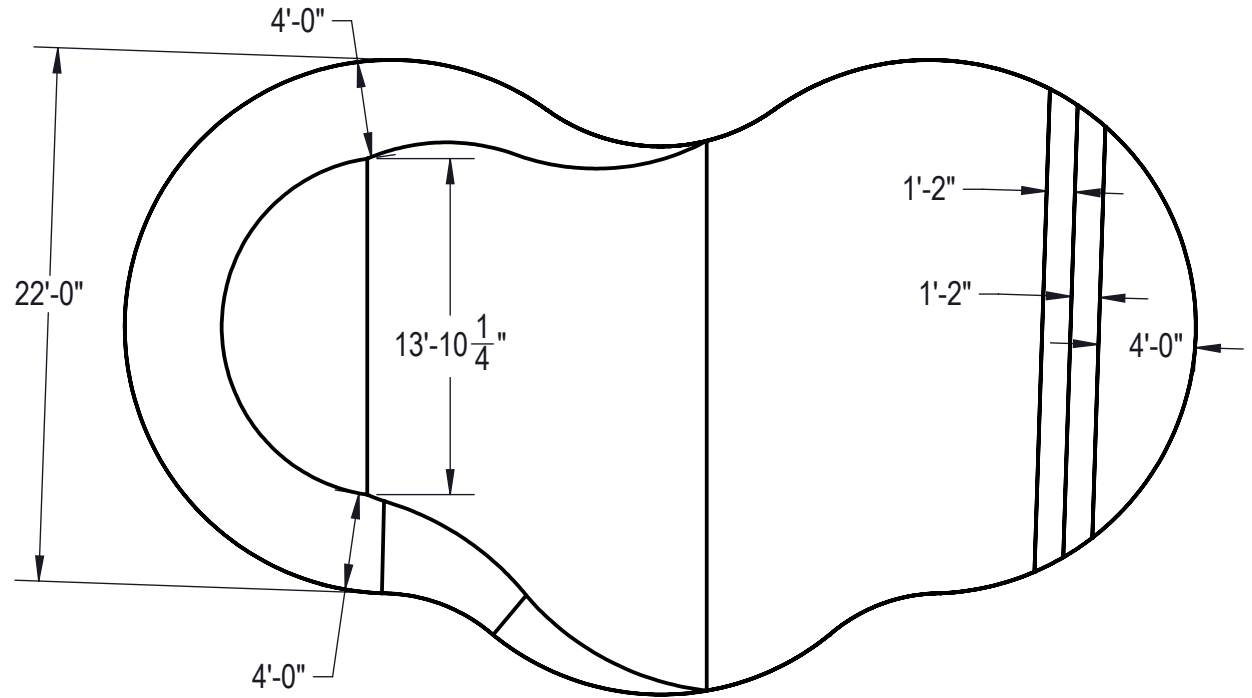
THIS DOCUMENT IS FOR ILLUSTRATIVE PURPOSES ONLY. THE DEALER OR CONTRACTOR WHO SELLS OR INSTALLS YOUR POOL IS AN INDEPENDENT CONTRACTOR AND IS NOT AN AGENT OF THE MANUFACTURER. THE CONSTRUCTION METHODS ILLUSTRATED HERE ARE SUGGESTIONS AND APPLY ONLY TO NORMAL GROUND CONDITIONS. THERE MAY BE ADDITIONAL PRECAUTIONS AND/OR METHODS OF CONSTRUCTION. PROPER INSTALLATION IS THE RESPONSIBILITY OF THE DEALER/BUILDER/CONTRACTOR.

ITEM	FILE NAME	DESCRIPTION	CUSTOMER DRAWING #	VENDOR PART #	QTY
1	BOLT, PACK	BOLT, FLANGE, 3/8-16 X 1", PACK (50)	HPS1916	HPS1916	4
2	SBRACE	BRACE, FOLD OVER WITH TURNBUCKLE, STEEL, HPSFOB	HPSFOB	HPSFOB	16
3	PANEL, RADIUS	PANEL, 11' RADIUS, 3' LONG, 600 SERIES	HPSD11R3	00001801	1
4	PANEL, RADIUS	PANEL, 11' RADIUS, 4' LONG, 600 SERIES	HPSD11R4	00001136	2
5	PANEL, RADIUS	PANEL, 11' RADIUS, 6' LONG, 600 SERIES	HPSD11R6	00001161	1
6	PANEL, RADIUS	PANEL, 11' RADIUS, 7' LONG, 600 SERIES	HPSD11R7	00001807	1
7	PANEL, RADIUS	PANEL, 11' RADIUS, 8' LONG, 600 SERIES	HPSD11R8	00001182	2
8	PANEL, RADIUS	PANEL, 11' RADIUS, 8' LONG, 1084, 600 SERIES	HPS11R884	00000248	1
9	PANEL, RADIUS	PANEL, 11' RADIUS, 8' LONG, 1084, INLET, 600 SERIES	HPSD11R84I	00006012	1
10	PANEL, RADIUS	PANEL, 11' RADIUS, 8' LONG, INLET, 600 SERIES	HPSD11R8I	00000770	2
11	PANEL, RR	PANEL, 7' REVERSE RADIUS, 5' LONG, 600 SERIES	HPSD7RR5	00001804	2
12	PANEL, RR	PANEL, 8' REVERSE RADIUS, 4' LONG, 600 SERIES	HPSD8RR4	00001038	1
13	PANEL, RR	PANEL, 8' REVERSE RADIUS, 6' LONG, 600 SERIES	HPSD8RR6	00000144	1
14	Q00000599	STEP, CUSTOM, 11' RADIUS, 3 TREAD, 4' SUNLEDGE	Q00000599	Q00000599	1

ENGINEERING DRAWING NUMBER: 00017781	WEIGHT: 278503.2 lbs	UNLESS OTHERWISE SPECIFIED DIMENSIONS ARE IN INCHES TOLERANCES DECIMALS: X ± .1 XX ± .01 XXX ± .001 XXXX ± .0005 ANGULAR: X ± 0.5 THIRD ANGLE PROJECTION	DESIGNED BY: BUMPHREY	CREATION DATE: 7/19/2013	SAMSON STEEL	
	VOLUME: Inch ³		DETAILED BY: BUMPHREY	DETAILED DATE: 3/7/2018		
	COLOR:		LAST REVISED BY: bumphrey	LAST REVISED DATE: 3/7/2018		
	HEAT TREAT:		MATERIAL:	TITLE: LAYOUT, 22' X 44', LAGOON, RIGHT, 8' DEEP, Q00000599, 2-1084, 3-INLET, 600 SERIES		
FINISH:				PART NUMBER: 00017781	SCALE: 1:128	SIZE: A
TEXTURE:					SHEET: 1 OF 4	



Area: 127059.22in ^2
Perimeter: 1403.00in
Volume = 29325 US gallons



NOTES:

1. THESE ARE FINISHED DIMENSIONS READY FOR THE LINER.
2. DIMENSIONS ARE FROM INSIDE POOL PANELS.
3. ROPE AND FLOAT ASSEMBLY SHOULD BE INSTALLED IN ACCORDANCE WITH CURRENT ANSI/ASPS/ICC REGULATIONS
4. HYDRA LINER TRACK FOR STEPS IS INSTALLED WITH THE BARB FACING THE RISER WALL ON THE STEP.

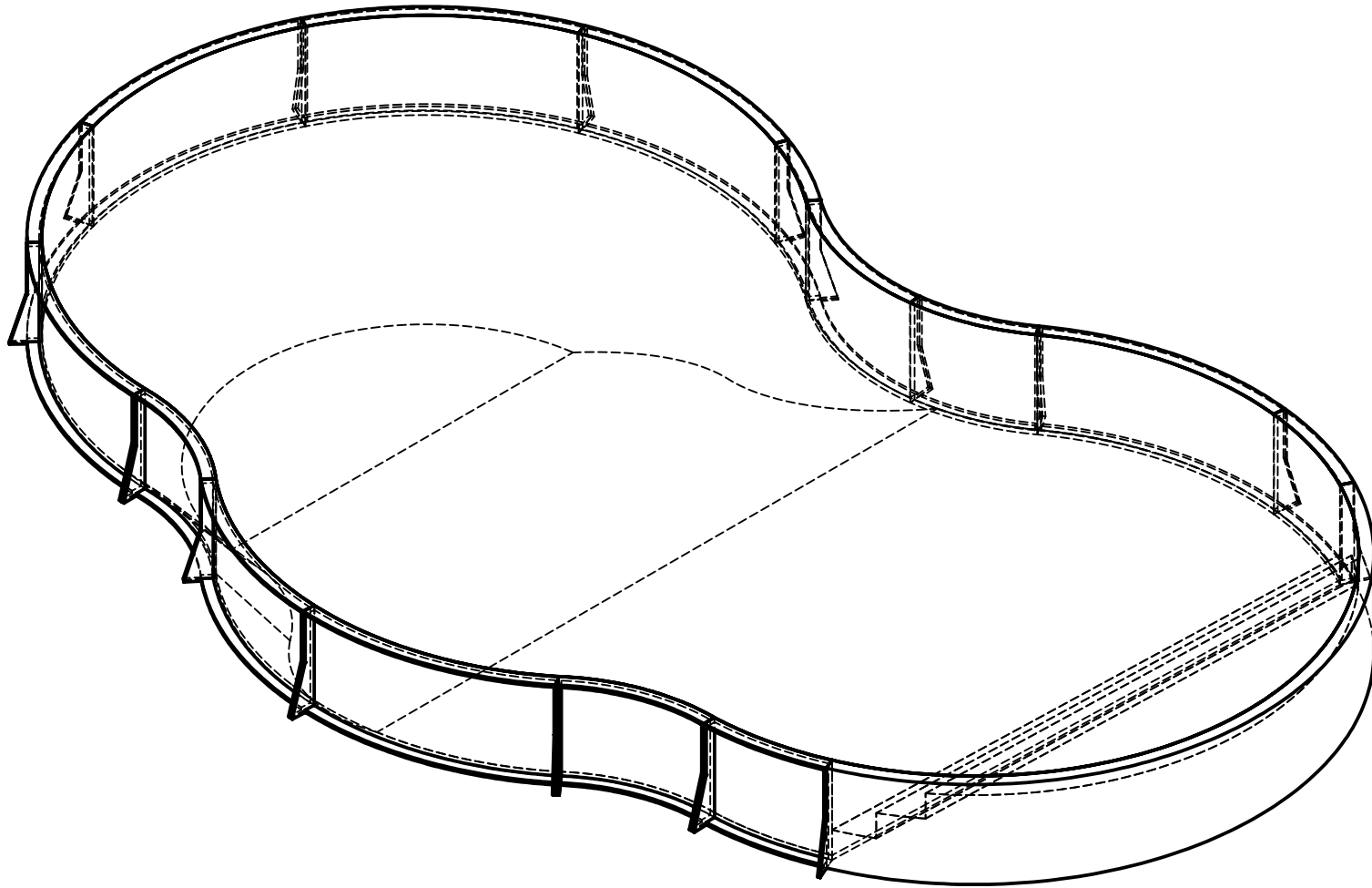
EXCAVATION NOTES:


5. ROUGH EXCAVATION SHOULD BE 2" DEEPER IN EACH INSTANCE.
6. SOIL TO HAVE MINIMUM BEARING CAPACITY OF 1500 PSF.
7. LOCATE TOP OF POOL AT LEAST 6" ABOVE THE SURROUNDING LAND ELEVATION.
8. SEE "OVER DIG DETAIL" FOR EXCAVATION AROUND POOL.
9. FILL VOIDS UNDER BASE OF PANELS AND TAMP WELL.
10. BACK FILL WITH NON-EXPANSIVE MATERIAL.
11. FOLLOW ALL CURRENT ANSI / APSP / ICC GUIDELINES FOR RESIDENTIAL POOLS

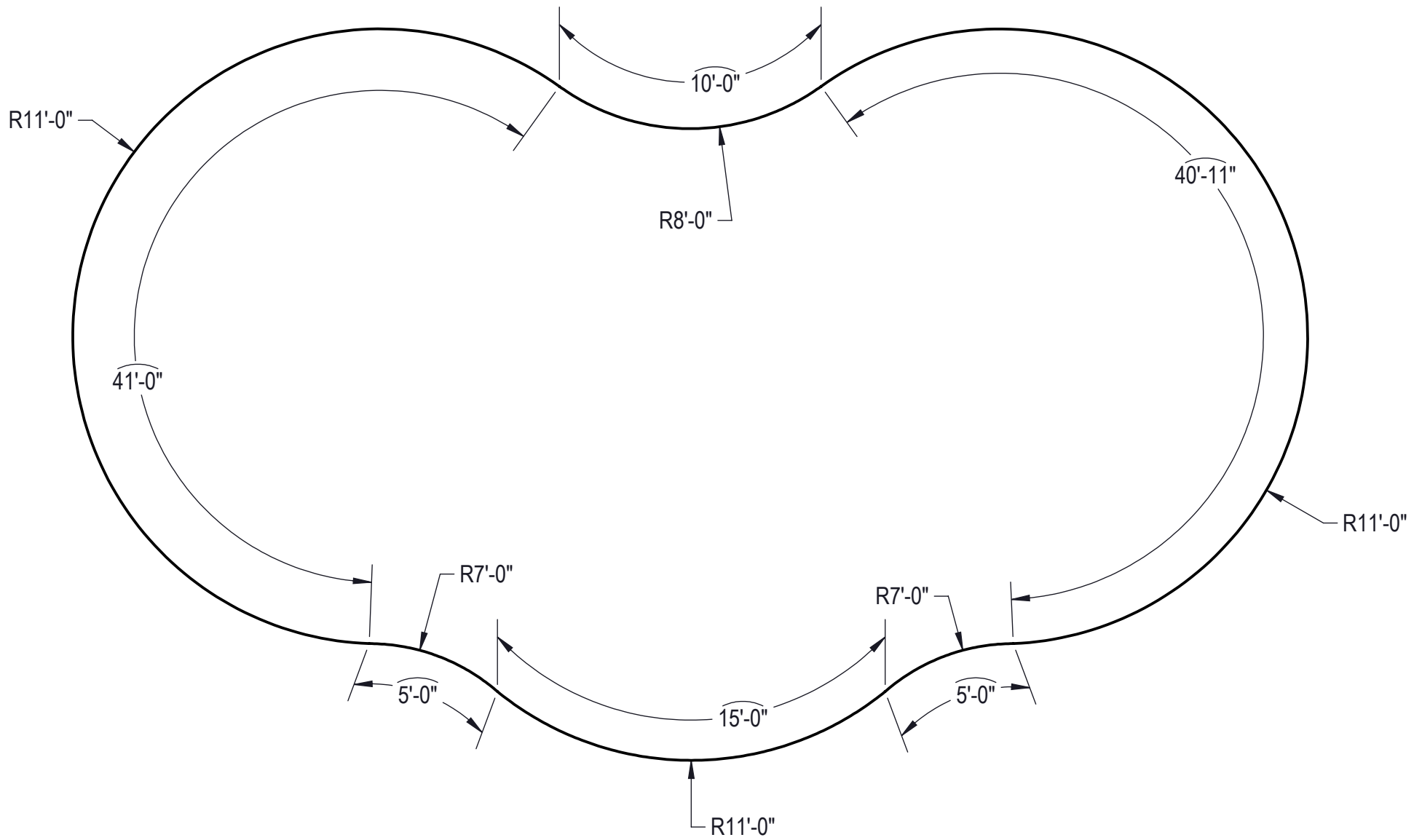
IMPORTANT NOTES:

THIS DOCUMENT IS FOR ILLUSTRATIVE PURPOSES ONLY. THE DEALER OR CONTRACTOR WHO SELLS OR INSTALLS YOUR POOL IS AN INDEPENDENT CONTRACTOR AND IS NOT AN AGENT OF THE MANUFACTURER. THE CONSTRUCTION METHODS ILLUSTRATED HERE ARE SUGGESTIONS AND APPLY ONLY TO NORMAL GROUND CONDITIONS. THERE MAY BE ADDITIONAL PRECAUTIONS AND/OR METHODS OF CONSTRUCTION. PROPER INSTALLATION IS THE RESPONSIBILITY OF THE DEALER/BUILDER/CONTRACTOR.

ENGINEERING DRAWING NUMBER: 00017781	WEIGHT: lbs	UNLESS OTHERWISE SPECIFIED DIMENSIONS ARE IN INCHES TOLERANCES DECIMALS: X ± .1 XX ± .01 XXX ± .001 XXXX ± .0005 ANGULAR: X ± 0.5 THIRD ANGLE PROJECTION	DESIGNED BY: BUMPHREY	CREATION DATE: 1/3/2012	SAMSON STEEL
	VOLUME: Inch ³		DETAILED BY: BUMPHREY	DETAILED DATE: 3/7/2018	
	COLOR:		LAST REVISED BY: bumphrey	LAST REVISED DATE: 3/7/2018	
	HEAT TREAT: NA		TITLE: LAYOUT, 22' X 44', LAGOON, RIGHT, 8' DEEP, Q00000599, 2-1084, 3-INLET, 600 SERIES		
	FINISH: NA		PART NUMBER: 00017781		
TEXTURE: NA	SCALE: 1:128		SIZE: A		
SHEET: 2 OF 4					



ENGINEERING DRAWING NUMBER: 00017781	WEIGHT: 278503.2 lbs	UNLESS OTHERWISE SPECIFIED DIMENSIONS ARE IN INCHES TOLERANCES DECIMALS: X ± .1 XX ± .01 XXX ± .001 XXXX ± .0005 ANGULAR: X ± 0.5 THIRD ANGLE PROJECTION 	DESIGNED BY: BUMPHREY	CREATION DATE: 7/19/2013	SAMSON STEEL	
	VOLUME: Inch ³		DETAILED BY: BUMPHREY	DETAILED DATE: 3/7/2018		
	COLOR:		LAST REVISED BY: bumphrey	LAST REVISED DATE: 3/7/2018		
	HEAT TREAT:		MATERIAL:		TITLE: LAYOUT, 22' X 44', LAGOON, RIGHT, 8' DEEP, Q00000599, 2-1084, 3-INLET, 600 SERIES	
	FINISH:		PART NUMBER:			
	TEXTURE:		00017781			
		SCALE: 1:60	SIZE: A			
		SHEET: 3 OF 4				



ENGINEERING DRAWING NUMBER: 00017781	WEIGHT:	UNLESS OTHERWISE SPECIFIED DIMENSIONS ARE IN INCHES TOLERANCES DECIMALS: X ± .1 XX ± .01 XXX ± .001 XXXX ± .0005 ANGULAR: X ± 0.5 THIRD ANGLE PROJECTION 	DESIGNED BY:	CREATION DATE:	SAMSON STEEL TITLE: LAYOUT, 22' X 44', LAGOON, RIGHT, 8' DEEP, Q00000599, 2-1084, 3-INLET, 600 SERIES PART NUMBER: 00017781
	lbs		BUMPHREY	1/3/2012	
	VOLUME:		DETAILED BY:	DETAILED DATE:	
	Inch ³		BUMPHREY	3/7/2018	
	COLOR:		LAST REVISED BY:	LAST REVISED DATE:	
	NA		bumphrey	3/7/2018	
HEAT TREAT:	MATERIAL:		SCALE:	SIZE:	
NA			1:60	A	
FINISH:			SHEET:		
NA			4 OF 4		
TEXTURE:					
NA					