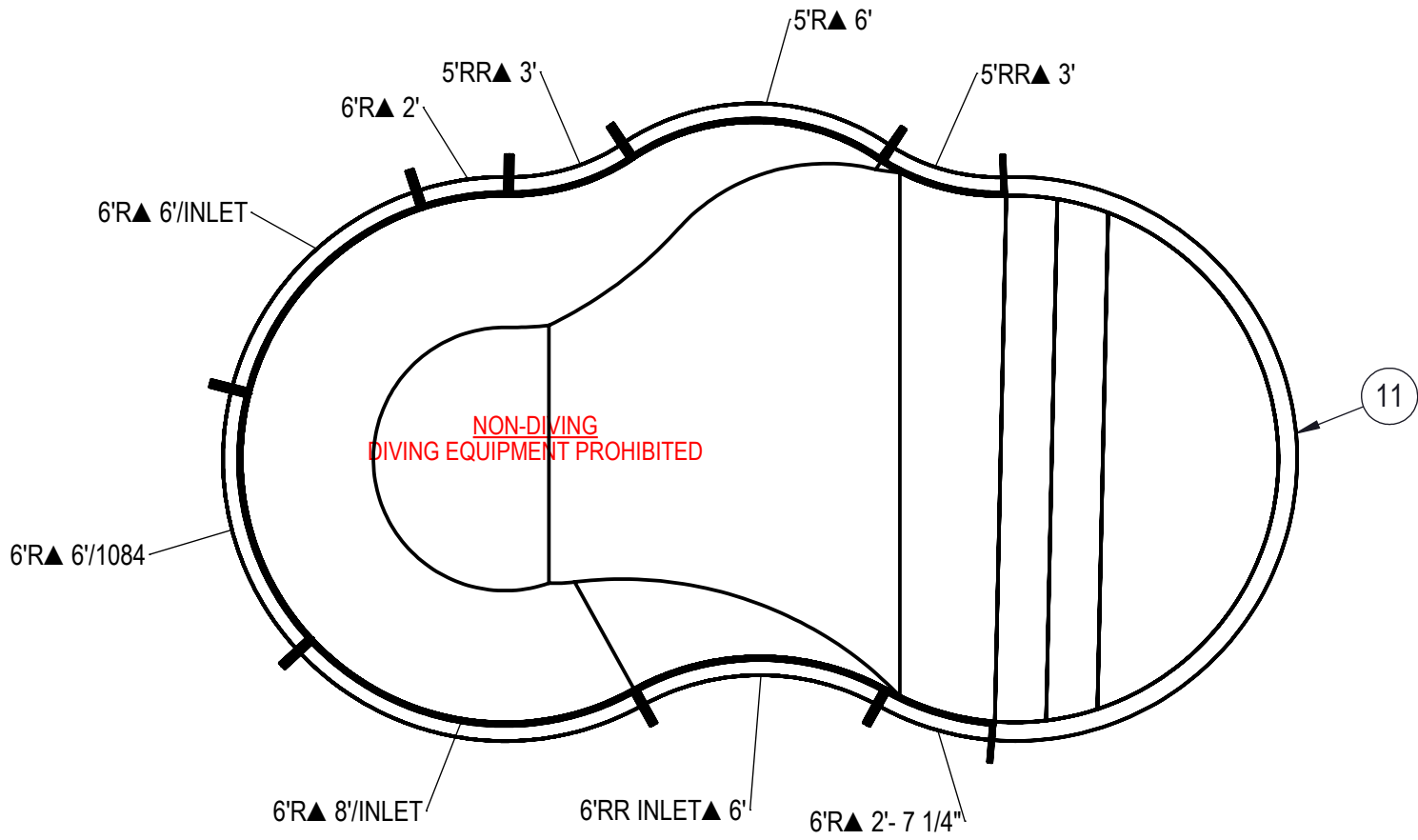


REVISION HISTORY			
REV.	DESCRIPTION	DATE	BY
A	RELEASED FOR QUOTE	3/7/2018	BUMPHREY

MIRROR NUMBER: 00017779 CHECK IN DATE/TIME: Wednesday, March 07, 2018 4:02:01 PM



NOTES:

- THESE ARE FINISHED DIMENSIONS READY FOR THE LINER.
- DIMENSIONS ARE FROM INSIDE POOL PANELS.
- ROPE AND FLOAT ASSEMBLY SHOULD BE INSTALLED IN ACCORDANCE WITH CURRENT ANSI/ASPS/ICC REGULATIONS
- HYDRA LINER TRACK FOR STEPS IS INSTALLED WITH THE BARB FACING THE RISER WALL ON THE STEP.

EXCAVATION NOTES:

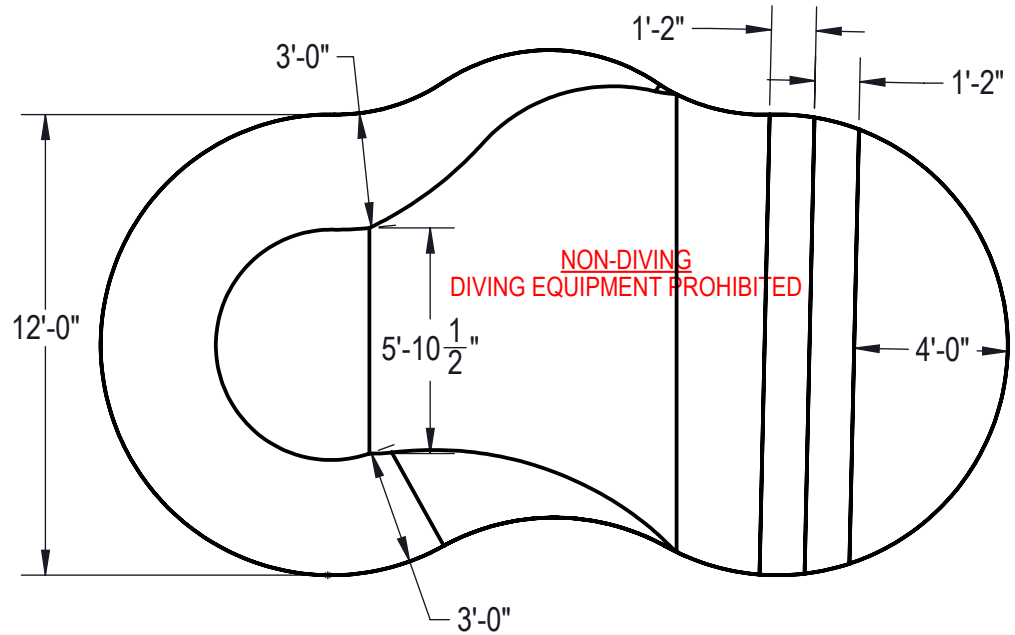
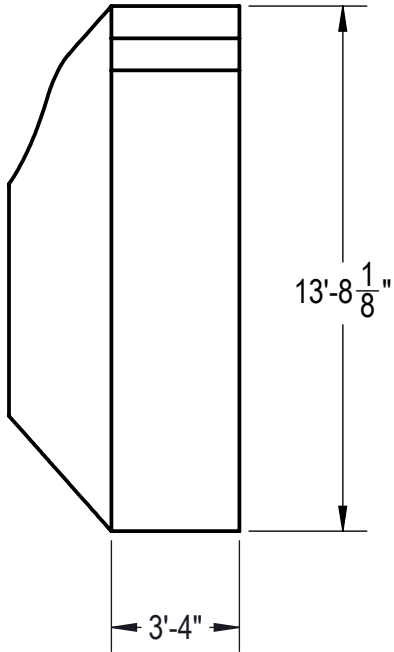
- ROUGH EXCAVATION SHOULD BE 2" DEEPER IN EACH INSTANCE.
- SOIL TO HAVE MINIMUM BEARING CAPACITY OF 1500 PSF.
- LOCATE TOP OF POOL AT LEAST 6" ABOVE THE SURROUNDING LAND ELEVATION.
- SEE "OVER DIG DETAIL" FOR EXCAVATION AROUND POOL.
- FILL VOIDS UNDER BASE OF PANELS AND TAMP WELL.
- BACK FILL WITH NON-EXPANSIVE MATERIAL.
- FOLLOW ALL CURRENT ANSI / ASP / ICC GUIDELINES FOR RESIDENTIAL POOLS

IMPORTANT NOTES:

THIS DOCUMENT IS FOR ILLUSTRATIVE PURPOSES ONLY. THE DEALER OR CONTRACTOR WHO SELLS OR INSTALLS YOUR POOL IS AN INDEPENDENT CONTRACTOR AND IS NOT AN AGENT OF THE MANUFACTURER. THE CONSTRUCTION METHODS ILLUSTRATED HERE ARE SUGGESTIONS AND APPLY ONLY TO NORMAL GROUND CONDITIONS. THERE MAY BE ADDITIONAL PRECAUTIONS AND/OR METHODS OF CONSTRUCTION. PROPER INSTALLATION IS THE RESPONSIBILITY OF THE DEALER/BUILDER/CONTRACTOR.

ITEM	FILE NAME	DESCRIPTION	CUSTOMER DRAWING #	VENDOR PART #	QTY.
1	BOLT, PACK	BOLT, FLANGE, 3/8-16 X 1", PACK (50)	HPS1916	HPS1916	3
2	SBRACE	BRACE, FOLD OVER WITH TURNBUCKLE, STEEL, HPSFOB	HPSFOB	HPSFOB	10
3	PANEL, RADIUS	PANEL, 5' RADIUS, 6' LONG, 600 SERIES	HPS5r6	00000491	1
4	PANEL, RR	PANEL, 5' REVERSE RADIUS, 3' LONG, 600 SERIES	HPSD5RR3	00002027	2
5	PANEL, RADIUS	PANEL, 6' RADIUS, 2' LONG, 600 SERIES	HPSCR3	00004287	1
6	PANEL, RADIUS	PANEL, 6' RADIUS, 2'-7 1/4" LONG, 600 SERIES	HPSCR3	00005909	1
7	PANEL, RADIUS	PANEL, 6' RADIUS, 6' LONG, 1084, 600 SERIES	HPS6R684	00000259	1
8	PANEL, RADIUS	PANEL, 6' RADIUS, 6' LONG, INLET, 600 SERIES	HPSD6R6i	00000242	1
9	PANEL, RADIUS	PANEL, 6' RADIUS, 8' LONG, INLET, 600 SERIES	HPS6R8i	00000752	1
10	PANEL, RR	PANEL, 6' REVERSE RADIUS, 6' LONG, INLET, 600 SERIES	HPSCRR7	00008155	1
11	Q00000597	STEP, CUSTOM, 6' RADIUS, 3 TREAD, 4' SUNLEDGE	00015357	Q00000597	1

ENGINEERING DRAWING NUMBER: 00017779	WEIGHT: lbs	UNLESS OTHERWISE SPECIFIED DIMENSIONS ARE IN INCHES TOLERANCES DECIMALS: X ± .1 XX ± .01 XXX ± .001 XXXX ± .0005 ANGULAR: X ± 0.5 THIRD ANGLE PROJECTION	DESIGNED BY: BUMPHREY	CREATION DATE: 12/4/2013	SAMSON STEEL
	VOLUME: Inch ³		DETAILED BY: BUMPHREY	DETAILED DATE: 3/7/2018	
	COLOR: NA		LAST REVISED BY: bumphrey	LAST REVISED DATE: 3/7/2018	
	HEAT TREAT: NA		TITLE: LAYOUT, 12' X 24', LAGOON, LEFT, 6' DEEP, Q00000597, 1084, 3-INLET, 600 SERIES		
	FINISH: NA		PART NUMBER: 00017779		
TEXTURE: NA	SCALE: 1:60 SHEET: 1 OF 4		SIZE: A		



Area: 253.13ft ^2
Perimeter: 62.13ft
Volume = 7014 US gallons

NOTES:

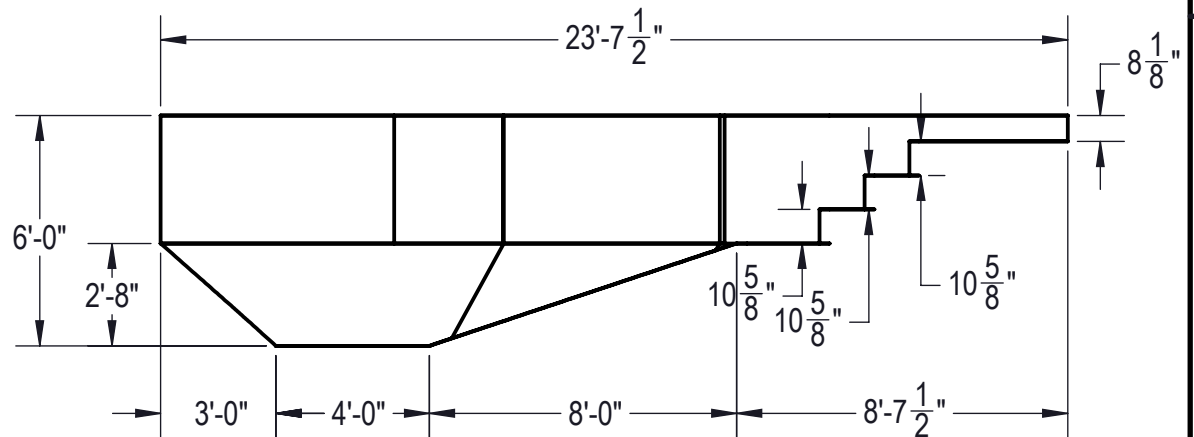
1. THESE ARE FINISHED DIMENSIONS READY FOR THE LINER.
2. DIMENSIONS ARE FROM INSIDE POOL PANELS.
3. ROPE AND FLOAT ASSEMBLY SHOULD BE INSTALLED IN ACCORDANCE WITH CURRENT ANSI/ASPS/ICC REGULATIONS
4. HYDRA LINER TRACK FOR STEPS IS INSTALLED WITH THE BARB FACING THE RISER WALL ON THE STEP.

EXCAVATION NOTES:

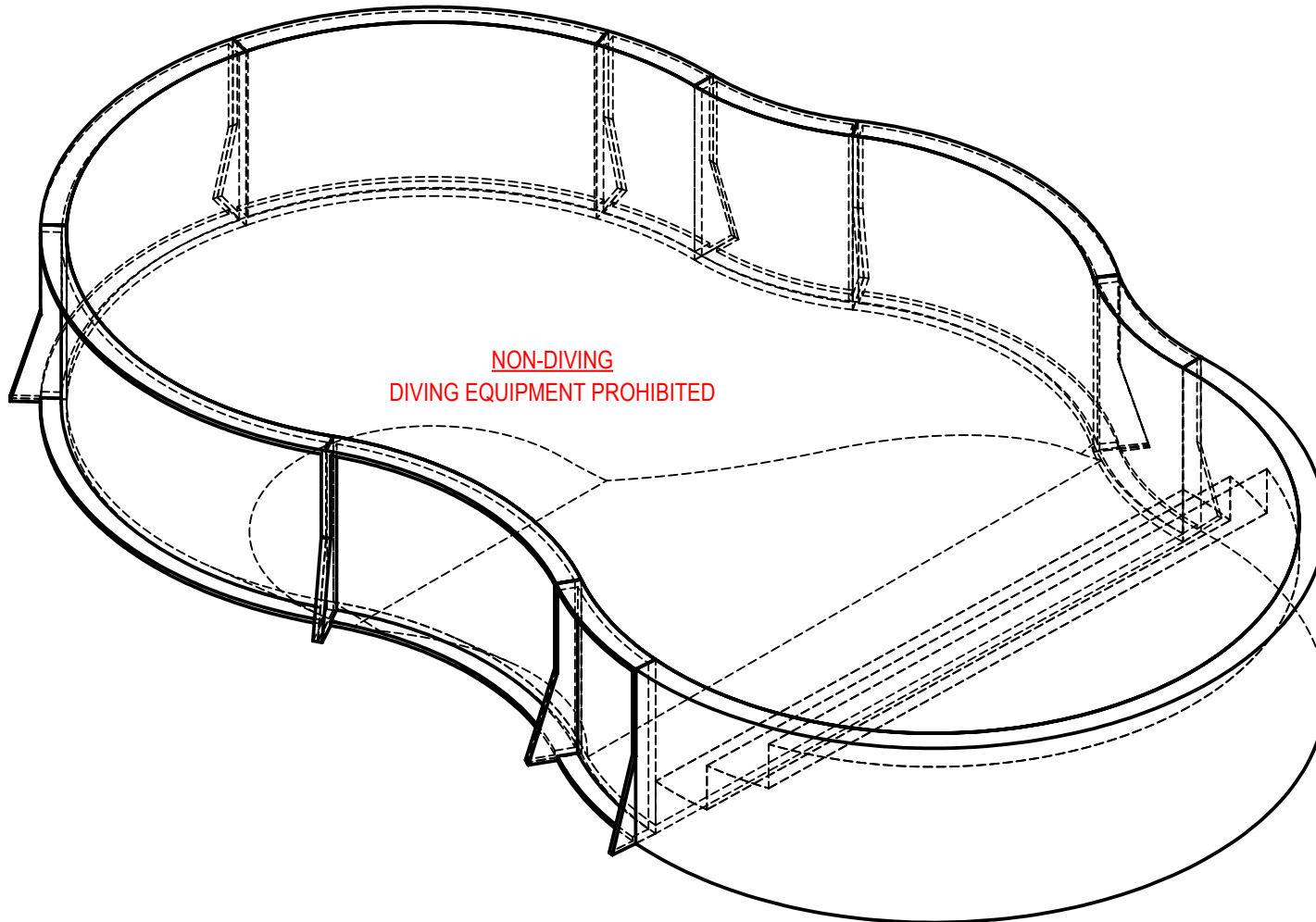
5. ROUGH EXCAVATION SHOULD BE 2" DEEPER IN EACH INSTANCE.
6. SOIL TO HAVE MINIMUM BEARING CAPACITY OF 1500 PSF.
7. LOCATE TOP OF POOL AT LEAST 6" ABOVE THE SURROUNDING LAND ELEVATION.
8. SEE "OVER DIG DETAIL" FOR EXCAVATION AROUND POOL.
9. FILL VOIDS UNDER BASE OF PANELS AND TAMP WELL.
10. BACK FILL WITH NON-EXPANSIVE MATERIAL.
11. FOLLOW ALL CURRENT ANSI / APSP / ICC GUIDELINES FOR RESIDENTIAL POOLS

IMPORTANT NOTES:


THIS DOCUMENT IS FOR ILLUSTRATIVE PURPOSES ONLY. THE DEALER OR CONTRACTOR WHO SELLS OR INSTALLS YOUR POOL IS AN INDEPENDENT CONTRACTOR AND IS NOT AN AGENT OF THE MANUFACTURER. THE CONSTRUCTION METHODS ILLUSTRATED HERE ARE SUGGESTIONS AND APPLY ONLY TO NORMAL GROUND CONDITIONS. THERE MAY BE ADDITIONAL PRECAUTIONS AND/OR METHODS OF CONSTRUCTION. PROPER INSTALLATION IS THE RESPONSIBILITY OF THE DEALER/BUILDER/CONTRACTOR.

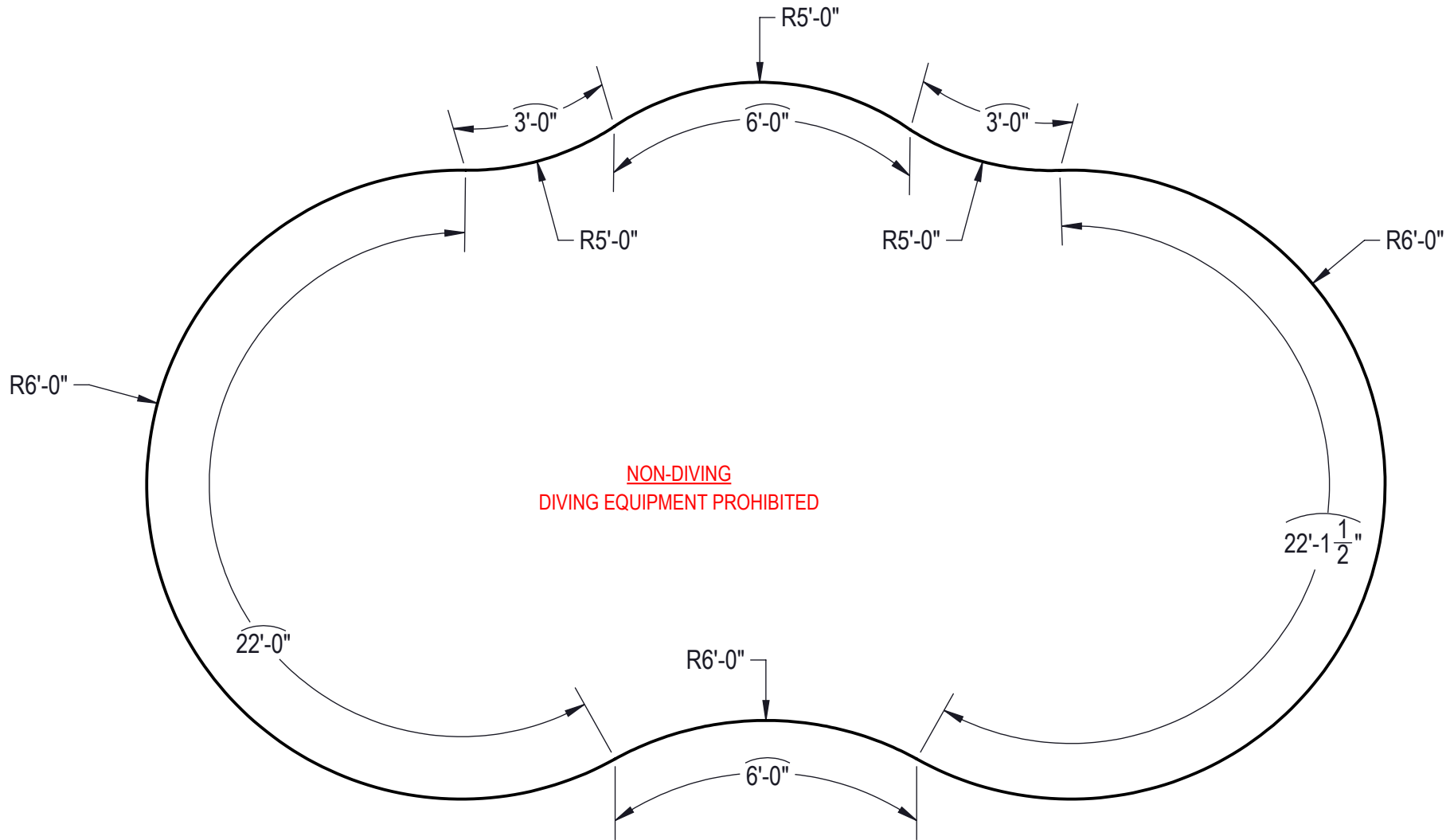


ENGINEERING DRAWING NUMBER: 00017779	WEIGHT:	UNLESS OTHERWISE SPECIFIED DIMENSIONS ARE IN INCHES TOLERANCES DECIMALS: X ± .1 XX ± .01 XXX ± .001 XXXX ± .0005 ANGULAR: X ± 0.5 THIRD ANGLE PROJECTION	DESIGNED BY:	CREATION DATE:	SAMSON STEEL
	lbs		BUMPHREY	12/4/2013	
	VOLUME:		DETAILED BY:	DETAILED DATE:	
	Inch ³		BUMPHREY	3/7/2018	TITLE: LAYOUT, 12' X 24', LAGOON, LEFT, 6' DEEP, Q00000597, 1084, 3-INLET, 600 SERIES
	COLOR:		LAST REVISED BY:	LAST REVISED DATE:	
	NA		bumphrey	3/7/2018	
HEAT TREAT:	MATERIAL:	PART NUMBER:	SCALE:	SIZE:	
NA		00017779	1:128	A	
FINISH:			SHEET:		
NA			2 OF 4		
TEXTURE:					
NA					



NON-DIVING
DIVING EQUIPMENT PROHIBITED

ENGINEERING DRAWING NUMBER: 00017779	WEIGHT:	UNLESS OTHERWISE SPECIFIED DIMENSIONS ARE IN INCHES TOLERANCES DECIMALS: X ± .1 XX ± .01 XXX ± .001 XXXX ± .0005 ANGULAR: X ± 0.5 THIRD ANGLE PROJECTION 	DESIGNED BY:	CREATION DATE:	SAMSON STEEL	
	lbs		BUMPHREY	12/4/2013		
	VOLUME:		DETAILED BY:	DETAILED DATE:		
	Inch ³		BUMPHREY	3/7/2018	TITLE:	LAYOUT, 12' X 24', LAGOON, LEFT, 6' DEEP, Q00000597, 1084, 3-INLET, 600 SERIES
	COLOR:		LAST REVISED BY:	LAST REVISED DATE:	PART NUMBER:	00017779
	NA		bumphrey	3/7/2018	SCALE:	
HEAT TREAT:	MATERIAL:		SHEET:	3 OF 4		
NA			SIZE:	A		
FINISH:						
NA						
TEXTURE:						
NA						



**NON-DIVING
 DIVING EQUIPMENT PROHIBITED**

ENGINEERING DRAWING NUMBER: 00017779	WEIGHT:	UNLESS OTHERWISE SPECIFIED DIMENSIONS ARE IN INCHES TOLERANCES DECIMALS: X ± .1 XX ± .01 XXX ± .001 XXXX ± .0005 ANGULAR: X ± 0.5 THIRD ANGLE PROJECTION 	DESIGNED BY:	CREATION DATE:	SAMSON STEEL
	lbs		BUMPHREY	12/4/2013	
	VOLUME:		Detailed by:	Detailed Date:	
	Inch ³		BUMPHREY	3/7/2018	TITLE: LAYOUT, 12' X 24', LAGOON, LEFT, 6' DEEP, Q00000597, 1084, 3-INLET, 600 SERIES
	COLOR:		LAST REVISED BY:	LAST REVISED DATE:	
	NA		bumphrey	3/7/2018	
HEAT TREAT:	MATERIAL:	PART NUMBER:	SCALE:	SIZE:	
NA		00017779	1:72	A	
FINISH:			SHEET:		
NA			4 OF 4		
TEXTURE:					
NA					