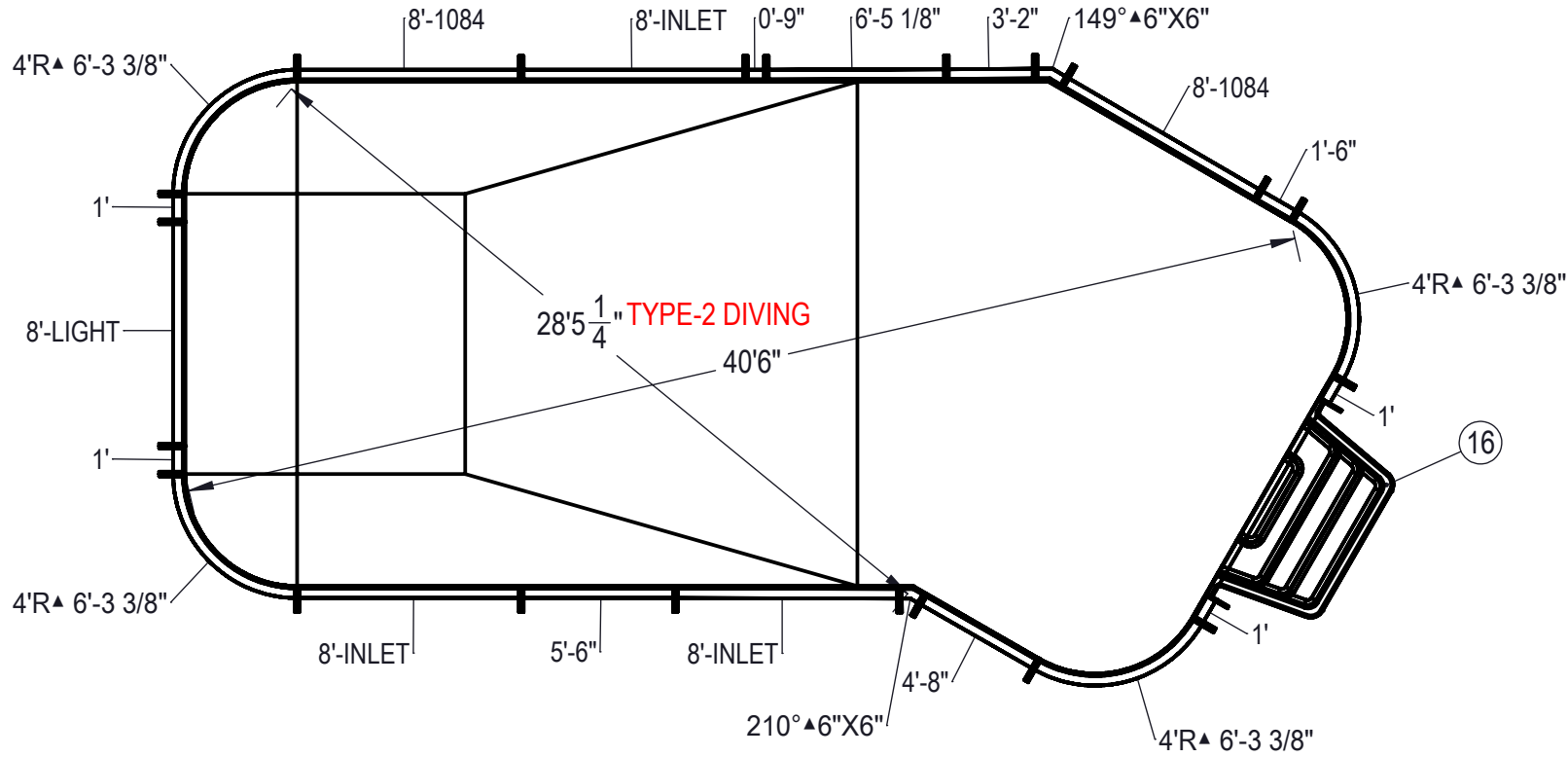


REVISION HISTORY				
REV.	DESCRIPTION	DATE	ECO	BY



NOTES:

- THESE ARE FINISHED DIMENSIONS READY FOR THE LINER.
- DIMENSIONS ARE FROM INSIDE POOL PANELS.
- ROPE AND FLOAT ASSEMBLY SHOULD BE INSTALLED IN ACCORDANCE WITH CURRENT ANSI/ASPS/ICC REGULATIONS
- HYDRA LINER TRACK FOR STEPS IS INSTALLED WITH THE BARB FACING THE RISER WALL ON THE STEP.

EXCAVATION NOTES:

- ROUGH EXCAVATION SHOULD BE 2" DEEPER IN EACH INSTANCE.
- SOIL TO HAVE MINIMUM BEARING CAPACITY OF 1500 PSF.
- LOCATE TOP OF POOL AT LEAST 6" ABOVE THE SURROUNDING LAND ELEVATION.
- SEE "OVER DIG DETAIL" FOR EXCAVATION AROUND POOL.
- FILL VOIDS UNDER BASE OF PANELS AND TAMP WELL.
- BACK FILL WITH NON-EXPANSIVE MATERIAL.
- FOLLOW ALL CURRENT ANSI / APSP / ICC GUIDELINES FOR RESIDENTIAL POOLS

IMPORTANT NOTES:

THIS DOCUMENT IS FOR ILLUSTRATIVE PURPOSES ONLY. THE DEALER OR CONTRACTOR WHO SELLS OR INSTALLS YOUR POOL IS AN INDEPENDENT CONTRACTOR AND IS NOT AN AGENT OF THE MANUFACTURER. THE CONSTRUCTION METHODS ILLUSTRATED HERE ARE SUGGESTIONS AND APPLY ONLY TO NORMAL GROUND CONDITIONS. THERE MAY BE ADDITIONAL PRECAUTIONS AND/OR METHODS OF CONSTRUCTION. PROPER INSTALLATION IS THE RESPONSIBILITY OF THE DEALER/BUILDER/CONTRACTOR.

ITEM	FILE NAME	DESCRIPTION	CUSTOMER DRAWING #	VENDOR PART #	QTY.
1	BOLT, PACK	BOLT, FLANGE, 3/8-16 X 1", PACK (50)	HPS1916	HPS1916	6
2	SBRACE	BRACE, FOLD OVER WITH TURNBUCKLE, STEEL, HPSFOB	HPSFOB	HPSFOB	23
3	PANEL, ANGLE	PANEL, ANGLE, 6" X 6" X 149°, 600 SERIES	HPSD6X6149	00001388	1
4	PANEL, ANGLE	PANEL, ANGLE, 6" X 6" X 210°, 600 SERIES	HPSDLLR	00001675	1
5	PANEL, STRAIGHT	PANEL, 0'-9" LONG, 600 SERIES	HPSD9P	00001694	1
6	PANEL, STRAIGHT	PANEL, 1' LONG, 600 SERIES	HPSD101P	00000621	4
7	PANEL, STRAIGHT	PANEL, 1'-6" LONG, 600 SERIES	HPSD16P	00001252	1
8	PANEL, STRAIGHT	PANEL, 3'-2" LONG, 600 SERIES	HPSCS4P	00007503	1
9	PANEL, RADIUS	PANEL, 4' RADIUS, 6'-3 3/8" LONG, 600 SERIES	HPSD4R	00000289	4
10	PANEL, STRAIGHT	PANEL, 4'-8" LONG, 600 SERIES	HPSCS5	00009744	1
11	PANEL, STRAIGHT	PANEL, 5'-6" LONG, 600 SERIES	HPSD1056P	00000649	1
12	PANEL, STRAIGHT	PANEL, 6'-5 1/8" LONG, 600 SERIES	HPSCS7	00002951	1
13	PANEL, STRAIGHT	PANEL, 8' LONG, 1084, 600 SERIES	HPSD10884	00002006	2
14	PANEL, STRAIGHT	PANEL, 8' LONG, INLET, 600 SERIES	HPSD108I	00000699	3
15	PANEL, STRAIGHT	PANEL, 8' LONG, LIGHT, 600 SERIES	HPSD108L	00000701	1
16	HS110N	STEP, 8", TWIN SEAT, 4 TREAD	HS110N	HS110N	1

ENGINEERING DRAWING NUMBER: 00017475	WEIGHT: 324270.5 lbs	UNLESS OTHERWISE SPECIFIED DIMENSIONS ARE IN INCHES TOLERANCES DECIMALS: X ± .1 XX ± .01 XXX ± .001 XXXX ± .0005 ANGULAR: X ± 0.5 THIRD ANGLE PROJECTION
	VOLUME: Inch ³	
	COLOR:	
	HEAT TREAT:	
	FINISH:	
	TEXTURE:	

DESIGNED BY:
BUMPHREY
CREATION DATE:
8/15/2013
DETAILED BY:
RSANVICENTE
DETAILED DATE:
1/31/2018
LAST REVISED BY:
hyeng
LAST REVISED DATE:
1/31/2018
MATERIAL:

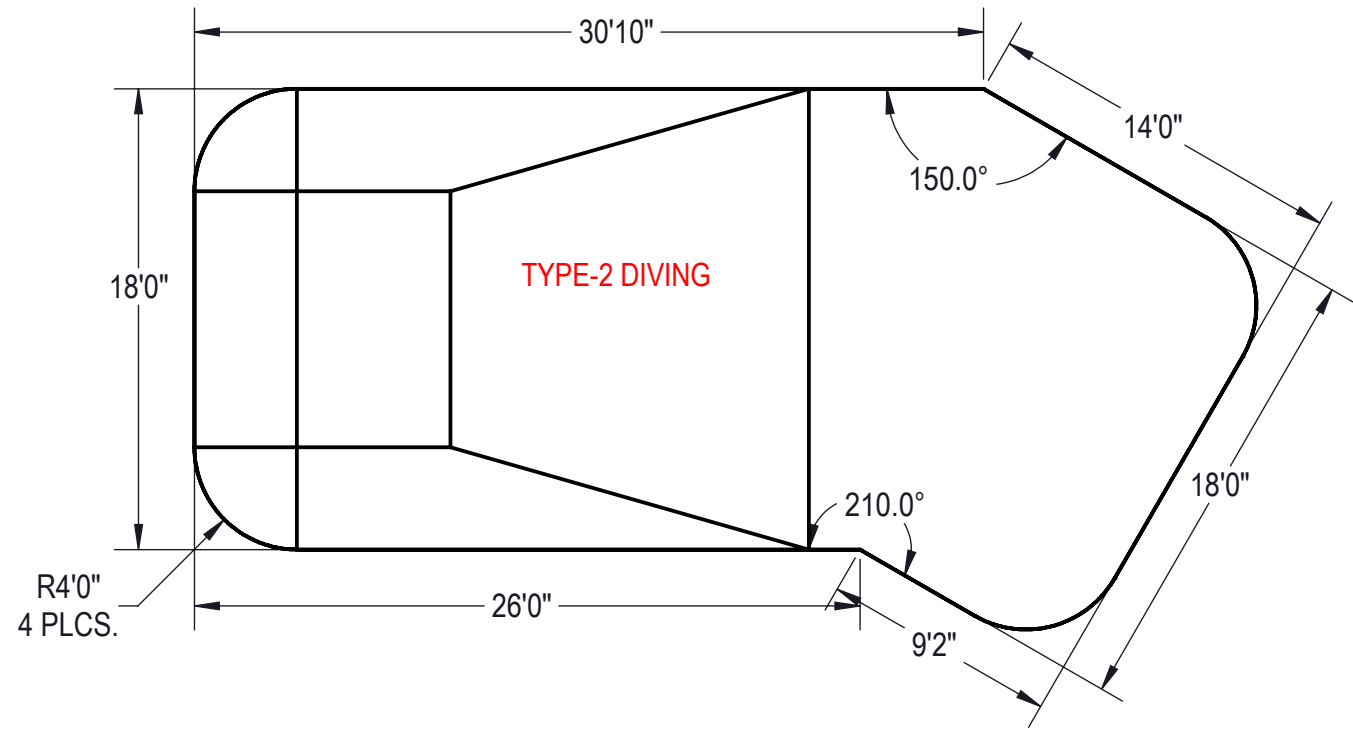
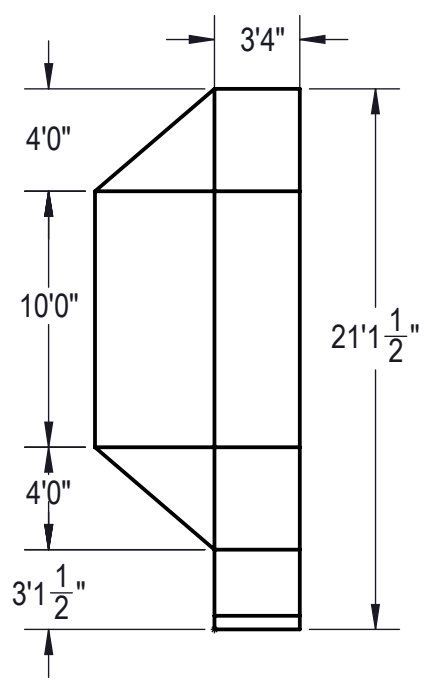
HYDRA POOLS

TITLE: LAYOUT, 18' X 41' LAZY L, LEFT, 4' RADIUS, 8' DEEP, HS110N, LIGHT, 3- INLET, 2- 1084, 600 SERIES

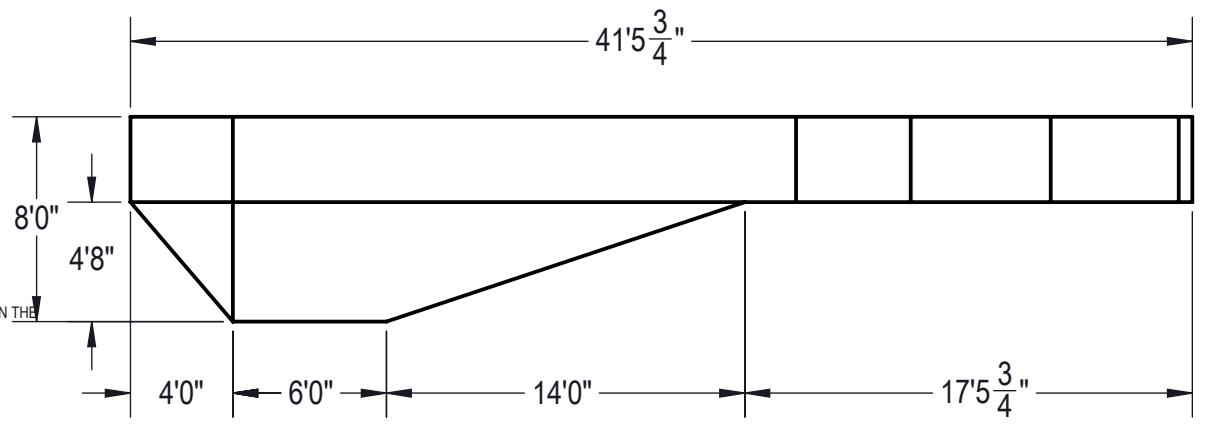
PART NUMBER:

00017475

SCALE: 1:192
SHEET: 1 OF 4
SIZE: **A**



Area: 706.26ft ^2
Perimeter: 109.13ft
Volume = 25281 US gallons



NOTES:

1. THESE ARE FINISHED DIMENSIONS READY FOR THE LINER.
2. DIMENSIONS ARE FROM INSIDE POOL PANELS.
3. ROPE AND FLOAT ASSEMBLY SHOULD BE INSTALLED IN ACCORDANCE WITH CURRENT ANSI/APSP/ICC REGULATIONS
4. HYDRA LINER TRACK FOR STEPS IS INSTALLED WITH THE BARB FACING THE RISER WALL ON THE STEP.

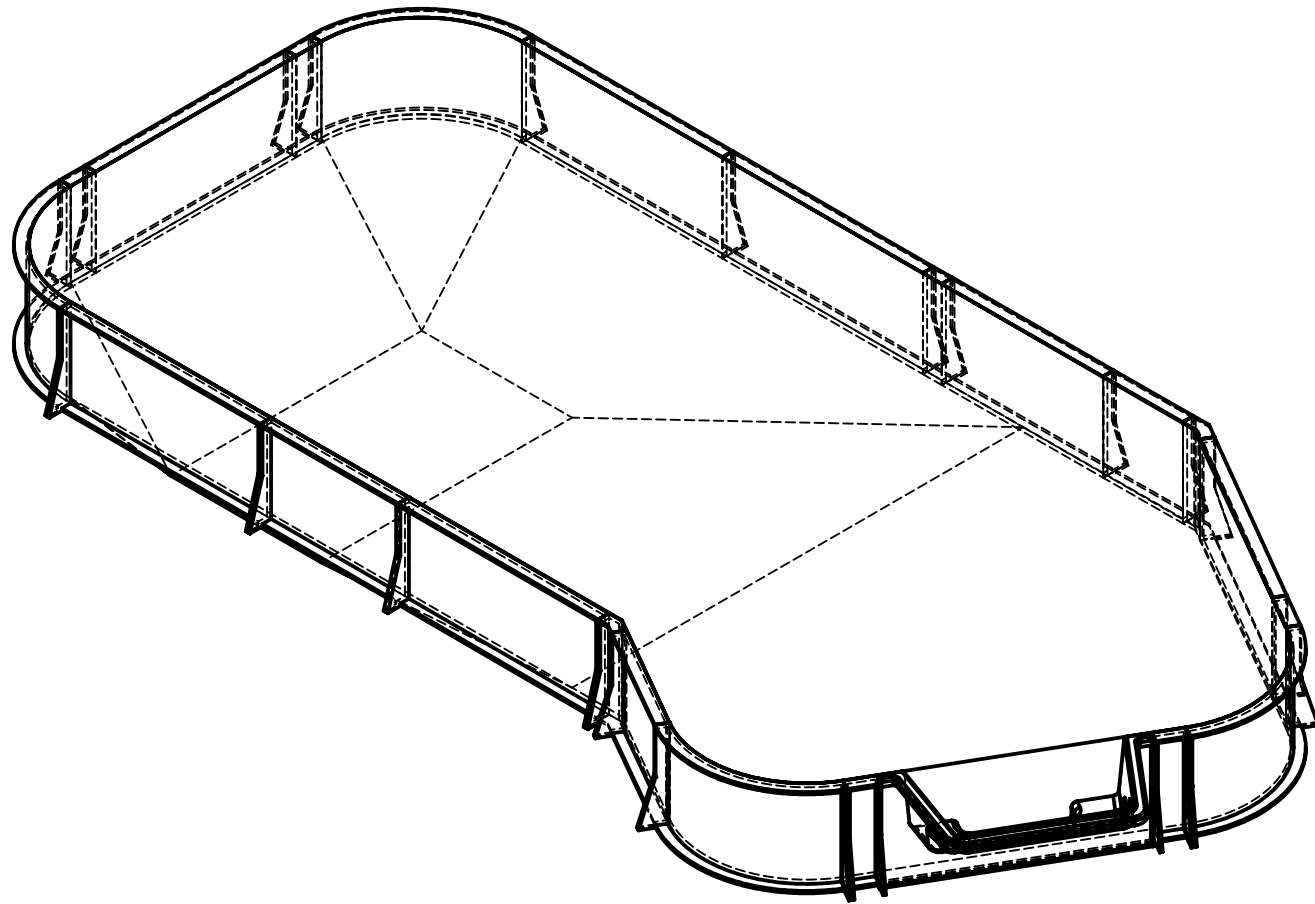
EXCAVATION NOTES:


5. ROUGH EXCAVATION SHOULD BE 2" DEEPER IN EACH INSTANCE.
6. SOIL TO HAVE MINIMUM BEARING CAPACITY OF 1500 PSF.
7. LOCATE TOP OF POOL AT LEAST 6" ABOVE THE SURROUNDING LAND ELEVATION.
8. SEE "OVER DIG DETAIL" FOR EXCAVATION AROUND POOL.
9. FILL VOIDS UNDER BASE OF PANELS AND TAMP WELL.
10. BACK FILL WITH NON-EXPANSIVE MATERIAL.
11. FOLLOW ALL CURRENT ANSI / APSP / ICC GUIDELINES FOR RESIDENTIAL POOLS

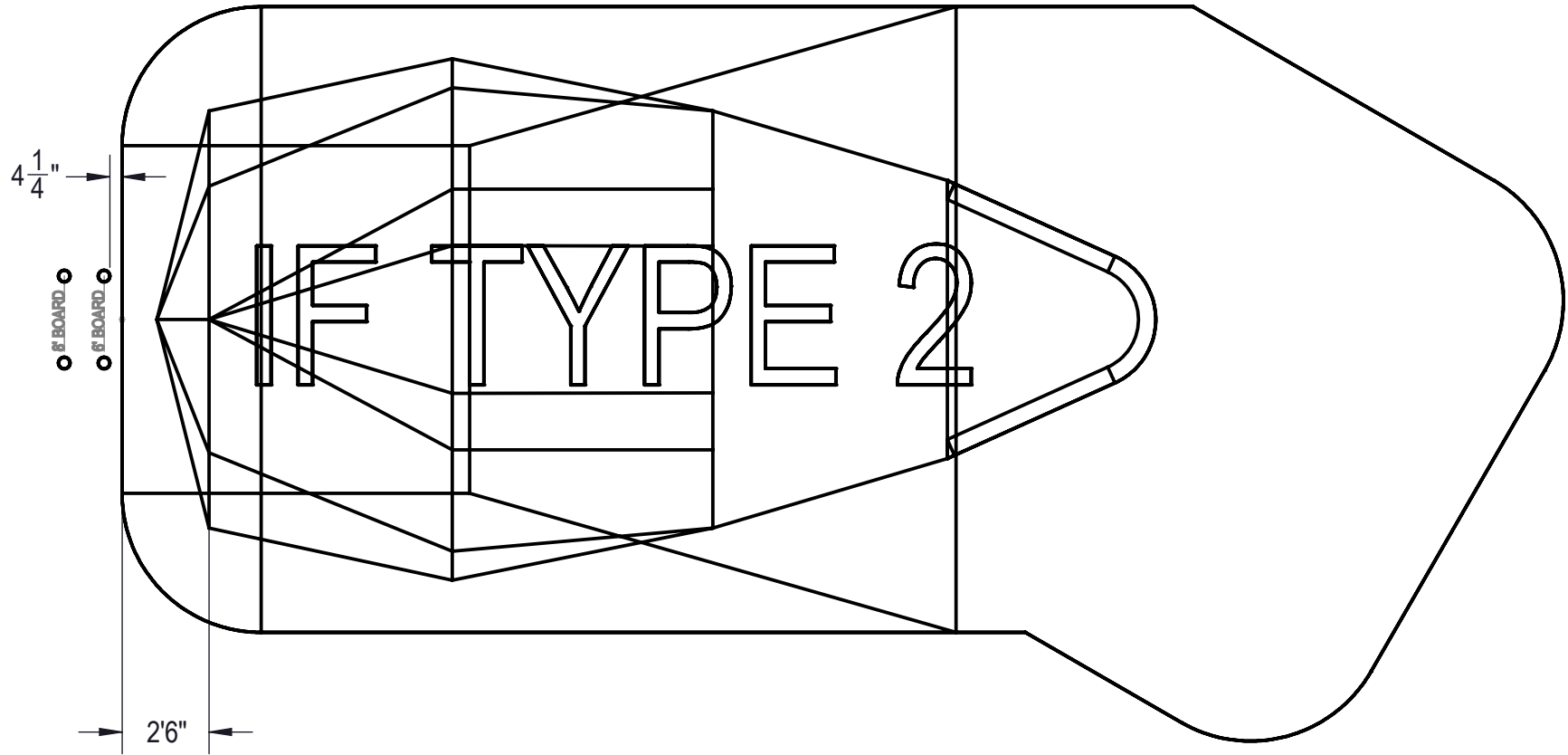
IMPORTANT NOTES:


THIS DOCUMENT IS FOR ILLUSTRATIVE PURPOSES ONLY. THE DEALER OR CONTRACTOR WHO SELLS OR INSTALLS YOUR POOL IS AN INDEPENDENT CONTRACTOR AND IS NOT AN AGENT OF THE MANUFACTURER. THE CONSTRUCTION METHODS ILLUSTRATED HERE ARE SUGGESTIONS AND APPLY ONLY TO NORMAL GROUND CONDITIONS. THERE MAY BE ADDITIONAL PRECAUTIONS AND/OR METHODS OF CONSTRUCTION. PROPER INSTALLATION IS THE RESPONSIBILITY OF THE DEALER/BUILDER/CONTRACTOR.

ENGINEERING DRAWING NUMBER: 00017475	WEIGHT: 210976.840 lbs VOLUME: 5839820.486 Inch ³	UNLESS OTHERWISE SPECIFIED DIMENSIONS ARE IN INCHES TOLERANCES DECIMALS: X ± .1 XX ± .01 XXX ± .001 XXXX ± .0005 ANGULAR: X ± 0.5 THIRD ANGLE PROJECTION	DESIGNED BY: BUMPHREY	CREATION DATE: 8/15/2013	HYDRA POOLS
	COLOR: NA		DETAILED BY: RSANVICENTE	DETAILED DATE: 1/31/2018	
	HEAT TREAT: NA		LAST REVISED BY: hyeng	LAST REVISED DATE: 1/31/2018	TITLE: LAYOUT, 18' X 41' LAZY L, LEFT, 4' RADIUS, 8' DEEP, HS110N, LIGHT, 3- INLET, 2- 1084, 600 SERIES
	FINISH: NA		MATERIAL: Water	PART NUMBER: 00017475	



ENGINEERING DRAWING NUMBER: 00017475	WEIGHT: 324270.5 lbs	UNLESS OTHERWISE SPECIFIED DIMENSIONS ARE IN INCHES TOLERANCES DECIMALS: X ± .1 XX ± .01 XXX ± .001 XXXX ± .0005 ANGULAR: X ± 0.5 THIRD ANGLE PROJECTION 	DESIGNED BY: BUMPHREY	CREATION DATE: 8/15/2013	HYDRA POOLS	
	VOLUME: Inch ³		DETAILED BY: RSANVICENTE	DETAILED DATE: 1/31/2018		
	COLOR:		LAST REVISED BY: hyeng	LAST REVISED DATE: 1/31/2018		
	HEAT TREAT:		MATERIAL:		TITLE: LAYOUT, 18' X 41' LAZY L, LEFT, 4' RADIUS, 8' DEEP, HS110N, LIGHT, 3- INLET, 2- 1084, 600 SERIES	
	FINISH:				PART NUMBER:	
	TEXTURE:				00017475	
			SCALE: 1:192	SIZE: A		
			SHEET: 3 OF 4			



ENGINEERING DRAWING NUMBER: 00017475	WEIGHT: 324270.5 lbs	UNLESS OTHERWISE SPECIFIED DIMENSIONS ARE IN INCHES TOLERANCES DECIMALS: X ± .1 XX ± .01 XXX ± .001 XXXX ± .0005 ANGULAR: X ± 0.5 THIRD ANGLE PROJECTION 	DESIGNED BY: BUMPHREY	CREATION DATE: 8/15/2013	HYDRA POOLS TITLE: LAYOUT, 18' X 41' LAZY L, LEFT, 4' RADIUS, 8' DEEP, HS110N, LIGHT, 3- INLET, 2- 1084, 600 SERIES		
	VOLUME: Inch ³		DETAILED BY: RSANVICENTE	DETAILED DATE: 1/31/2018			
	COLOR:		LAST REVISED BY: hyeng	LAST REVISED DATE: 1/31/2018			
	HEAT TREAT:		MATERIAL:		PART NUMBER:	SCALE: 1:192	00017475 SIZE: A
	FINISH:					SHEET: 4 OF 4	
	TEXTURE:						