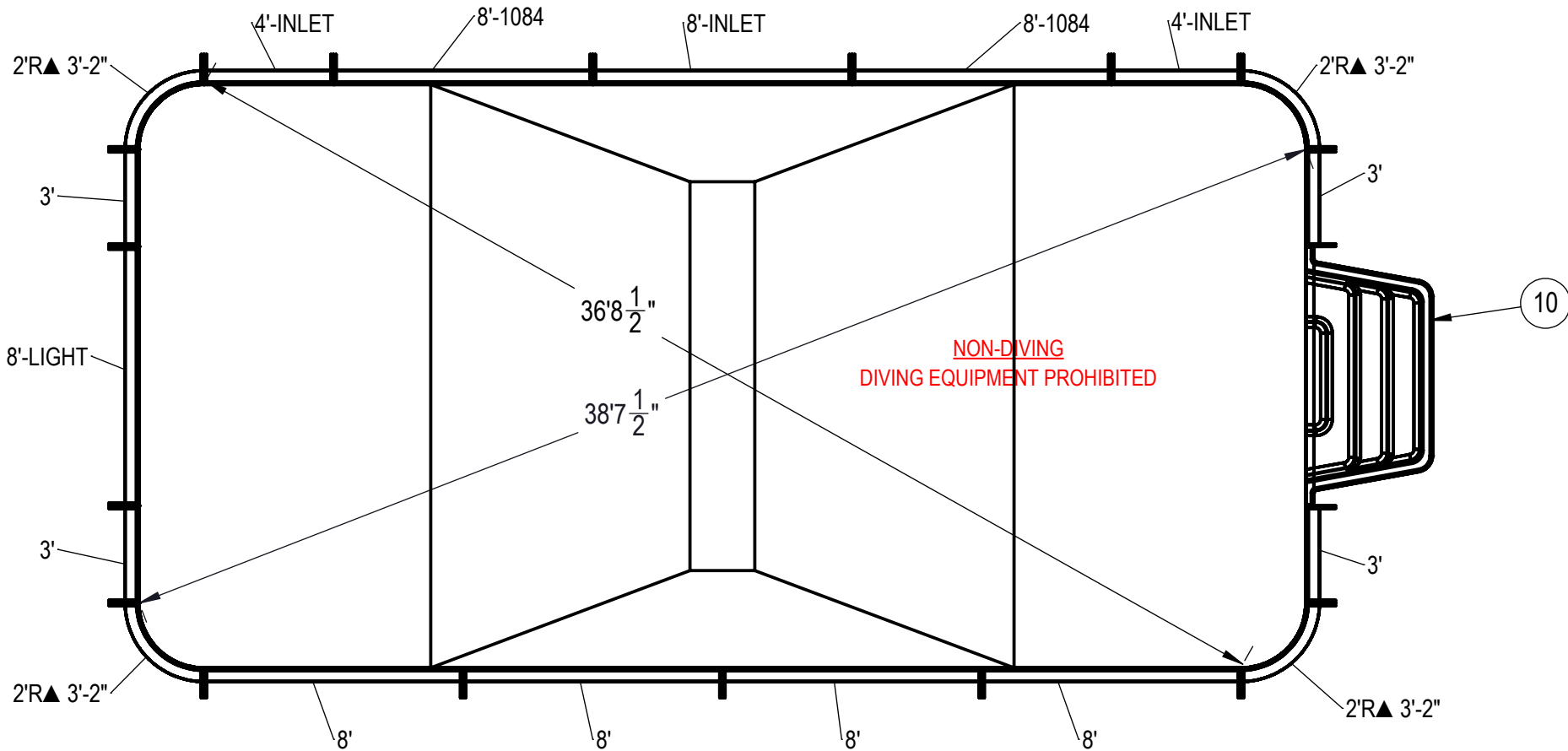


REVISION HISTORY				
REV.	DESCRIPTION	DATE	ECO	BY



**NOTES:**

- THESE ARE FINISHED DIMENSIONS READY FOR THE LINER.
- DIMENSIONS ARE FROM INSIDE POOL PANELS.
- ROPE AND FLOAT ASSEMBLY SHOULD BE INSTALLED IN ACCORDANCE WITH CURRENT ANSI/ASPS/ICC REGULATIONS
- HYDRA LINER TRACK FOR STEPS IS INSTALLED WITH THE BARB FACING THE RISER WALL ON THE STEP.

**EXCAVATION NOTES:**

- ROUGH EXCAVATION SHOULD BE 2" DEEPER IN EACH INSTANCE.
- SOIL TO HAVE MINIMUM BEARING CAPACITY OF 1500 PSF.
- LOCATE TOP OF POOL AT LEAST 6" ABOVE THE SURROUNDING LAND ELEVATION.
- SEE "OVER DIG DETAIL" FOR EXCAVATION AROUND POOL.
- FILL VOIDS UNDER BASE OF PANELS AND TAMP WELL.
- BACK FILL WITH NON-EXPANSIVE MATERIAL.
- FOLLOW ALL CURRENT ANSI / APSP / ICC GUIDELINES FOR RESIDENTIAL POOLS

**IMPORTANT NOTES:**

THIS DOCUMENT IS FOR ILLUSTRATIVE PURPOSES ONLY. THE DEALER OR CONTRACTOR WHO SELLS OR INSTALLS YOUR POOL IS AN INDEPENDENT CONTRACTOR AND IS NOT AN AGENT OF THE MANUFACTURER. THE CONSTRUCTION METHODS ILLUSTRATED HERE ARE SUGGESTIONS AND APPLY ONLY TO NORMAL GROUND CONDITIONS. THERE MAY BE ADDITIONAL PRECAUTIONS AND/OR METHODS OF CONSTRUCTION. PROPER INSTALLATION IS THE RESPONSIBILITY OF THE DEALER/BUILDER/CONTRACTOR.

ITEM	FILE NAME	DESCRIPTION	CUSTOMER DRAWING #	VENDOR PART #	QTY.
1	BOLT, PACK	BOLT, FLANGE, 3/8-16 X 1", PACK (50)	HPS1916	HPS1916	5
2	SBRACE	BRACE, FOLD OVER WITH TURNBUCKLE, STEEL, HPSFOB	HPSFOB	HPSFOB	19
3	PANEL, RADIUS	PANEL, 2' RADIUS, 3-2" LONG, 700 SERIES	HPSE2R	00002541	4
4	PANEL, STRAIGHT	PANEL, 3' LONG, 700 SERIES	HPSE103P	00002661	4
5	PANEL, STRAIGHT	PANEL, 4' LONG, INLET, 700 SERIES	HPSE104I	00006739	2
6	PANEL, STRAIGHT	PANEL, 8' LONG, 1084, 700 SERIES	HPSE10884	00004966	2
7	PANEL, STRAIGHT	PANEL, 8' LONG, 700 SERIES	HPSE108P	00004961	4
8	PANEL, STRAIGHT	PANEL, 8' LONG, INLET, 700 SERIES	HPSE108I	00004969	1
9	PANEL, STRAIGHT	PANEL, 8' LONG, LIGHT, 700 SERIES	HPSE108L	00004962	1
10	HS110N	STEP, 8', TWIN SEAT, 4 TREAD	HS110N	HS110N	1

**UNLESS OTHERWISE SPECIFIED**  
 DIMENSIONS ARE IN INCHES  
 TOLERANCES  
 DECIMALS: X ± .1  
 XX ± .01  
 XXX ± .001  
 XXXX ± .0005  
 ANGULAR: X ± 0.5  
 THIRD ANGLE PROJECTION

ENGINEERING DRAWING NUMBER: 00016916

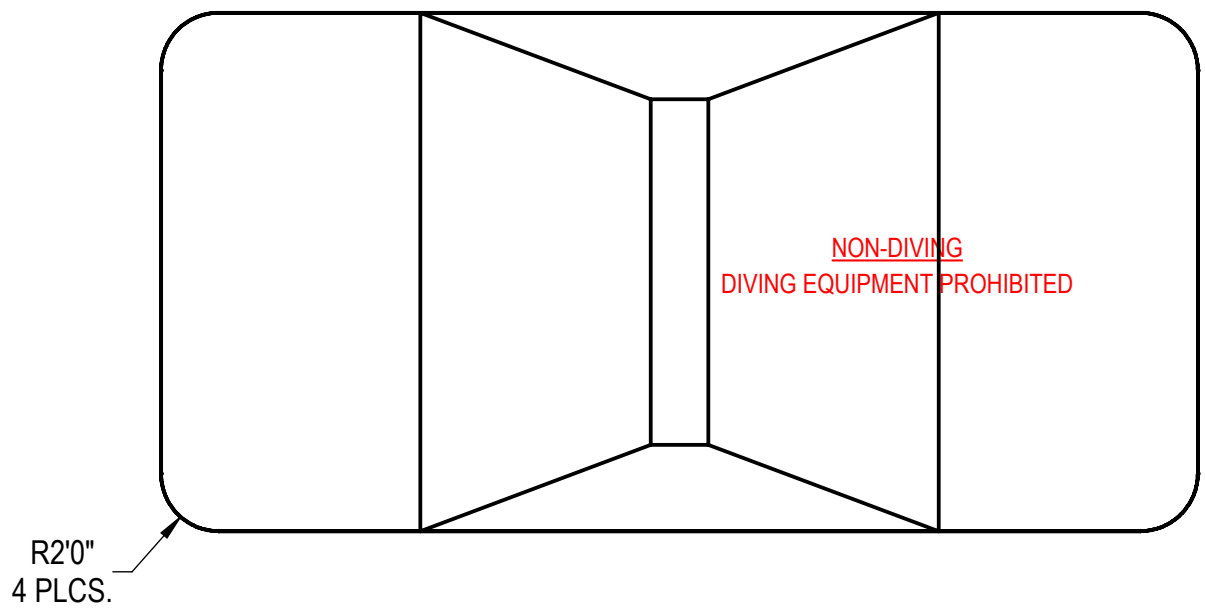
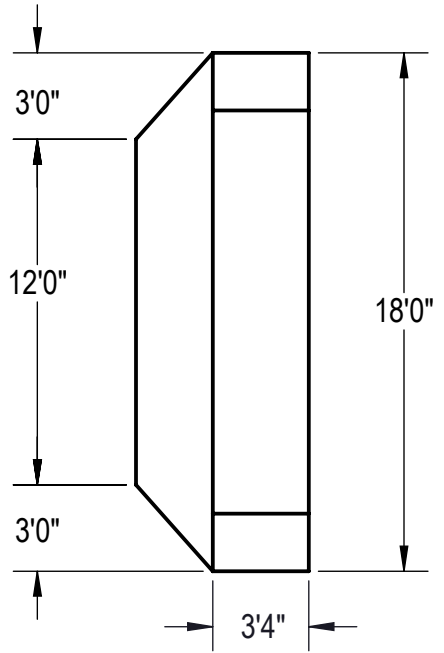
DESIGNED BY: BUMPFREY  
 CREATION DATE: 4/18/2013  
 DETAILED BY: BUMPFREY  
 DETAILED DATE: 12/12/2017  
 LAST REVISED BY: bumpfrey  
 LAST REVISED DATE: 12/12/2017  
 MATERIAL:

**HYDRA POOLS**

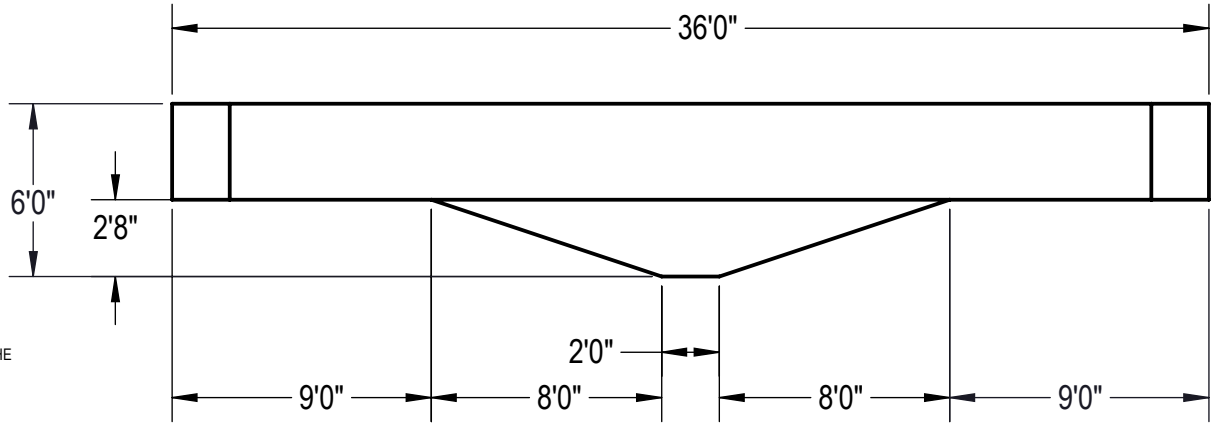
TITLE: LAYOUT, 18' X 36' RECTANGLE, 2' RADIUS, 6' DEEP, SPORT BOTTOM, HS110N, LIGHT, 2-1084, 3-INLET, 700 SERIES

PART NUMBER: 00016916

SCALE: 1:128  
 SHEET: 1 OF 3  
 SIZE: A



**Area: 644.57ft ^2**  
**Perimeter: 104.57ft**  
**Volume = 19224 US gallons**



**NOTES:**

1. THESE ARE FINISHED DIMENSIONS READY FOR THE LINER.
2. DIMENSIONS ARE FROM INSIDE POOL PANELS.
3. ROPE AND FLOAT ASSEMBLY SHOULD BE INSTALLED IN ACCORDANCE WITH CURRENT ANSI/ASPS/ICC REGULATIONS
4. HYDRA LINER TRACK FOR STEPS IS INSTALLED WITH THE BARB FACING THE RISER WALL ON THE STEP.

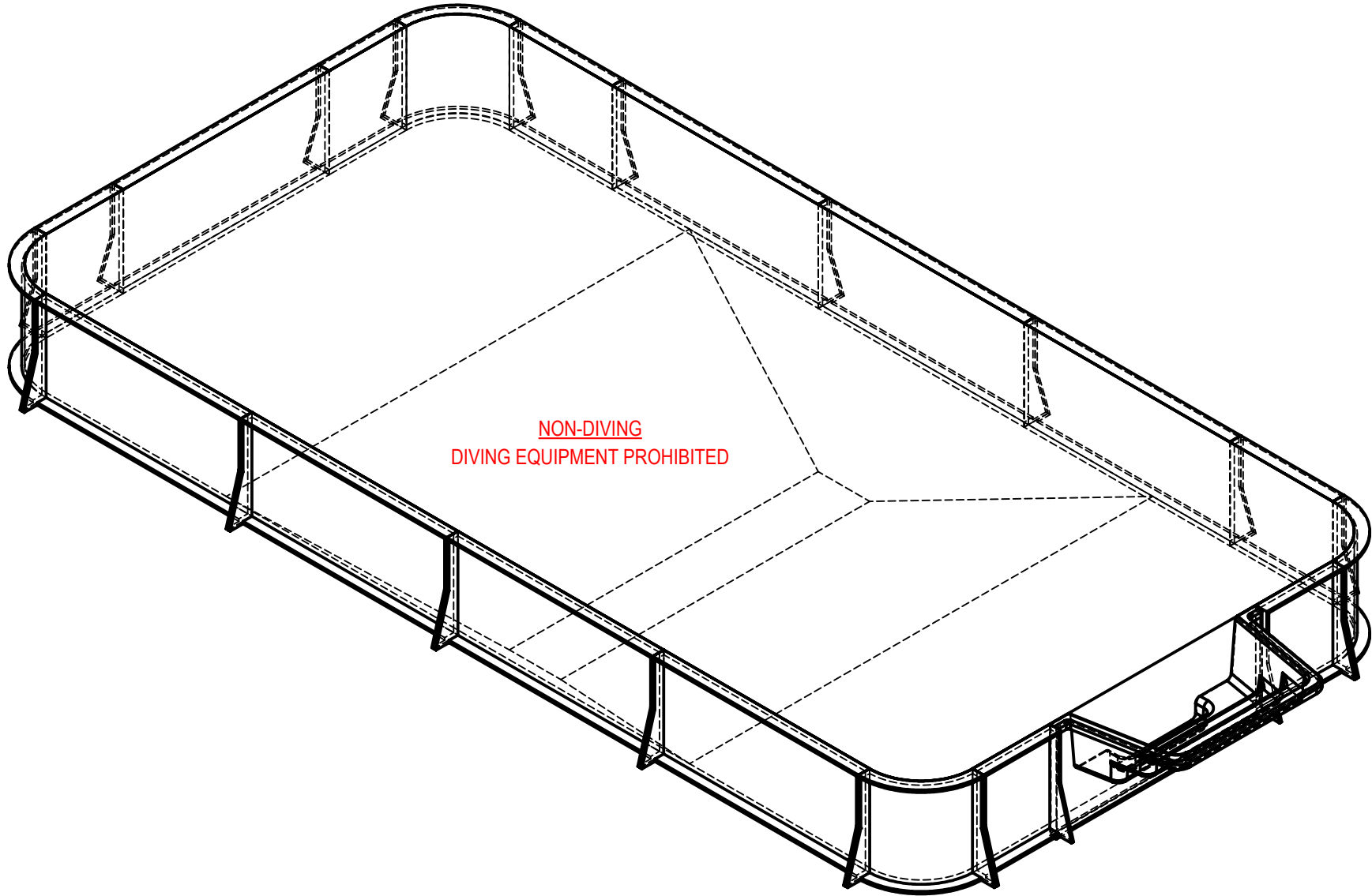
**EXCAVATION NOTES:**

5. ROUGH EXCAVATION SHOULD BE 2" DEEPER IN EACH INSTANCE.
6. SOIL TO HAVE MINIMUM BEARING CAPACITY OF 1500 PSF.
7. LOCATE TOP OF POOL AT LEAST 6" ABOVE THE SURROUNDING LAND ELEVATION.
8. SEE "OVER DIG DETAIL" FOR EXCAVATION AROUND POOL.
9. FILL VOIDS UNDER BASE OF PANELS AND TAMP WELL.
10. BACK FILL WITH NON-EXPANSIVE MATERIAL.
11. FOLLOW ALL CURRENT ANSI / APSP / ICC GUIDELINES FOR RESIDENTIAL POOLS


**IMPORTANT NOTES:**

THIS DOCUMENT IS FOR ILLUSTRATIVE PURPOSES ONLY. THE DEALER OR CONTRACTOR WHO SELLS OR INSTALLS YOUR POOL IS AN INDEPENDENT CONTRACTOR AND IS NOT AN AGENT OF THE MANUFACTURER. THE CONSTRUCTION METHODS ILLUSTRATED HERE ARE SUGGESTIONS AND APPLY ONLY TO NORMAL GROUND CONDITIONS. THERE MAY BE ADDITIONAL PRECAUTIONS AND/OR METHODS OF CONSTRUCTION. PROPER INSTALLATION IS THE RESPONSIBILITY OF THE DEALER/BUILDER/CONTRACTOR.

ENGINEERING DRAWING NUMBER: <b>00016916</b>	WEIGHT:	<b>UNLESS OTHERWISE SPECIFIED</b> DIMENSIONS ARE IN INCHES TOLERANCES DECIMALS: X ± .1 XX ± .01 XXX ± .001 XXXX ± .0005  ANGULAR: X ± 0.5 THIRD ANGLE PROJECTION	DESIGNED BY:	CREATION DATE:	<b>HYDRA POOLS</b>		
	lbs		BUMPHREY	4/16/2013			
	VOLUME:			DETAILED BY:	DETAILED DATE:	TITLE: LAYOUT, 18' X 36' RECTANGLE, 2' RADIUS, 6' DEEP, SPORT BOTTOM, HS110N, LIGHT, 2-1084, 3-INLET, 700 SERIES	
	Inch <sup>3</sup>			BUMPHREY	12/12/2017		
	COLOR:			LAST REVISED BY:	LAST REVISED DATE:		
NA		bumphrey	12/12/2017	PART NUMBER:	SCALE:	SIZE:	
HEAT TREAT:		MATERIAL:		<b>00016916</b>	1:128	<b>A</b>	
NA					SHEET:		
FINISH:					2 OF 3		
NA							
TEXTURE:							
NA							



**NON-DIVING  
 DIVING EQUIPMENT PROHIBITED**

ENGINEERING DRAWING NUMBER: <b>00016916</b>	WEIGHT:	<b>UNLESS OTHERWISE SPECIFIED</b> DIMENSIONS ARE IN INCHES TOLERANCES DECIMALS: X ± .1 XX ± .01 XXX ± .001 XXXX ± .0005  ANGULAR: X ± 0.5 THIRD ANGLE PROJECTION 	DESIGNED BY:	CREATION DATE:	<b>HYDRA POOLS</b>
	lbs		BUMPHREY	4/18/2013	
	VOLUME:		Detailed by:	Detailed Date:	
	Inch <sup>3</sup>		BUMPHREY	12/12/2017	TITLE: LAYOUT, 18' X 36' RECTANGLE, 2' RADIUS, 6' DEEP, SPORT BOTTOM, HS110N, LIGHT, 2-1084, 3-INLET, 700 SERIES
	COLOR:		LAST REVISED BY:	LAST REVISED DATE:	
	NA		bumphrey	12/12/2017	
HEAT TREAT:	MATERIAL:		PART NUMBER:	SCALE:	SIZE:
NA			<b>00016916</b>	1:128	<b>A</b>
FINISH:				SHEET:	
NA				3 OF 3	
TEXTURE:					
NA					