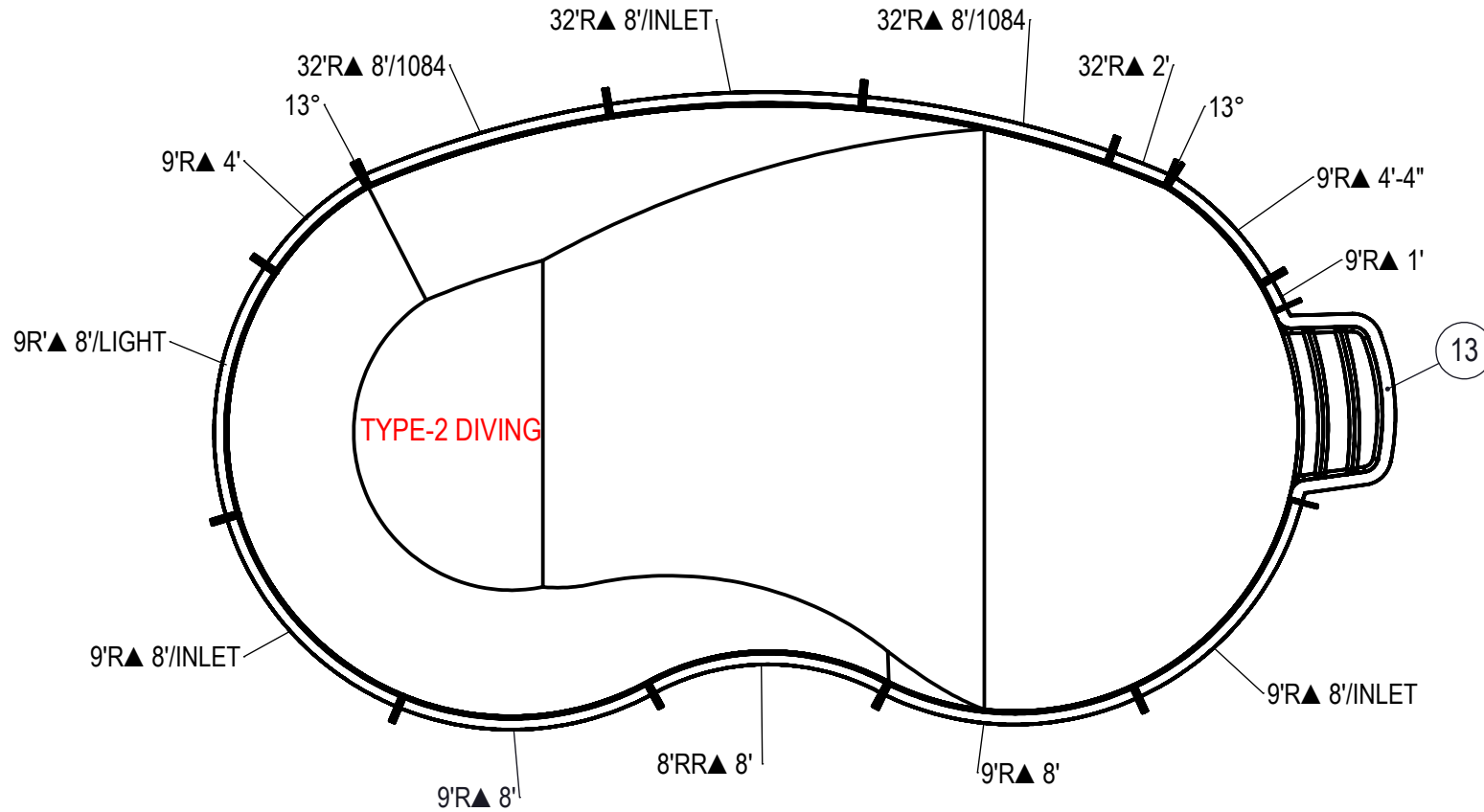


REVISION HISTORY				
REV.	DESCRIPTION	DATE	ECO	BY



**NOTES:**

- THESE ARE FINISHED DIMENSIONS READY FOR THE LINER.
- DIMENSIONS ARE FROM INSIDE POOL PANELS.
- ROPE AND FLOAT ASSEMBLY SHOULD BE INSTALLED IN ACCORDANCE WITH CURRENT ANSI/ASPS/ICC REGULATIONS
- HYDRA LINER TRACK FOR STEPS IS INSTALLED WITH THE BARB FACING THE RISER WALL ON THE STEP.

**EXCAVATION NOTES:**

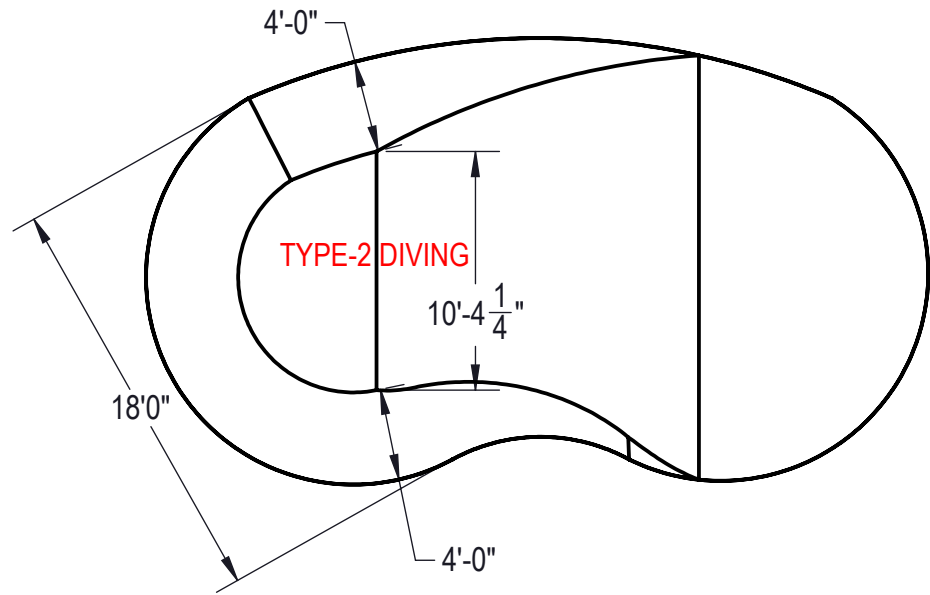
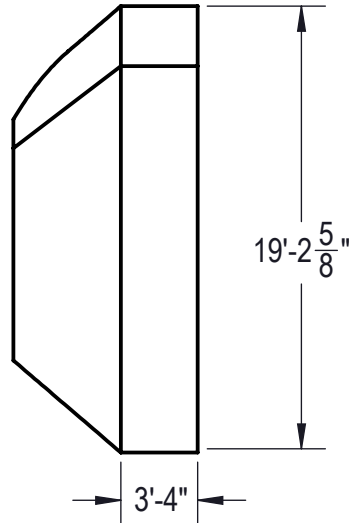
- ROUGH EXCAVATION SHOULD BE 2" DEEPER IN EACH INSTANCE.
- SOIL TO HAVE MINIMUM BEARING CAPACITY OF 1500 PSF.
- LOCATE TOP OF POOL AT LEAST 6" ABOVE THE SURROUNDING LAND ELEVATION.
- SEE "OVER DIG DETAIL" FOR EXCAVATION AROUND POOL.
- FILL VOIDS UNDER BASE OF PANELS AND TAMP WELL.
- BACK FILL WITH NON-EXPANSIVE MATERIAL.
- FOLLOW ALL CURRENT ANSI / APSP / ICC GUIDELINES FOR RESIDENTIAL POOLS

**IMPORTANT NOTES:**

THIS DOCUMENT IS FOR ILLUSTRATIVE PURPOSES ONLY. THE DEALER OR CONTRACTOR WHO SELLS OR INSTALLS YOUR POOL IS AN INDEPENDENT CONTRACTOR AND IS NOT AN AGENT OF THE MANUFACTURER. THE CONSTRUCTION METHODS ILLUSTRATED HERE ARE SUGGESTIONS AND APPLY ONLY TO NORMAL GROUND CONDITIONS. THERE MAY BE ADDITIONAL PRECAUTIONS AND/OR METHODS OF CONSTRUCTION. PROPER INSTALLATION IS THE RESPONSIBILITY OF THE DEALER/BUILDER/CONTRACTOR.

ITEM	FILE NAME	DESCRIPTION	CUSTOMER DRAWING #	VENDOR PART #	QTY
1	BOLT, PACK	BOLT, FLANGE, 3/8-16 X 1", PACK (50)	HPS1916	HPS1916	4
2	SBRACE	BRACE, FOLD OVER WITH TURNBUCKLE, STEEL, HPSFOB	HPSFOB	HPSFOB	14
3	PANEL, RADIUS	PANEL, 32' RADIUS, 2' LONG, 600 SERIES	HPSD32R2	00002108	1
4	PANEL, RADIUS	PANEL, 32' RADIUS, 8' LONG, 1084, 600 SERIES	HPS32R884	00001026	2
5	PANEL, RADIUS	PANEL, 32' RADIUS, 8' LONG, INLET, 600 SERIES	HPSD32R8I	00001115	1
6	PANEL, RR	PANEL, 8' REVERSE RADIUS, 8' LONG, 600 SERIES	HPSD8RR8	00000347	1
7	PANEL, RADIUS	PANEL, 9' RADIUS, 1' LONG, 600 SERIES	HPSD9R1	00000348	1
8	PANEL, RADIUS	PANEL, 9' RADIUS, 4' LONG, 600 SERIES	HPSD9R4	00000353	1
9	PANEL, RADIUS	PANEL, 9' RADIUS, 4'-4" LONG, 600 SERIES	HPSCR5	00007845	1
10	PANEL, RADIUS	PANEL, 9' RADIUS, 8' LONG, 600 SERIES	HPSD9R8	00000395	2
11	PANEL, RADIUS	PANEL, 9' RADIUS, 8' LONG, LIGHT, 600 SERIES	HPSD9R8L	00000398	1
12	PANEL, RADIUS	PANEL, 9' RADIUS, 8', INLET OR LED, 600 SERIES	HPS9R8I	00000275	2
13	HS303N	STEP, 9' RADIUS, 3 TREAD, CANTILEVER	HS303N	HS303N	1
14	PANEL, WEDGE	WEDGE, 42" X 2 1/2" X 2 1/2" X 13"	HPSD13W	00004886	2

ENGINEERING DRAWING NUMBER: <b>00017490</b>	WEIGHT: lbs	<b>UNLESS OTHERWISE SPECIFIED</b> DIMENSIONS ARE IN INCHES TOLERANCES DECIMALS: X ± .1 XX ± .01 XXX ± .001 XXXX ± .0005  ANGULAR: X ± 0.5 THIRD ANGLE PROJECTION	DESIGNED BY: <b>BUMPHREY</b>	CREATION DATE: <b>8/2/2013</b>	<b>HYDRA POOLS</b>
	VOLUME: Inch <sup>3</sup>		DETAILED BY: <b>BUMPHREY</b>	DETAILED DATE: <b>2/1/2018</b>	
	COLOR: NA		LAST REVISED BY: <b>bumphrey</b>	LAST REVISED DATE: <b>2/1/2018</b>	
	HEAT TREAT: NA		TITLE: <b>LAYOUT, 18' X 34', KIDNEY, LEFT, 8" DEEP, HS303N, LIGHT, 2-1084, 3-INLET, 600 SERIES</b>		
	FINISH: NA		PART NUMBER: <b>00017490</b>		
TEXTURE: 	SCALE: 1:128		SIZE: <b>A</b>		



**Area: 541.19ft ^2**  
**Perimeter: 89.33ft**  
**Volume = 20471 US gallons**

**NOTES:**

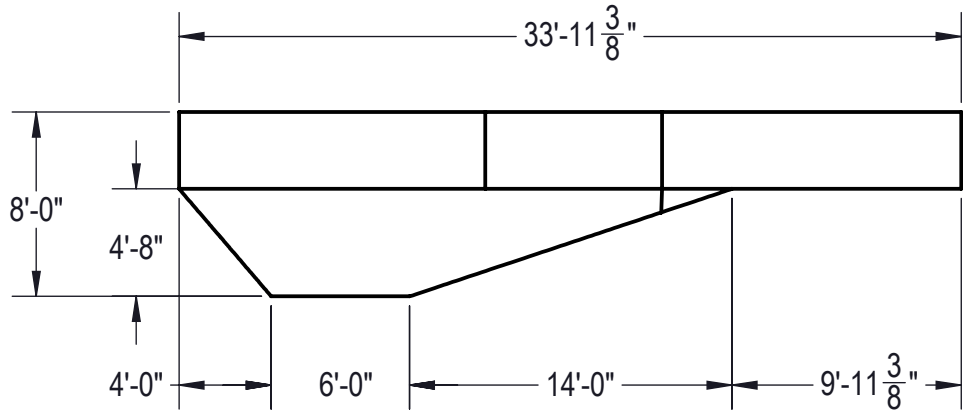
1. THESE ARE FINISHED DIMENSIONS READY FOR THE LINER.
2. DIMENSIONS ARE FROM INSIDE POOL PANELS.
3. ROPE AND FLOAT ASSEMBLY SHOULD BE INSTALLED IN ACCORDANCE WITH CURRENT ANSI/ASPS/ICC REGULATIONS
4. HYDRA LINER TRACK FOR STEPS IS INSTALLED WITH THE BARB FACING THE RISER WALL ON THE STEP.

**EXCAVATION NOTES:**

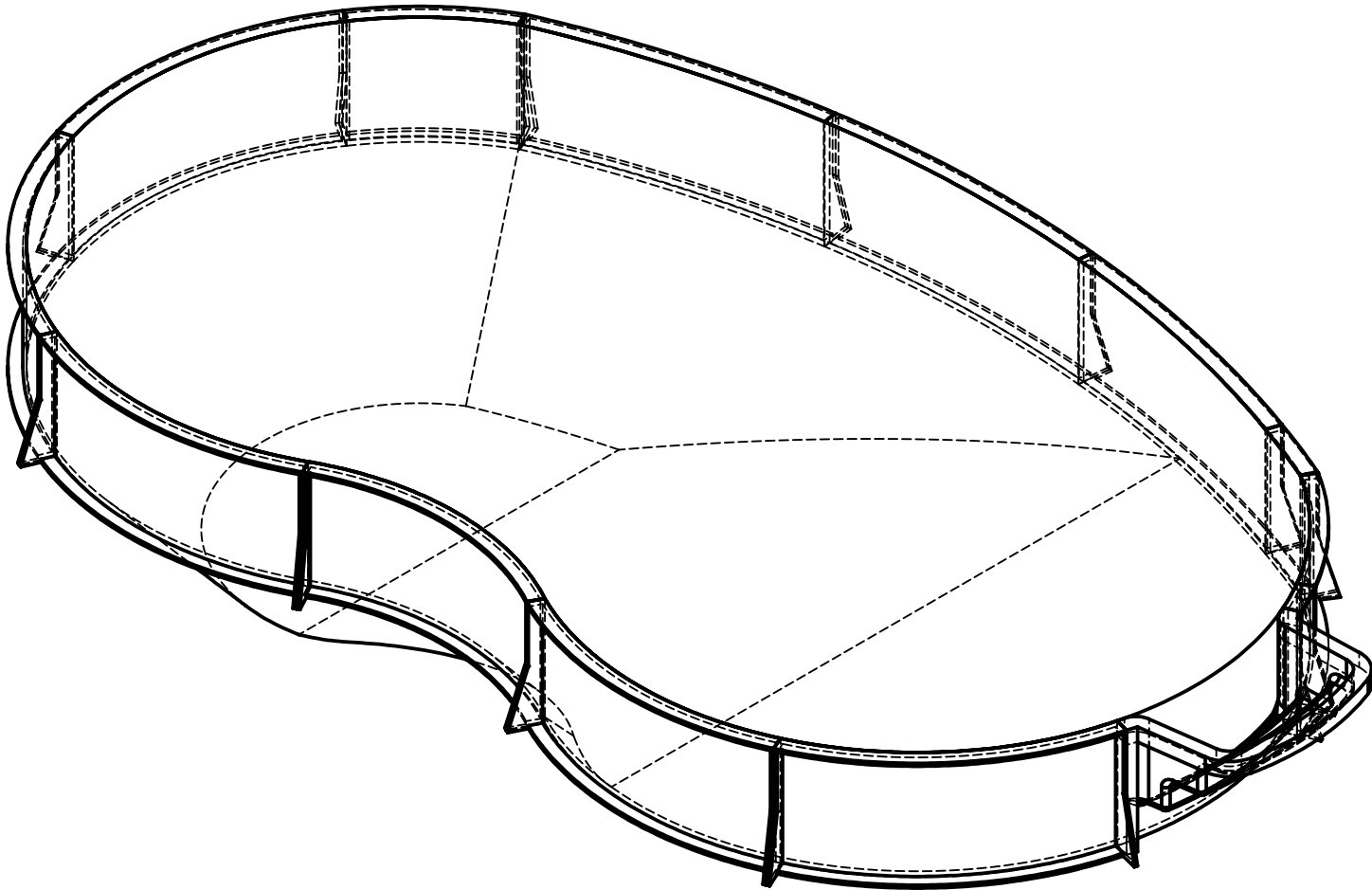
5. ROUGH EXCAVATION SHOULD BE 2" DEEPER IN EACH INSTANCE.
6. SOIL TO HAVE MINIMUM BEARING CAPACITY OF 1500 PSF.
7. LOCATE TOP OF POOL AT LEAST 6" ABOVE THE SURROUNDING LAND ELEVATION.
8. SEE "OVER DIG DETAIL" FOR EXCAVATION AROUND POOL.
9. FILL VOIDS UNDER BASE OF PANELS AND TAMP WELL.
10. BACK FILL WITH NON-EXPANSIVE MATERIAL.
11. FOLLOW ALL CURRENT ANSI / APSP / ICC GUIDELINES FOR RESIDENTIAL POOLS

**IMPORTANT NOTES:**


THIS DOCUMENT IS FOR ILLUSTRATIVE PURPOSES ONLY. THE DEALER OR CONTRACTOR WHO SELLS OR INSTALLS YOUR POOL IS AN INDEPENDENT CONTRACTOR AND IS NOT AN AGENT OF THE MANUFACTURER. THE CONSTRUCTION METHODS ILLUSTRATED HERE ARE SUGGESTIONS AND APPLY ONLY TO NORMAL GROUND CONDITIONS. THERE MAY BE ADDITIONAL PRECAUTIONS AND/OR METHODS OF CONSTRUCTION. PROPER INSTALLATION IS THE RESPONSIBILITY OF THE DEALER/BUILDER/CONTRACTOR.

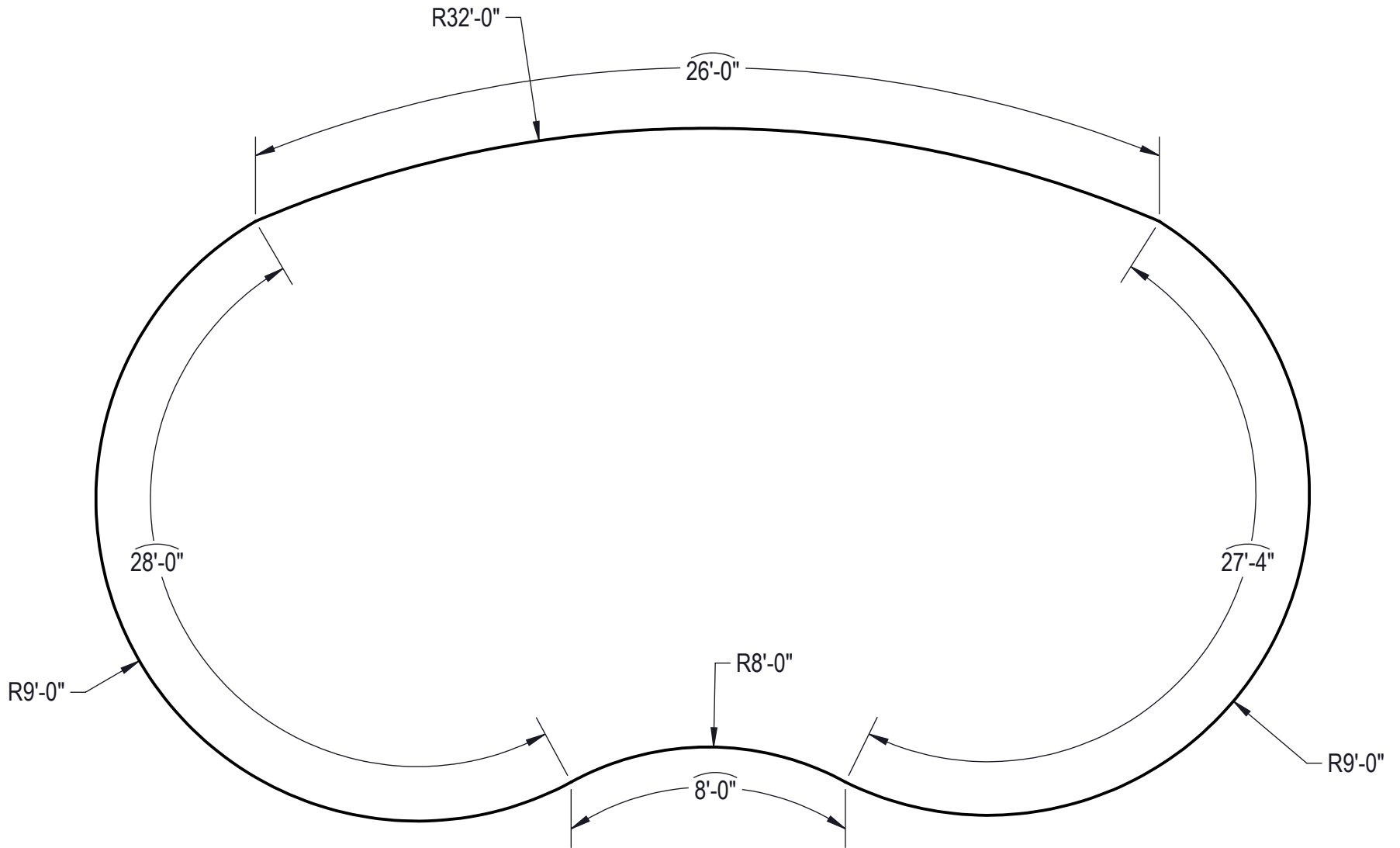


ENGINEERING DRAWING NUMBER: <b>00017490</b>	WEIGHT:	<b>UNLESS OTHERWISE SPECIFIED</b> DIMENSIONS ARE IN INCHES TOLERANCES DECIMALS: X ± .1 XX ± .01 XXX ± .001 XXXX ± .0005  ANGULAR: X ± 0.5 THIRD ANGLE PROJECTION 	DESIGNED BY:	CREATION DATE:	<b>HYDRA POOLS</b>
	lbs		BUMPHREY	8/2/2013	
	VOLUME:		Detailed by:	Detailed Date:	TITLE: LAYOUT, 18' X 34', KIDNEY, LEFT, 8" DEEP, HS303N, LIGHT, 2-1084, 3-INLET, 600 SERIES
	Inch <sup>3</sup>		BUMPHREY	2/1/2018	
COLOR:	LAST REVISED BY:	LAST REVISED DATE:			
NA	bumphrey	2/1/2018	PART NUMBER:	SCALE:	SIZE:
HEAT TREAT:	MATERIAL:		<b>00017490</b>	1:128	A
NA				SHEET:	
FINISH:				2 OF 4	
NA					
TEXTURE:					
NA					



MIRROR NUMBER: 00017490 CHECK IN DATE/TIME: Thursday, February 01, 2018 9:02:45 AM

ENGINEERING DRAWING NUMBER: <b>00017490</b>	WEIGHT:	<b>UNLESS OTHERWISE SPECIFIED</b> DIMENSIONS ARE IN INCHES TOLERANCES DECIMALS: X ± .1 XX ± .01 XXX ± .001 XXXX ± .0005  ANGULAR: X ± 0.5 THIRD ANGLE PROJECTION 	DESIGNED BY:	CREATION DATE:	<b>HYDRA POOLS</b>  TITLE: LAYOUT, 18' X 34', KIDNEY, LEFT, 8" DEEP, HS303N, LIGHT, 2-1084, 3-INLET, 600 SERIES  PART NUMBER: <span style="font-size: 1.5em; font-weight: bold;">00017490</span>
	lbs		BUMPHREY	8/2/2013	
	VOLUME:		DETAILED BY:	DETAILED DATE:	
	Inch <sup>3</sup>		BUMPHREY	2/1/2018	
	COLOR:		LAST REVISED BY:	LAST REVISED DATE:	
	NA		bumphrey	2/1/2018	
HEAT TREAT:	MATERIAL:		SCALE:	SIZE:	
NA			1:60	A	
FINISH:			SHEET:		
NA			3 OF 4		
TEXTURE:					



ENGINEERING DRAWING NUMBER: <b>00017490</b>	WEIGHT:	<b>UNLESS OTHERWISE SPECIFIED</b> DIMENSIONS ARE IN INCHES TOLERANCES DECIMALS: X ± .1 XX ± .01 XXX ± .001 XXXX ± .0005  ANGULAR: X ± 0.5 THIRD ANGLE PROJECTION 	DESIGNED BY:	CREATION DATE:	<b>HYDRA POOLS</b>
	lbs		BUMPHREY	8/2/2013	
	VOLUME:		Detailed by:	Detailed date:	
	Inch <sup>3</sup>		BUMPHREY	2/1/2018	TITLE: LAYOUT, 18' X 34', KIDNEY, LEFT, 8" DEEP, HS303N, LIGHT, 2-1084, 3-INLET, 600 SERIES
	COLOR:		LAST REVISED BY:	LAST REVISED DATE:	
	NA		bumphrey	2/1/2018	PART NUMBER:
HEAT TREAT:	MATERIAL:		<b>00017490</b>	1:48	<b>A</b>
NA				SHEET:	
FINISH:				4 OF 4	
TEXTURE:					
NA					