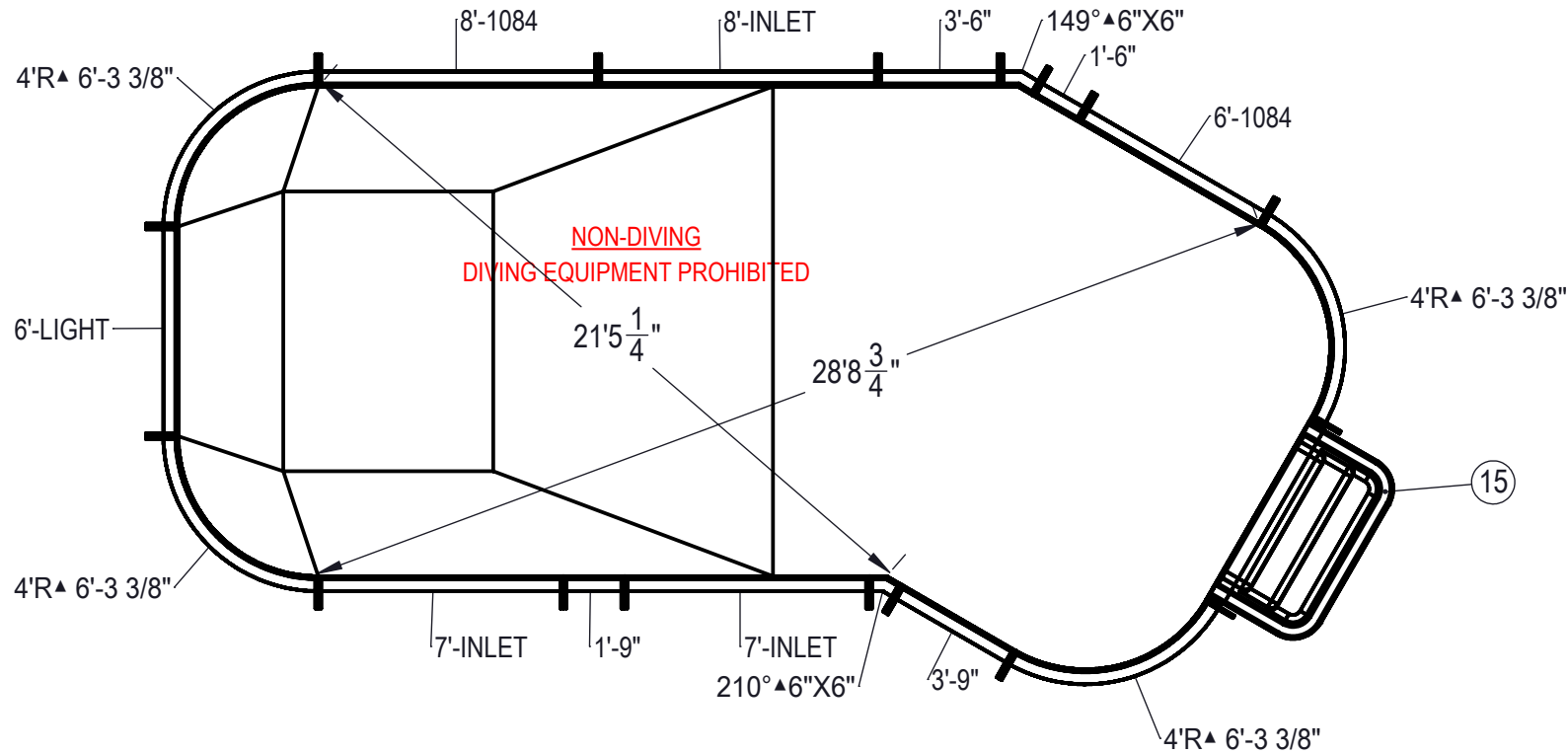


REVISION HISTORY				
REV.	DESCRIPTION	DATE	ECO	BY
A	RELEASED FOR QUOTE	1/30/2018		RSANVICENTE
B	ADJUSTED PANEL	1/30/2018		RSANVICENTE



NON-DIVING
DIVING EQUIPMENT PROHIBITED

NOTES:

- THESE ARE FINISHED DIMENSIONS READY FOR THE LINER.
- DIMENSIONS ARE FROM INSIDE POOL PANELS.
- ROPE AND FLOAT ASSEMBLY SHOULD BE INSTALLED IN ACCORDANCE WITH CURRENT ANSI/ASPS/ICC REGULATIONS
- HYDRA LINER TRACK FOR STEPS IS INSTALLED WITH THE BARB FACING THE RISER WALL ON THE STEP.

EXCAVATION NOTES:

- ROUGH EXCAVATION SHOULD BE 2" DEEPER IN EACH INSTANCE.
- SOIL TO HAVE MINIMUM BEARING CAPACITY OF 1500 PSF.
- LOCATE TOP OF POOL AT LEAST 6" ABOVE THE SURROUNDING LAND ELEVATION.
- SEE "OVER DIG DETAIL" FOR EXCAVATION AROUND POOL.
- FILL VOIDS UNDER BASE OF PANELS AND TAMP WELL.
- BACK FILL WITH NON-EXPANSIVE MATERIAL.
- FOLLOW ALL CURRENT ANSI / APSP / ICC GUIDELINES FOR RESIDENTIAL POOLS

IMPORTANT NOTES:

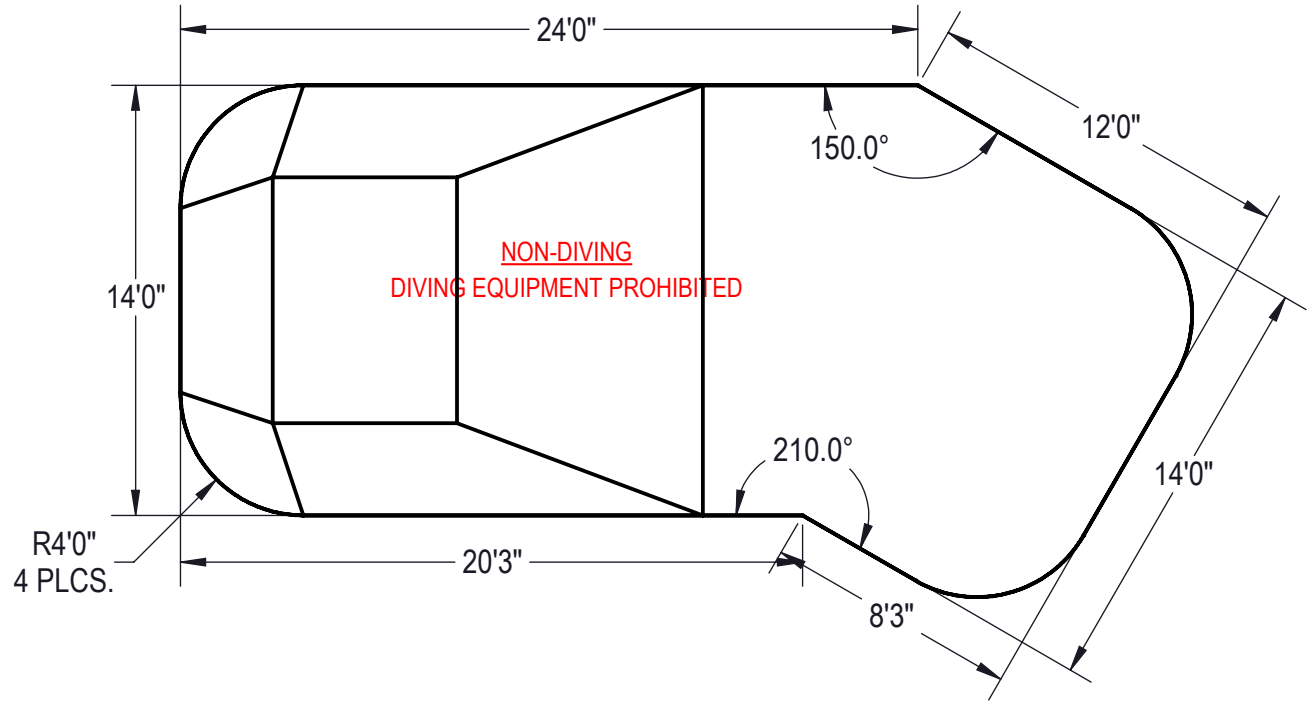
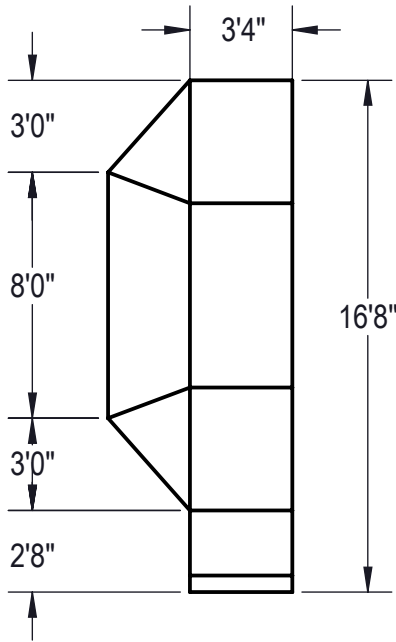
THIS DOCUMENT IS FOR ILLUSTRATIVE PURPOSES ONLY. THE DEALER OR CONTRACTOR WHO SELLS OR INSTALLS YOUR POOL IS AN INDEPENDENT CONTRACTOR AND IS NOT AN AGENT OF THE MANUFACTURER. THE CONSTRUCTION METHODS ILLUSTRATED HERE ARE SUGGESTIONS AND APPLY ONLY TO NORMAL GROUND CONDITIONS. THERE MAY BE ADDITIONAL PRECAUTIONS AND/OR METHODS OF CONSTRUCTION. PROPER INSTALLATION IS THE RESPONSIBILITY OF THE DEALER/BUILDER/CONTRACTOR.

ITEM	FILE NAME	DESCRIPTION	CUSTOMER DRAWING #	VENDOR PART #	QTY.
1	BOLT, PACK	BOLT, FLANGE, 3/8-16 X 1", PACK (50)	HPS1916	HPS1916	4
2	SBRACE	BRACE, FOLD OVER WITH TURNBUCKLE, STEEL, HPSFOB	HPSFOB	HPSFOB	16
3	PANEL, ANGLE	PANEL, ANGLE, 6" X 6" X 149°, 600 SERIES	HPSD6X6149	00001388	1
4	PANEL, ANGLE	PANEL, ANGLE, 6" X 6" X 210°, 600 SERIES	HPSDLLR	00001675	1
5	PANEL, STRAIGHT	PANEL, 1'-6" LONG, 600 SERIES	HPSD16P	00001252	1
6	PANEL, STRAIGHT	PANEL, 1'-9" LONG, 600 SERIES	HPSD19P	00001292	1
7	PANEL, STRAIGHT	PANEL, 3'-6" LONG, 600 SERIES	HPSD1036P	00002022	1
8	PANEL, STRAIGHT	PANEL, 3'-9" LONG, 600 SERIES	HPSD39P	00001348	1
9	PANEL, RADIUS	PANEL, 4' RADIUS, 6'-3 3/8" LONG, 600 SERIES	HPSD4R	00000289	4
10	PANEL, STRAIGHT	PANEL, 6' LONG, 1084, 600 SERIES	HPS10684	00000283	1
11	PANEL, STRAIGHT	PANEL, 6' LONG, LIGHT, 600 SERIES	HPSD106L	00000679	1
12	PANEL, STRAIGHT	PANEL, 7' LONG, INLET, 600 SERIES	HPS1071	00005251	2
13	PANEL, STRAIGHT	PANEL, 8' LONG, 1084, 600 SERIES	HPSD10884	00002006	1
14	PANEL, STRAIGHT	PANEL, 8' LONG, INLET, 600 SERIES	HPSD108I	00000699	2
15	HS104N	STEP, 6" THREE TREAD, STRAIGHT	HS104N	HS104N	1

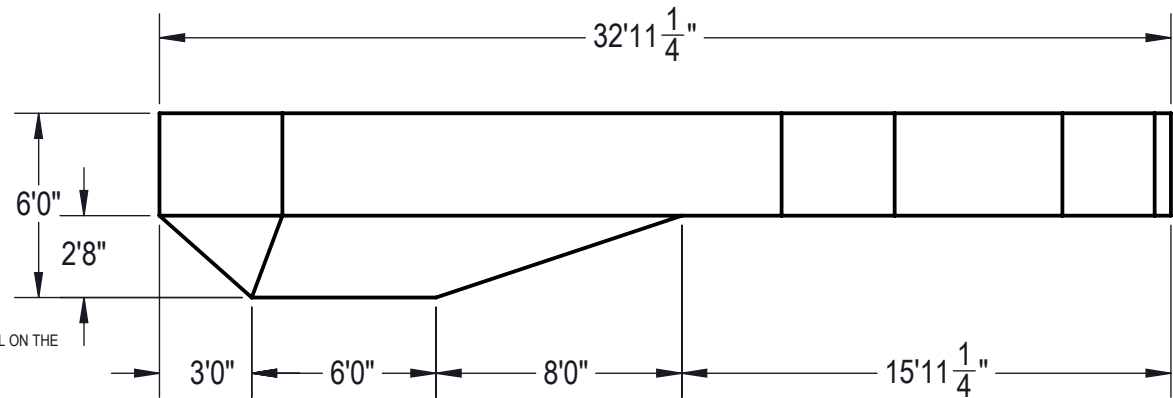
ENGINEERING DRAWING NUMBER: 00017450	WEIGHT: 131032.9 lbs	UNLESS OTHERWISE SPECIFIED DIMENSIONS ARE IN INCHES TOLERANCES DECIMALS: X ± .1 XX ± .01 XXX ± .001 XXXX ± .0005 ANGULAR: X ± 0.5 THIRD ANGLE PROJECTION
	VOLUME: Inch³	
	COLOR:	
	HEAT TREAT:	
	FINISH:	
	TEXTURE:	

DESIGNED BY: BUMPHREY	CREATION DATE: 8/15/2013
DETAILED BY: RSANVICENTE	DETAILED DATE: 1/30/2018
LAST REVISED BY: hyeng	LAST REVISED DATE: 1/30/2018
MATERIAL:	

HYDRA POOLS	
TITLE: LAYOUT, 14' X 32' LAZY L, LEFT, 4' RADIUS, 6' DEEP, HS104N, LIGHT, 3- INLET, 2- 1084, 600 SERIES	
PART NUMBER: 00017450	SCALE: 1:192 SHEET: 1 OF 3 SIZE: A



Area: 437.75ft ^2
Perimeter: 85.63ft
Volume = 13503 US gallons



NOTES:

1. THESE ARE FINISHED DIMENSIONS READY FOR THE LINER.
2. DIMENSIONS ARE FROM INSIDE POOL PANELS.
3. ROPE AND FLOAT ASSEMBLY SHOULD BE INSTALLED IN ACCORDANCE WITH CURRENT ANSI/ASPS/ICC REGULATIONS
4. HYDRA LINER TRACK FOR STEPS IS INSTALLED WITH THE BARB FACING THE RISER WALL ON THE STEP.

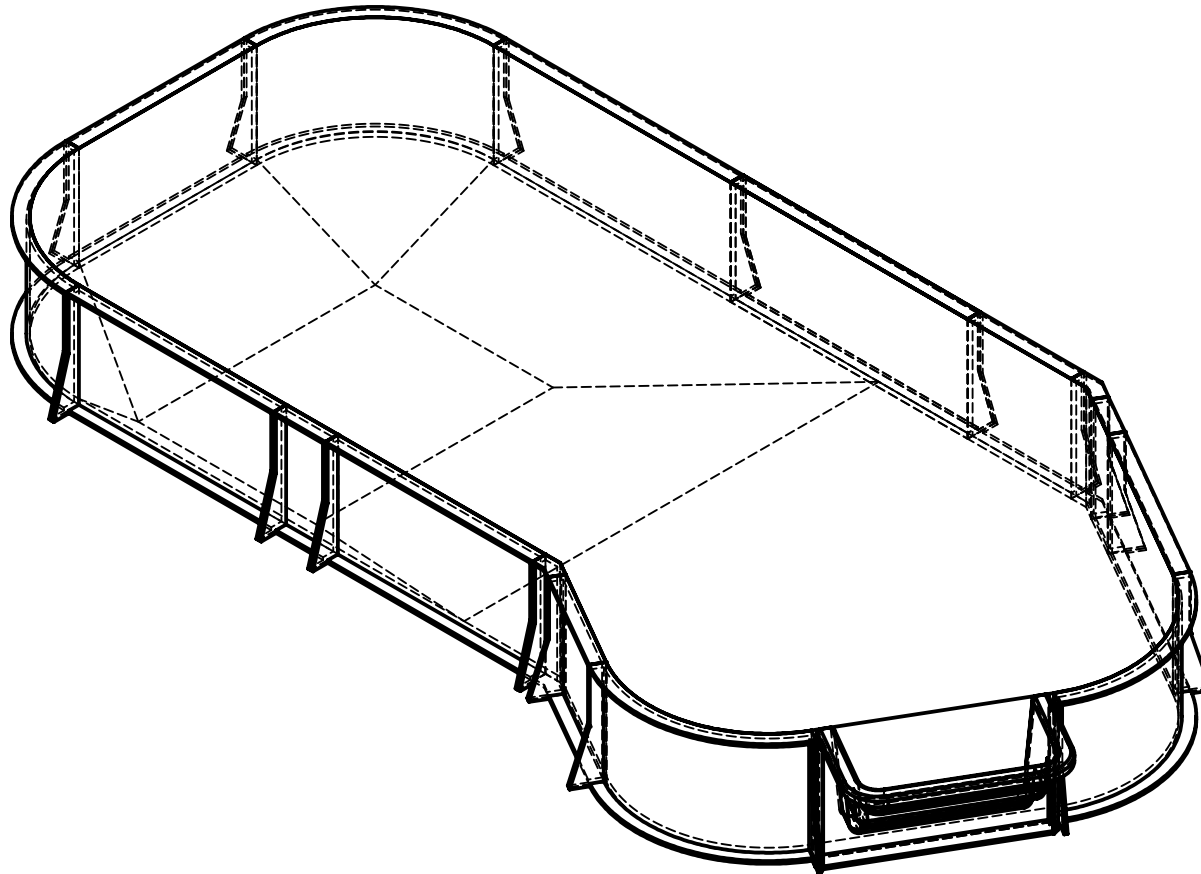
EXCAVATION NOTES:


5. ROUGH EXCAVATION SHOULD BE 2" DEEPER IN EACH INSTANCE.
6. SOIL TO HAVE MINIMUM BEARING CAPACITY OF 1500 PSF.
7. LOCATE TOP OF POOL AT LEAST 6" ABOVE THE SURROUNDING LAND ELEVATION.
8. SEE "OVER DIG DETAIL" FOR EXCAVATION AROUND POOL.
9. FILL VOIDS UNDER BASE OF PANELS AND TAMP WELL.
10. BACK FILL WITH NON-EXPANSIVE MATERIAL.
11. FOLLOW ALL CURRENT ANSI / APSP / ICC GUIDELINES FOR RESIDENTIAL POOLS

IMPORTANT NOTES:

THIS DOCUMENT IS FOR ILLUSTRATIVE PURPOSES ONLY. THE DEALER OR CONTRACTOR WHO SELLS OR INSTALLS YOUR POOL IS AN INDEPENDENT CONTRACTOR AND IS NOT AN AGENT OF THE MANUFACTURER. THE CONSTRUCTION METHODS ILLUSTRATED HERE ARE SUGGESTIONS AND APPLY ONLY TO NORMAL GROUND CONDITIONS. THERE MAY BE ADDITIONAL PRECAUTIONS AND/OR METHODS OF CONSTRUCTION. PROPER INSTALLATION IS THE RESPONSIBILITY OF THE DEALER/BUILDER/CONTRACTOR.

ENGINEERING DRAWING NUMBER: 00017450	WEIGHT: 112686.714 lbs	UNLESS OTHERWISE SPECIFIED DIMENSIONS ARE IN INCHES TOLERANCES DECIMALS: X ± .1 XX ± .01 XXX ± .001 XXXX ± .0005 ANGULAR: X ± 0.5 THIRD ANGLE PROJECTION 	DESIGNED BY: BUMPHREY	CREATION DATE: 8/15/2013	HYDRA POOLS
	VOLUME: 3119158.399 Inch³		DETAILED BY: RSANVICENTE	DETAILED DATE: 1/30/2018	
	COLOR: NA		LAST REVISED BY: hyeng	LAST REVISED DATE: 1/30/2018	TITLE: LAYOUT, 14' X 32' LAZY L, LEFT, 4' RADIUS, 6' DEEP, HS104N, LIGHT, 3- INLET, 2- 1084, 600 SERIES
	HEAT TREAT: NA		MATERIAL: Water	PART NUMBER: 00017450	SCALE: 1:192 SHEET: 2 OF 3
FINISH: NA					
TEXTURE: NA					



ENGINEERING DRAWING NUMBER: 00017450	WEIGHT: 131032.9 lbs	UNLESS OTHERWISE SPECIFIED DIMENSIONS ARE IN INCHES TOLERANCES DECIMALS: X ± .1 XX ± .01 XXX ± .001 XXXX ± .0005 ANGULAR: X ± 0.5 THIRD ANGLE PROJECTION 	DESIGNED BY: BUMPHREY	CREATION DATE: 8/15/2013	HYDRA POOLS	
	VOLUME: Inch ³		DETAILED BY: RSANVICENTE	DETAILED DATE: 1/30/2018		
	COLOR:		LAST REVISED BY: hyeng	LAST REVISED DATE: 1/30/2018		
	HEAT TREAT:		MATERIAL:		TITLE: LAYOUT, 14' X 32' LAZY L, LEFT, 4' RADIUS, 6" DEEP, HS104N, LIGHT, 3- INLET, 2- 1084, 600 SERIES	
	FINISH:					
	TEXTURE:					
		PART NUMBER:		SCALE: 1:192	SIZE: A	
		00017450		SHEET: 3 OF 3		