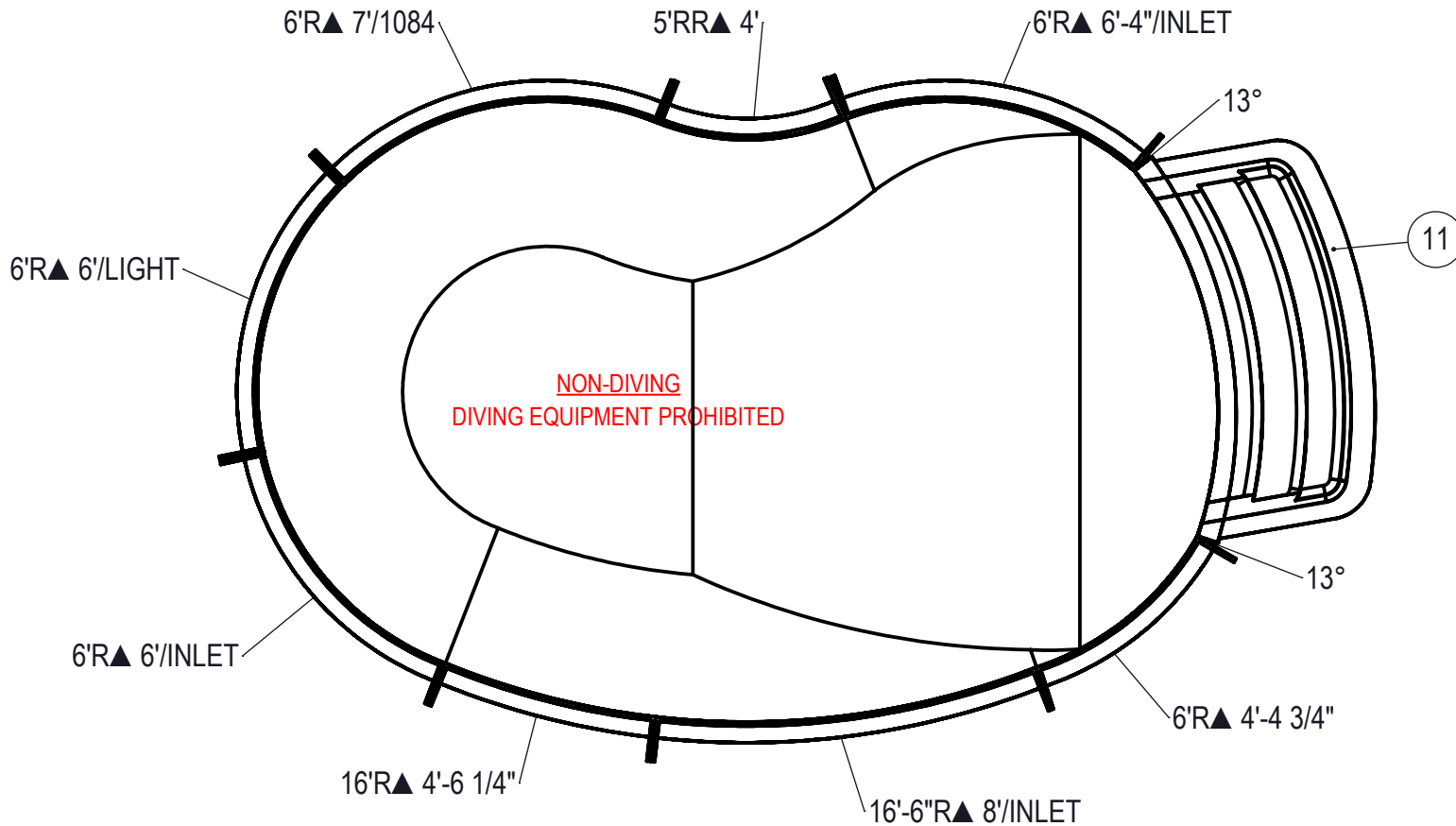


REVISION HISTORY				
REV.	DESCRIPTION	DATE	ECO	BY



NOTES:

- THESE ARE FINISHED DIMENSIONS READY FOR THE LINER.
- DIMENSIONS ARE FROM INSIDE POOL PANELS.
- ROPE AND FLOAT ASSEMBLY SHOULD BE INSTALLED IN ACCORDANCE WITH CURRENT ANSI/ASPS/ICC REGULATIONS
- HYDRA LINER TRACK FOR STEPS IS INSTALLED WITH THE BARB FACING THE RISER WALL ON THE STEP.

EXCAVATION NOTES:

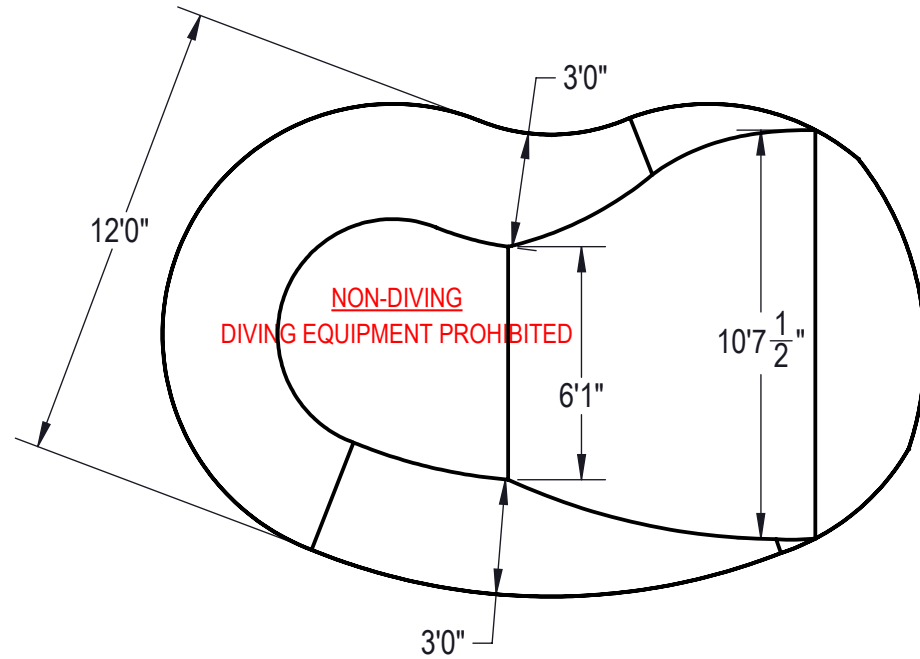
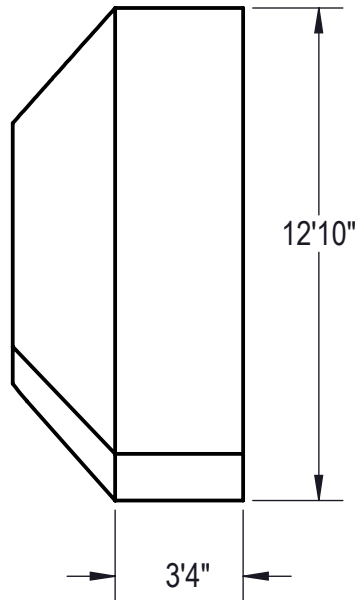
- ROUGH EXCAVATION SHOULD BE 2" DEEPER IN EACH INSTANCE.
- SOIL TO HAVE MINIMUM BEARING CAPACITY OF 1500 PSF.
- LOCATE TOP OF POOL AT LEAST 6" ABOVE THE SURROUNDING LAND ELEVATION.
- SEE "OVER DIG DETAIL" FOR EXCAVATION AROUND POOL.
- FILL VOIDS UNDER BASE OF PANELS AND TAMP WELL.
- BACK FILL WITH NON-EXPANSIVE MATERIAL.
- FOLLOW ALL CURRENT ANSI / APSP / ICC GUIDELINES FOR RESIDENTIAL POOLS

IMPORTANT NOTES:

THIS DOCUMENT IS FOR ILLUSTRATIVE PURPOSES ONLY. THE DEALER OR CONTRACTOR WHO SELLS OR INSTALLS YOUR POOL IS AN INDEPENDENT CONTRACTOR AND IS NOT AN AGENT OF THE MANUFACTURER. THE CONSTRUCTION METHODS ILLUSTRATED HERE ARE SUGGESTIONS AND APPLY ONLY TO NORMAL GROUND CONDITIONS. THERE MAY BE ADDITIONAL PRECAUTIONS AND/OR METHODS OF CONSTRUCTION. PROPER INSTALLATION IS THE RESPONSIBILITY OF THE DEALER/BUILDER/CONTRACTOR.

ITEM	FILE NAME	DESCRIPTION	CUSTOMER DRAWING #	VENDOR PART #	QTY.
1	BOLT, PACK	BOLT, FLANGE, 3/8-16 X 1", PACK (50)	HPS1916	HPS1916	2
2	SBRACE	BRACE, FOLD OVER WITH TURNBUCKLE, STEEL, HPSFOB	HPSFOB	HPSFOB	9
3	PANEL, RADIUS	PANEL, 16' RADIUS, 4'-6 1/4" LONG, 600 SERIES	HPSD16R5	00004764	1
4	PANEL, RADIUS	PANEL, 16'-6" RADIUS, 8' LONG, INLET, 600 SERIES	HPSCR8	00003371	1
5	PANEL, RR	PANEL, 5' REVERSE RADIUS, 4' LONG, 600 SERIES	HPSD5RR4	00002464	1
6	PANEL, RADIUS	PANEL, 6' RADIUS, 4'-4 3/4" LONG, 600 SERIES	HPSCR5	00003988	1
7	PANEL, RADIUS	PANEL, 6' RADIUS, 6' LONG, INLET, 600 SERIES	HPSD6R6I	00000242	1
8	PANEL, RADIUS	PANEL, 6' RADIUS, 6' LONG, LIGHT, 600 SERIES	HPSD6R6L	00000298	1
9	PANEL, RADIUS	PANEL, 6' RADIUS, 6'-4" LONG, INLET, 600 SERIES	HPSCR7	00006692	1
10	PANEL, RADIUS	PANEL, 6' RADIUS, 7' LONG, 1084, 600 SERIES	HSPCR8	00009724	1
11	HS106N	STEP, 8' RADIUS, 3 TREAD	HS106N	HS106N	1
12	PANEL, WEDGE	WEDGE, 42" X 2 1/2" X 2 1/2" X 13°	HPSD13W	00004886	2

ENGINEERING DRAWING NUMBER: 00017497	WEIGHT: lbs	UNLESS OTHERWISE SPECIFIED DIMENSIONS ARE IN INCHES TOLERANCES DECIMALS: X ± .1 XX ± .01 XXX ± .001 XXXX ± .0005 ANGULAR: X ± 0.5 THIRD ANGLE PROJECTION	DESIGNED BY: BUMPHREY	CREATION DATE: 8/14/2017	HYDRA POOLS
	VOLUME: Inch ³		DETAILED BY: BUMPHREY	DETAILED DATE: 2/1/2018	
	COLOR: NA		LAST REVISED BY: bumphrey	LAST REVISED DATE: 2/1/2018	
	HEAT TREAT: NA		MATERIAL:		
FINISH: NA			TITLE: LAYOUT, 12' X 20', KIDNEY, RIGHT, 6' DEEP, LIGHT, 1084, 3-INLET, 600 SERIES		PART NUMBER: 00017497
TEXTURE: NA			SCALE: 1:60	SIZE: A	
					SHEET: 1 OF 4



Area: 212.28ft ^2
Perimeter: 54.25ft
Volume = 7316 US gallons

NOTES:

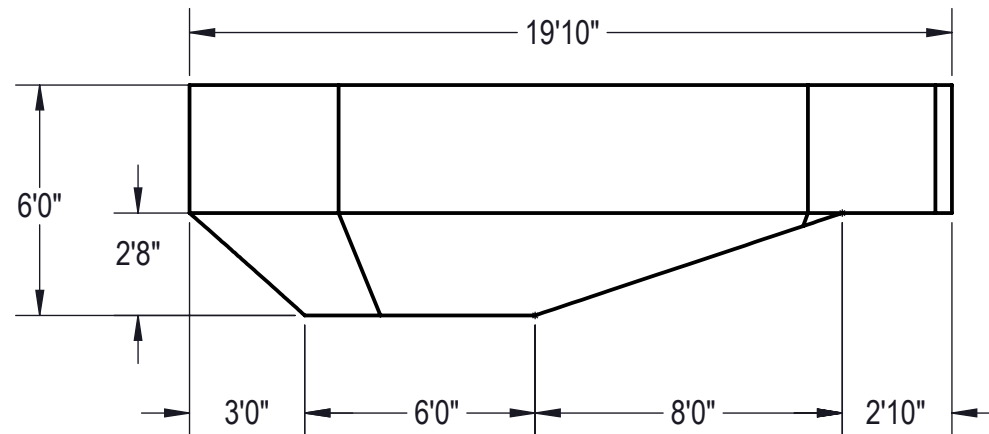
1. THESE ARE FINISHED DIMENSIONS READY FOR THE LINER.
2. DIMENSIONS ARE FROM INSIDE POOL PANELS.
3. ROPE AND FLOAT ASSEMBLY SHOULD BE INSTALLED IN ACCORDANCE WITH CURRENT ANSI/ASPS/ICC REGULATIONS
4. HYDRA LINER TRACK FOR STEPS IS INSTALLED WITH THE BARB FACING THE RISER WALL ON THE STEP.

EXCAVATION NOTES:

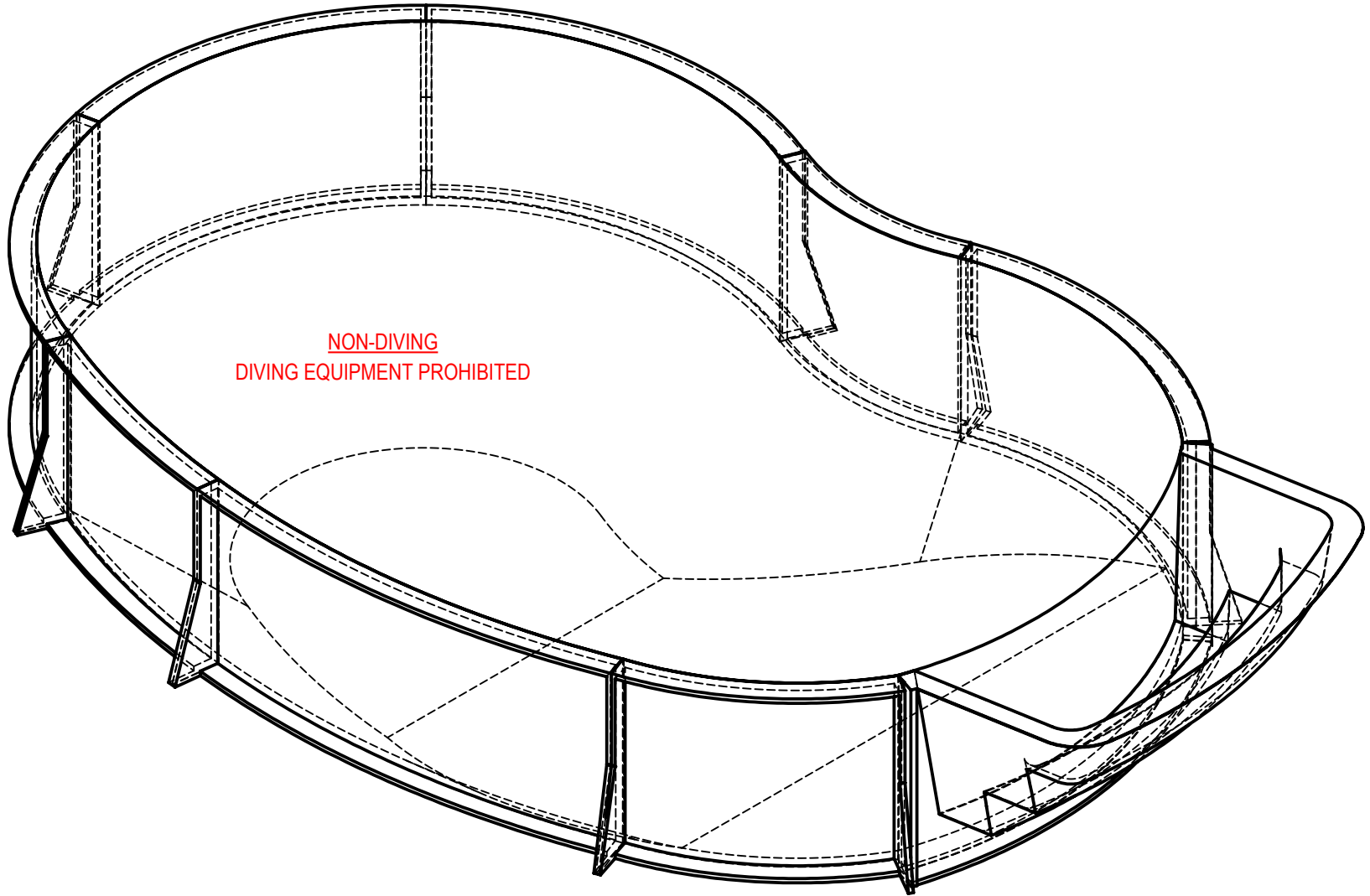
5. ROUGH EXCAVATION SHOULD BE 2" DEEPER IN EACH INSTANCE.
6. SOIL TO HAVE MINIMUM BEARING CAPACITY OF 1500 PSF.
7. LOCATE TOP OF POOL AT LEAST 6" ABOVE THE SURROUNDING LAND ELEVATION.
8. SEE "OVER DIG DETAIL" FOR EXCAVATION AROUND POOL.
9. FILL VOIDS UNDER BASE OF PANELS AND TAMP WELL.
10. BACK FILL WITH NON-EXPANSIVE MATERIAL.
11. FOLLOW ALL CURRENT ANSI / APSP / ICC GUIDELINES FOR RESIDENTIAL POOLS

IMPORTANT NOTES:


THIS DOCUMENT IS FOR ILLUSTRATIVE PURPOSES ONLY. THE DEALER OR CONTRACTOR WHO SELLS OR INSTALLS YOUR POOL IS AN INDEPENDENT CONTRACTOR AND IS NOT AN AGENT OF THE MANUFACTURER. THE CONSTRUCTION METHODS ILLUSTRATED HERE ARE SUGGESTIONS AND APPLY ONLY TO NORMAL GROUND CONDITIONS. THERE MAY BE ADDITIONAL PRECAUTIONS AND/OR METHODS OF CONSTRUCTION. PROPER INSTALLATION IS THE RESPONSIBILITY OF THE DEALER/BUILDER/CONTRACTOR.

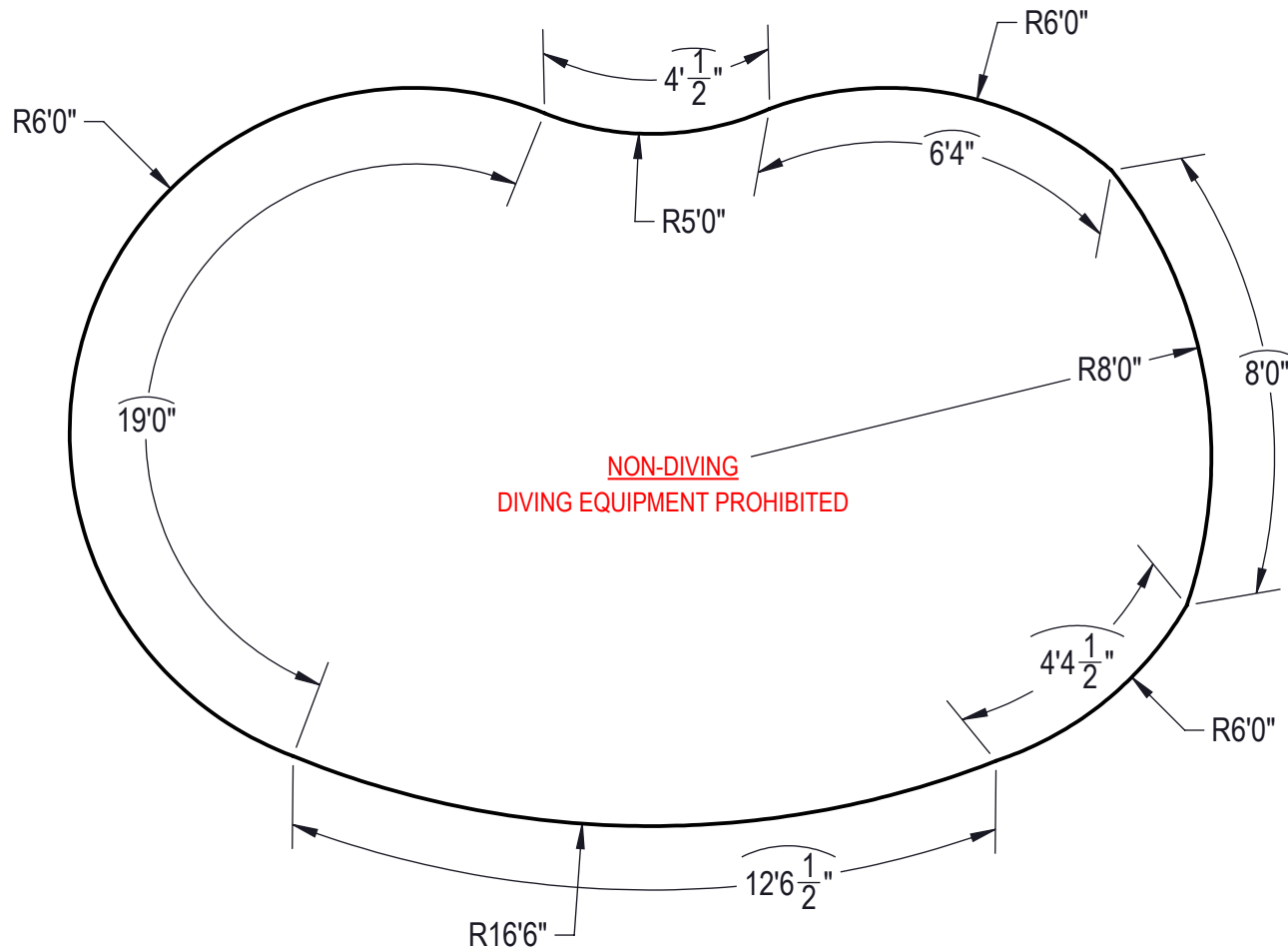


ENGINEERING DRAWING NUMBER 00017497	WEIGHT: 61058.723 lbs	UNLESS OTHERWISE SPECIFIED DIMENSIONS ARE IN INCHES TOLERANCES DECIMALS: X ± .1 XX ± .01 XXX ± .001 XXXX ± .0005 ANGULAR: X ± 0.5 THIRD ANGLE PROJECTION	DESIGNED BY: BUMPHREY	CREATION DATE: 8/14/2017	HYDRA POOLS	
	VOLUME: 1690100.119 Inch ³		DETAILED BY: BUMPHREY	DETAILED DATE: 2/1/2018		
	COLOR: NA		LAST REVISED BY: bumphrey	LAST REVISED DATE: 2/1/2018	TITLE: LAYOUT, 12' X 20', KIDNEY, RIGHT, 6' DEEP, LIGHT, 1084, 3-INLET, 600 SERIES	
	HEAT TREAT: NA		MATERIAL: Water			
FINISH: NA			PART NUMBER: 00017497		SCALE: 1:48	SIZE: A
TEXTURE: NA					SHEET: 2 OF 4	



**NON-DIVING
DIVING EQUIPMENT PROHIBITED**

ENGINEERING DRAWING NUMBER: 00017497	WEIGHT:	UNLESS OTHERWISE SPECIFIED DIMENSIONS ARE IN INCHES TOLERANCES DECIMALS: X ± .1 XX ± .01 XXX ± .001 XXXX ± .0005 ANGULAR: X ± 0.5 THIRD ANGLE PROJECTION 	DESIGNED BY:	CREATION DATE:	HYDRA POOLS
	lbs		BUMPHREY	8/14/2017	
	VOLUME:		DETAILED BY:	DETAILED DATE:	
	Inch ³		BUMPHREY	2/1/2018	
	COLOR:		LAST REVISED BY:	LAST REVISED DATE:	TITLE: LAYOUT, 12' X 20', KIDNEY, RIGHT, 6' DEEP, LIGHT, 1084, 3-INLET, 600 SERIES
	NA		bumphrey	2/1/2018	
HEAT TREAT:	MATERIAL:		PART NUMBER:	SCALE:	SIZE:
NA			00017497	1:48	A
FINISH:				SHEET:	
NA				3 OF 4	
TEXTURE:					
NA					



ENGINEERING DRAWING NUMBER: 00017497	WEIGHT: 61058.723 lbs	UNLESS OTHERWISE SPECIFIED DIMENSIONS ARE IN INCHES TOLERANCES DECIMALS: X ± .1 XX ± .01 XXX ± .001 XXXX ± .0005 ANGULAR: X ± 0.5 THIRD ANGLE PROJECTION 	DESIGNED BY: BUMPHREY	CREATION DATE: 8/14/2017	HYDRA POOLS		
	VOLUME: 1690100.119 Inch ³		DETAILED BY: BUMPHREY	DETAILED DATE: 2/1/2018			
	COLOR: NA		LAST REVISED BY: bumphrey	LAST REVISED DATE: 2/1/2018	TITLE: LAYOUT, 12' X 20', KIDNEY, RIGHT, 6' DEEP, LIGHT, 1084, 3-INLET, 600 SERIES		
	HEAT TREAT: NA		MATERIAL: Water				
	FINISH: NA						
	TEXTURE: NA						
			PART NUMBER:		00017497	SCALE: 1:60	SIZE: A
					SHEET: 4 OF 4		