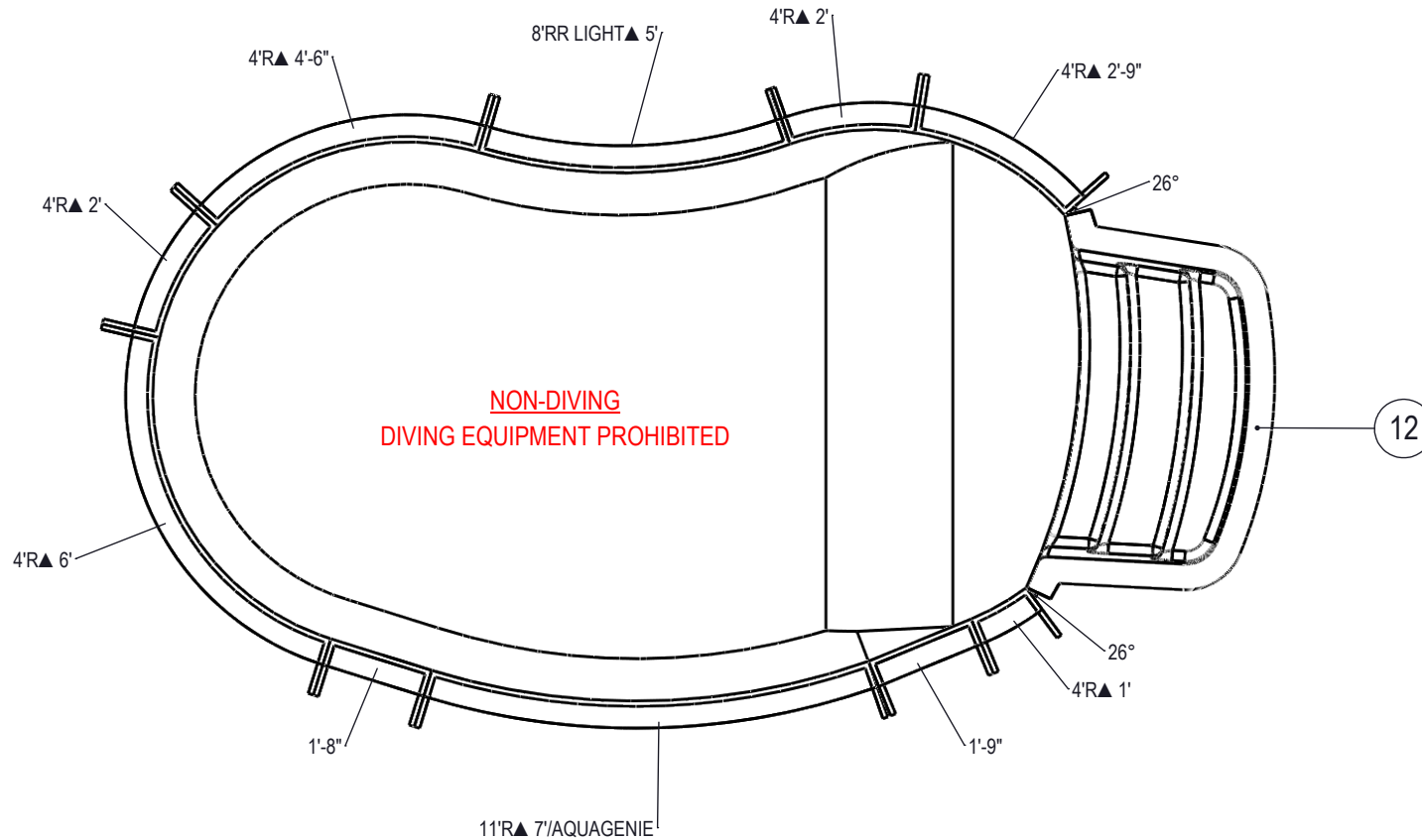


REVISION HISTORY				
REV.	DESCRIPTION	DATE	ECO	BY



NOTES:

1. THESE ARE FINISHED DIMENSIONS READY FOR THE LINER.
2. DIMENSIONS ARE FROM INSIDE POOL PANELS.
3. ROPE AND FLOAT ASSEMBLY SHOULD BE INSTALLED IN ACCORDANCE WITH CURRENT ANSI/ASPS/ICC REGULATIONS
4. HYDRA LINER TRACK FOR STEPS IS INSTALLED WITH THE BARB FACING THE RISER WALL ON THE STEP.

EXCAVATION NOTES:

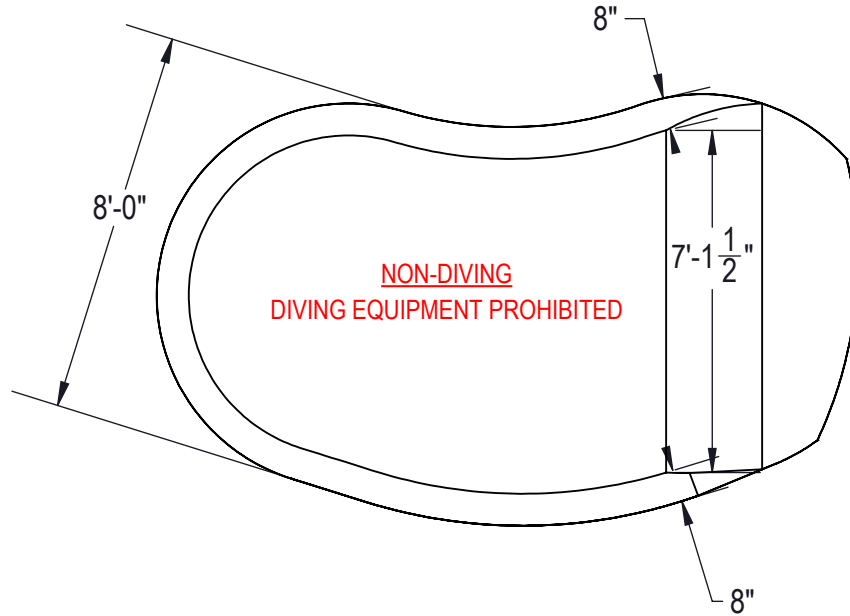
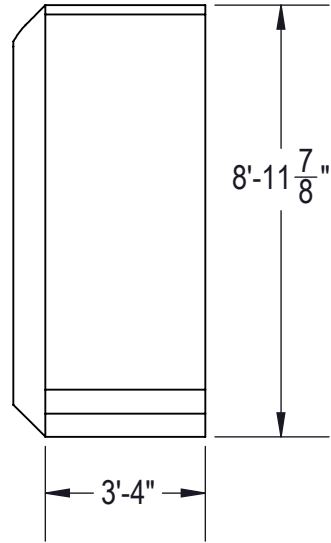
5. ROUGH EXCAVATION SHOULD BE 2" DEEPER IN EACH INSTANCE.
6. SOIL TO HAVE MINIMUM BEARING CAPACITY OF 1500 PSF.
7. LOCATE TOP OF POOL AT LEAST 6" ABOVE THE SURROUNDING LAND ELEVATION.
8. SEE "OVER DIG DETAIL" FOR EXCAVATION AROUND POOL.
9. FILL VOIDS UNDER BASE OF PANELS AND TAMP WELL.
10. BACK FILL WITH NON-EXPANSIVE MATERIAL.
11. FOLLOW ALL CURRENT ANSI / APSP / ICC GUIDELINES FOR RESIDENTIAL POOLS

IMPORTANT NOTES:

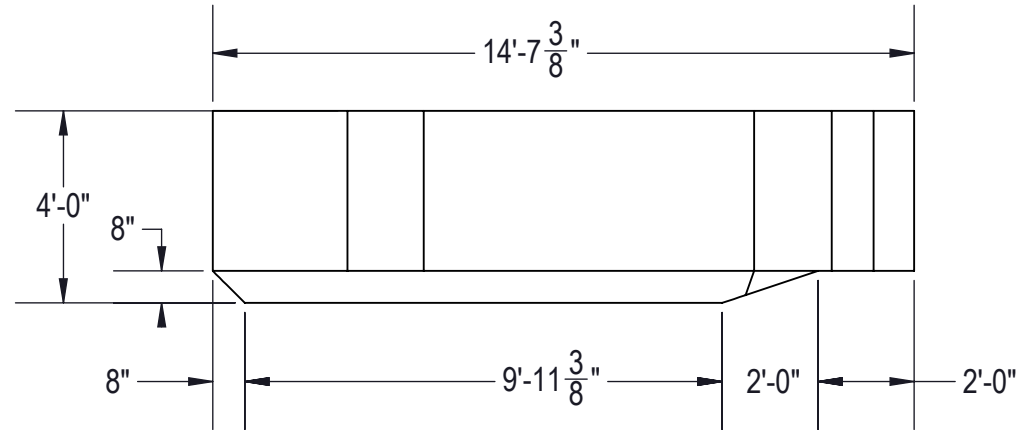
THIS DOCUMENT IS FOR ILLUSTRATIVE PURPOSES ONLY. THE DEALER OR CONTRACTOR WHO SELLS OR INSTALLS YOUR POOL IS AN INDEPENDENT CONTRACTOR AND IS NOT AN AGENT OF THE MANUFACTURER. THE CONSTRUCTION METHODS ILLUSTRATED HERE ARE SUGGESTIONS AND APPLY ONLY TO NORMAL GROUND CONDITIONS. THERE MAY BE ADDITIONAL PRECAUTIONS AND/OR METHODS OF CONSTRUCTION. PROPER INSTALLATION IS THE RESPONSIBILITY OF THE DEALER/BUILDER/CONTRACTOR.

ITEM	FILE NAME	DESCRIPTION	CUSTOMER DRAWING #	VENDOR PART #	QTY
1	BOLT, PACK	BOLT, FLANGE, 3/8-16 X 1", PACK (50)	HPS1916	HPS1916	3
2	SBRACE	BRACE, FOLD OVER WITH TURNBUCKLE, STEEL, HPSFOB	HPSFOB	HPSFOB	11
3	PANEL, STRAIGHT	PANEL, 1'-8" LONG, 600 SERIES	HPSPD18	00004600	1
4	PANEL, STRAIGHT	PANEL, 1'-9" LONG, 600 SERIES	HPSD19P	00001292	1
5	PANEL, RADIUS	PANEL, 11' RADIUS, 7' LONG, AQUAGENIE, 600 SERIES	HPSCR8	00008296	1
6	PANEL, RADIUS	PANEL, 4' RADIUS, 1' LONG, 600 SERIES	HPSCR2	00007190	1
7	PANEL, RADIUS	PANEL, 4' RADIUS, 2' LONG, 600 SERIES	HPSCR3	00008236	2
8	PANEL, RADIUS	PANEL, 4' RADIUS, 2'-9" LONG, 600 SERIES	HPSCR3	00003989	1
9	PANEL, RADIUS	PANEL, 4' RADIUS, 4'-6" LONG, 600 SERIES	HPSCR5	00007570	1
10	PANEL, RADIUS	PANEL, 4' RADIUS, 6' LONG, 600 SERIES	HPSCR8	00005860	1
11	PANEL, RR	PANEL, 8' REVERSE RADIUS, 5' LONG, LIGHT, 600 SERIES	HPSCR6	00003177	1
12	HS103N	STEP, 6' RADIUS, 3 TREAD	HS103N	HS103N	1
13	PANEL, WEDGE	WEDGE, 42" X 2 1/2" X 2 1/2" X 26°	HPSPD26W	00000419	2

ENGINEERING DRAWING NUMBER: 00017194	WEIGHT: 15175310 lbs	UNLESS OTHERWISE SPECIFIED DIMENSIONS ARE IN INCHES TOLERANCES DECIMALS: X ± .1 XX ± .01 XXX ± .001 XXXX ± .0005 ANGULAR: X ± 0.5 THIRD ANGLE PROJECTION 	DESIGNED BY: BUMPHREY	CREATION DATE: 10/10/2016	HYDRA POOLS
	VOLUME: Inch³		DETAILED BY: BUMPHREY	DETAILED DATE: 1/10/2018	
	COLOR:		LAST REVISED BY: bumphrey	LAST REVISED DATE: 1/11/2018	
	HEAT TREAT:		MATERIAL:		
FINISH:				TITLE: LAYOUT, 8' X 15', KIDNEY, RIGHT, 4' DEEP, FLAT BOTTOM, LIGHT, AQUA GENIE, 600 SERIES	
TEXTURE:				PART NUMBER: 00017194	
					SCALE: 1:64 SHEET: 1 OF 4
					A



Area: 108.88ft ^2
Perimeter: 39.66ft
Volume = 3113 US gallons



NOTES:


1. THESE ARE FINISHED DIMENSIONS READY FOR THE LINER.
2. DIMENSIONS ARE FROM INSIDE POOL PANELS.
3. ROPE AND FLOAT ASSEMBLY SHOULD BE INSTALLED IN ACCORDANCE WITH CURRENT ANSI/ASPS/ICC REGULATIONS
4. HYDRA LINER TRACK FOR STEPS IS INSTALLED WITH THE BARB FACING THE RISER WALL ON THE STEP.

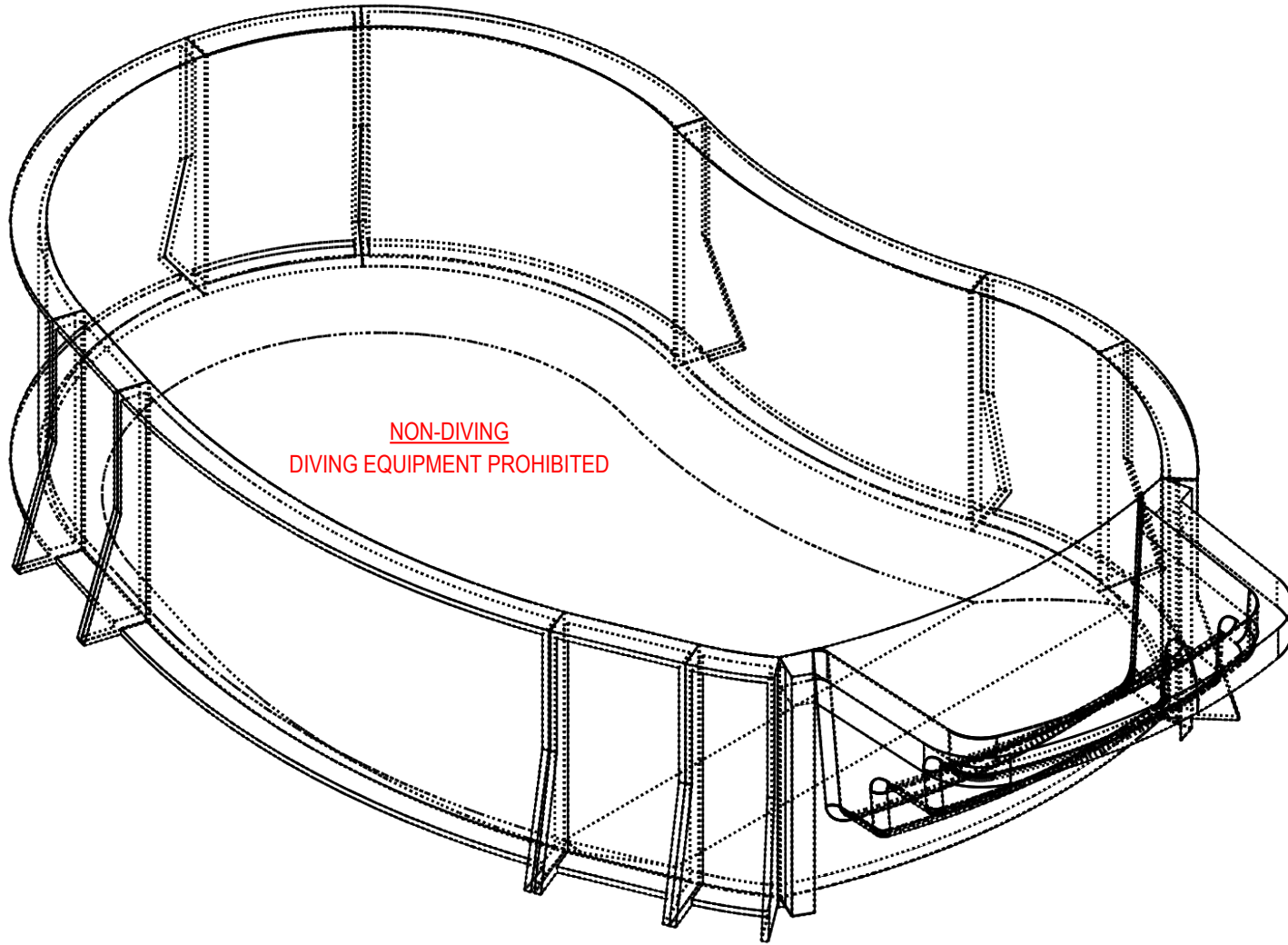
EXCAVATION NOTES:

5. ROUGH EXCAVATION SHOULD BE 2" DEEPER IN EACH INSTANCE.
6. SOIL TO HAVE MINIMUM BEARING CAPACITY OF 1500 PSF.
7. LOCATE TOP OF POOL AT LEAST 6" ABOVE THE SURROUNDING LAND ELEVATION.
8. SEE "OVER DIG DETAIL" FOR EXCAVATION AROUND POOL.
9. FILL VOIDS UNDER BASE OF PANELS AND TAMP WELL.
10. BACK FILL WITH NON-EXPANSIVE MATERIAL.
11. FOLLOW ALL CURRENT ANSI / APSP / ICC GUIDELINES FOR RESIDENTIAL POOLS


IMPORTANT NOTES:

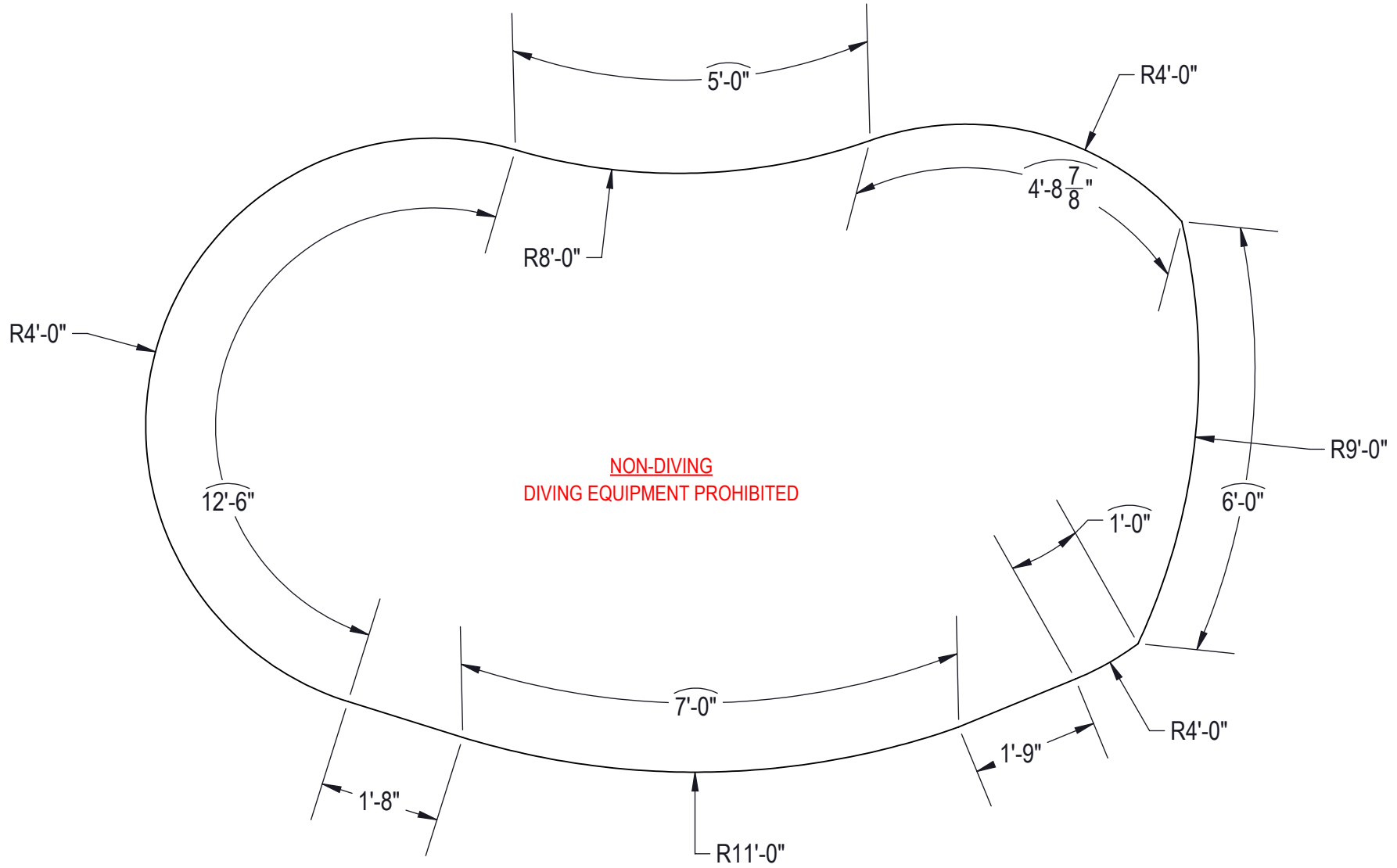
THIS DOCUMENT IS FOR ILLUSTRATIVE PURPOSES ONLY. THE DEALER OR CONTRACTOR WHO SELLS OR INSTALLS YOUR POOL IS AN INDEPENDENT CONTRACTOR AND IS NOT AN AGENT OF THE MANUFACTURER. THE CONSTRUCTION METHODS ILLUSTRATED HERE ARE SUGGESTIONS AND APPLY ONLY TO NORMAL GROUND CONDITIONS. THERE MAY BE ADDITIONAL PRECAUTIONS AND/OR METHODS OF CONSTRUCTION. PROPER INSTALLATION IS THE RESPONSIBILITY OF THE DEALER/BUILDER/CONTRACTOR.

ENGINEERING DRAWING NUMBER: 00017194	WEIGHT: 11783812 lbs	UNLESS OTHERWISE SPECIFIED DIMENSIONS ARE IN INCHES TOLERANCES DECIMALS: X ± .1 XX ± .01 XXX ± .001 XXXX ± .0005 ANGULAR: X ± 0.5 THIRD ANGLE PROJECTION 	DESIGNED BY: BUMPHREY	CREATION DATE: 10/10/2016	HYDRA POOLS	
	VOLUME: 11783811851 Inch ³		DETAILED BY: BUMPHREY	DETAILED DATE: 1/10/2018		
	COLOR: NA		LAST REVISED BY: bumpfrey	LAST REVISED DATE: 1/11/2018	TITLE: LAYOUT, 8' X 15', KIDNEY, RIGHT, 4' DEEP, FLAT BOTTOM, LIGHT, AQUA GENIE, 600 SERIES	
	HEAT TREAT: NA		MATERIAL: Water			
	FINISH: NA		PART NUMBER: <div style="font-size: 2em; font-weight: bold;">00017194</div>			
TEXTURE: NA	SHEET: 2 OF 4					



NON-DIVING
DIVING EQUIPMENT PROHIBITED

ENGINEERING DRAWING NUMBER: 00017194	WEIGHT: 15175310 lbs	UNLESS OTHERWISE SPECIFIED DIMENSIONS ARE IN INCHES TOLERANCES DECIMALS: X ± .1 XX ± .01 XXX ± .001 XXXX ± .0005 ANGULAR: X ± 0.5 THIRD ANGLE PROJECTION 	DESIGNED BY: BUMPHREY	CREATION DATE: 10/10/2016	HYDRA POOLS TITLE: LAYOUT, 8' X 15', KIDNEY, RIGHT, 4' DEEP, FLAT BOTTOM, LIGHT, AQUA GENIE, 600 SERIES
	VOLUME: Inch ³		DETAILED BY: BUMPHREY	DETAILED DATE: 1/10/2018	
	COLOR:		LAST REVISED BY: bumphrey	LAST REVISED DATE: 1/11/2018	
	HEAT TREAT:		MATERIAL:	PART NUMBER: 00017194	
	FINISH:			SCALE: 1:64	
	TEXTURE:			SHEET: 3 OF 4	
			SIZE: A		



**NON-DIVING
 DIVING EQUIPMENT PROHIBITED**

ENGINEERING DRAWING NUMBER: 00017194	WEIGHT: 11783812 lbs	UNLESS OTHERWISE SPECIFIED DIMENSIONS ARE IN INCHES TOLERANCES DECIMALS: X ± .1 XX ± .01 XXX ± .001 XXXX ± .0005 ANGULAR: X ± 0.5 THIRD ANGLE PROJECTION 	DESIGNED BY: BUMPHREY	CREATION DATE: 10/10/2016	HYDRA POOLS	
	VOLUME: 11783811851 Inch ³		DETAILED BY: BUMPHREY	DETAILED DATE: 1/10/2018		
	COLOR: NA		LAST REVISED BY: bumphrey	LAST REVISED DATE: 1/11/2018		
	HEAT TREAT: NA		MATERIAL: Water		TITLE: LAYOUT, 8' X 15', KIDNEY, RIGHT, 4' DEEP, FLAT BOTTOM, LIGHT, AQUA GENIE, 600 SERIES	
	FINISH: NA				PART NUMBER: 00017194	
	TEXTURE: NA				SCALE: 1:64	SIZE: A