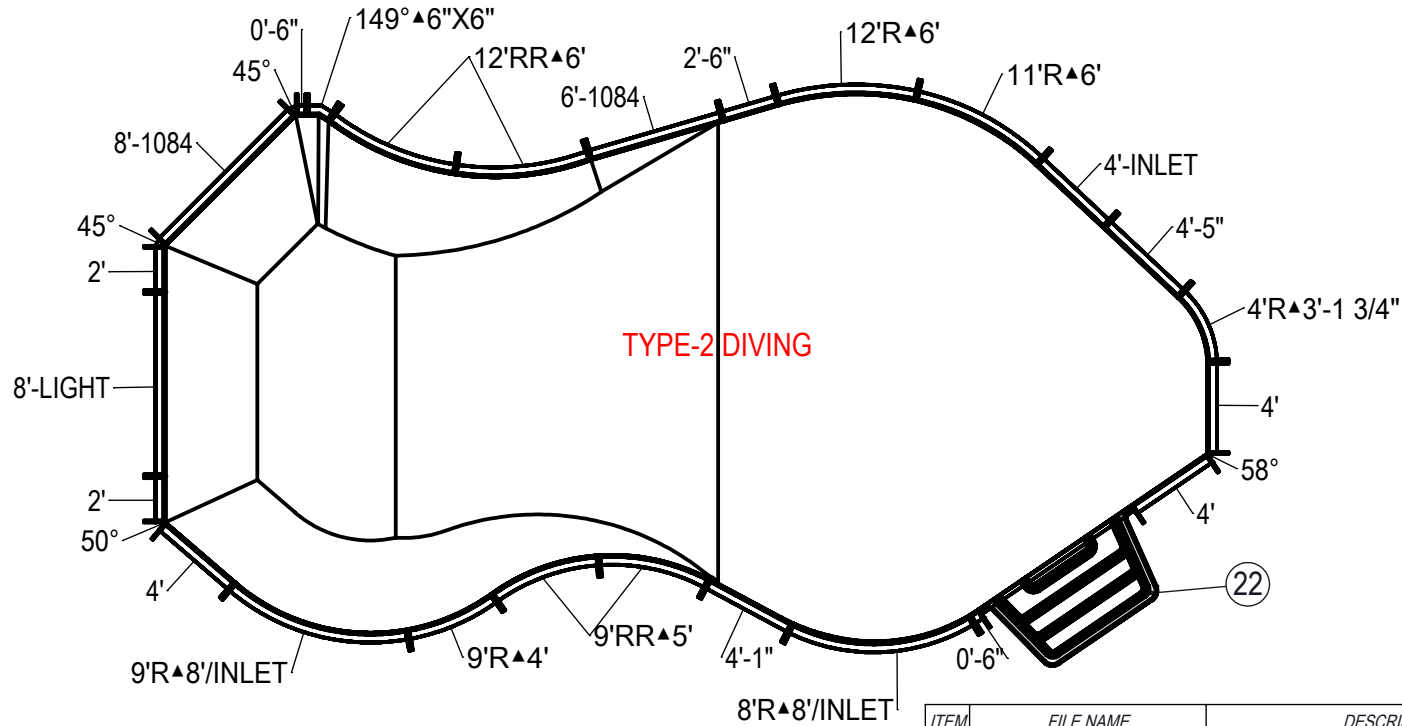


REVISION HISTORY			
REV.	DESCRIPTION	DATE	BY
A	RELEASED FOR QUOTE	1/18/2018	RSANVICENTE



TYPE-2 DIVING

ITEM	FILE NAME	DESCRIPTION	CUSTOMER DRAWING #	VENDOR PART #	QTY.
1	BOLT, PACK	BOLT, FLANGE, 3/8-16 X 1", PACK (50)	HPS1916	HPS1916	7
2	SBRACE	BRACE, FOLD OVER WITH TURNBUCKLE, STEEL, HPSFOB	HPSFOB	HPSFOB	30
3	PANEL, ANGLE	PANEL, ANGLE, 6" X 6" X 149", 600 SERIES	HPSD6X6149	00001388	1
4	PANEL, STRAIGHT	PANEL, 0'-6" LONG, 600 SERIES	HPSD6P	00001405	2
5	PANEL, RADIUS	PANEL, 11' RADIUS, 6' LONG, 600 SERIES	HPSD11R6	00001161	1
6	PANEL, RADIUS	PANEL, 12' RADIUS, 6' LONG, 600 SERIES	HPSD12R6	00000438	1
7	PANEL, RR	PANEL, 12' REVERSE RADIUS, 6' LONG, 600 SERIES	HPS12RR6	00000989	2
8	PANEL, STRAIGHT	PANEL, 2' LONG, 600 SERIES	HPSD102P	00000621	2
9	PANEL, STRAIGHT	PANEL, 2'-6" LONG, 600 SERIES	HPSD26P	00002021	1
10	PANEL, STRAIGHT	PANEL, 4' LONG, 600 SERIES	HPSD104P	00000274	3
11	PANEL, STRAIGHT	PANEL, 4' LONG, INLET, 600 SERIES	HPSE104I	00000281	1
12	PANEL, RADIUS	PANEL, 4' RADIUS, 3'-1 3/4" LONG, 600 SERIES	HPSCR4	00003051	1
13	PANEL, STRAIGHT	PANEL, 4'-1" LONG, 600 SERIES	HPSCS5	00002556	1
14	PANEL, STRAIGHT	PANEL, 4'-5" LONG, 600 SERIES	HPSCS5	00002169	1
15	PANEL, STRAIGHT	PANEL, 6' LONG, 1084, 600 SERIES	HPS10884	00000283	1
16	PANEL, STRAIGHT	PANEL, 8' LONG, 1084, 600 SERIES	HPSD10884	00002006	1
17	PANEL, STRAIGHT	PANEL, 8' LONG, LIGHT, 600 SERIES	HPSD108L	00000701	1
18	PANEL, RADIUS	PANEL, 8' RADIUS, 8' LONG, INLET, 600 SERIES	HPS8R8I	00000758	1
19	PANEL, RADIUS	PANEL, 9' RADIUS, 4' LONG, 600 SERIES	HPSD9R4	00000353	1
20	PANEL, RADIUS	PANEL, 9' RADIUS, 8', INLET OR LED, 600 SERIES	HPS9R8I	00000275	1
21	PANEL, RR	PANEL, 9' REVERSE RADIUS, 5' LONG, 600 SERIES	HPSD9RR5	00000168	2
22	HS110N	STEP, 8', TWIN SEAT, 4 TREAD	HS110N	HS110N	1
23	PANEL, WEDGE	WEDGE, 42" X 2 1/2" X 2 1/2" X 45°	HPSD45W	00000418	2
24	PANEL, WEDGE	WEDGE, 42" X 2 1/2" X 2 1/2" X 50°	HPSD50W	00004889	1
25	PANEL, WEDGE	WEDGE, 42" X 2 1/2" X 2 1/2" X 58°	HPSD58W	00004888	1

NOTES:

- THESE ARE FINISHED DIMENSIONS READY FOR THE LINER.
- DIMENSIONS ARE FROM INSIDE POOL PANELS.
- ROPE AND FLOAT ASSEMBLY SHOULD BE INSTALLED IN ACCORDANCE WITH CURRENT ANSI/ASPS/ICC REGULATIONS
- HYDRA LINER TRACK FOR STEPS IS INSTALLED WITH THE BARB FACING THE RISER WALL ON THE STEP.

EXCAVATION NOTES:

- ROUGH EXCAVATION SHOULD BE 2" DEEPER IN EACH INSTANCE.
- SOIL TO HAVE MINIMUM BEARING CAPACITY OF 1500 PSF.
- LOCATE TOP OF POOL AT LEAST 6" ABOVE THE SURROUNDING LAND ELEVATION.
- SEE "OVER DIG DETAIL" FOR EXCAVATION AROUND POOL.
- FILL VOIDS UNDER BASE OF PANELS AND TAMP WELL.
- BACK FILL WITH NON-EXPANSIVE MATERIAL.
- FOLLOW ALL CURRENT ANSI / AISP / ICC GUIDELINES FOR RESIDENTIAL POOLS

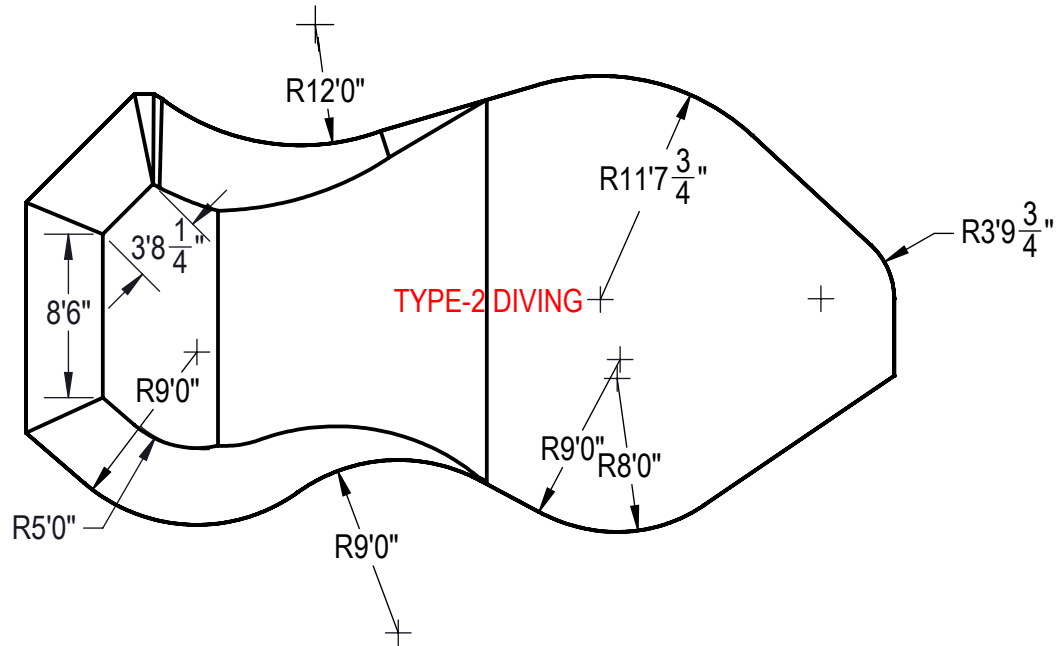
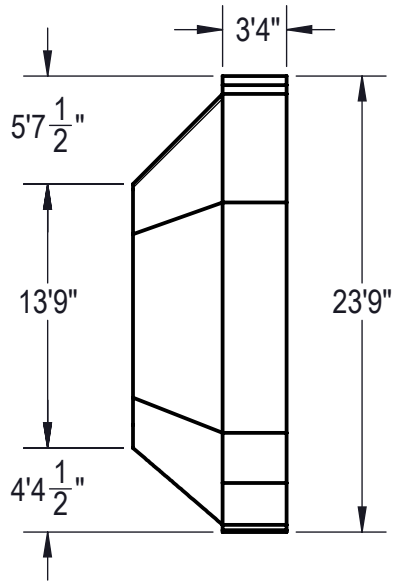
IMPORTANT NOTES:

THIS DOCUMENT IS FOR ILLUSTRATIVE PURPOSES ONLY. THE DEALER OR CONTRACTOR WHO SELLS OR INSTALLS YOUR POOL IS AN INDEPENDENT CONTRACTOR AND IS NOT AN AGENT OF THE MANUFACTURER. THE CONSTRUCTION METHODS ILLUSTRATED HERE ARE SUGGESTIONS AND APPLY ONLY TO NORMAL GROUND CONDITIONS. THERE MAY BE ADDITIONAL PRECAUTIONS AND/OR METHODS OF CONSTRUCTION. PROPER INSTALLATION IS THE RESPONSIBILITY OF THE DEALER/BUILDER/CONTRACTOR.

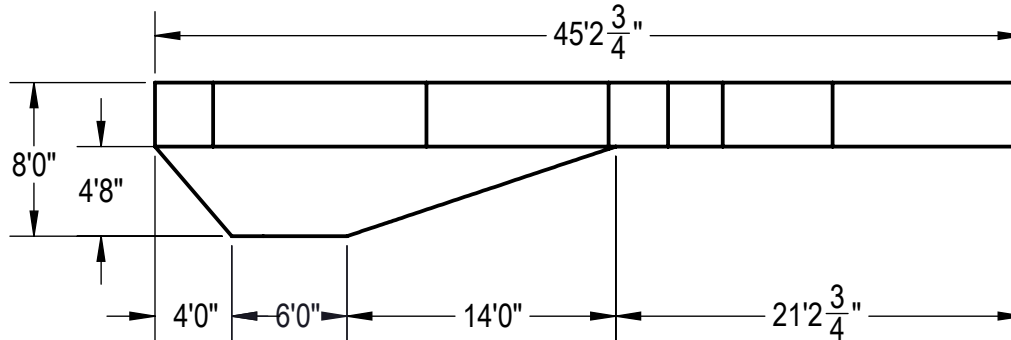
ENGINEERING DRAWING NUMBER: 00017262	WEIGHT:	UNLESS OTHERWISE SPECIFIED DIMENSIONS ARE IN INCHES TOLERANCES DECIMALS: X ± .1 XX ± .01 XXX ± .001 XXXX ± .0005 ANGULAR: X ± 0.5 THIRD ANGLE PROJECTION
	VOLUME:	
	COLOR:	
	HEAT TREAT:	
	FINISH:	
	TEXTURE:	

DESIGNED BY: RCOLBOCH	CREATION DATE: 6/19/2013
DETAILED BY: RSANVICENTE	DETAILED DATE: 1/18/2018
LAST REVISED BY: hyeng	LAST REVISED DATE: 1/18/2018
MATERIAL:	

HYDRA POOLS	
TITLE: LAYOUT, 23'-9" X 45'-3" OASIS, 8' DEEP, HS110N, LIGHT, 3'-INLET, 2- 1084, 600 SERIES	
PART NUMBER: 00017262	SCALE: 1:192 SHEET: 1 OF 4 SIZE: A



Area: 836.12ft ^2
Perimeter: 120.13ft
Volume = 29099 US gallons



NOTES:

1. THESE ARE FINISHED DIMENSIONS READY FOR THE LINER.
2. DIMENSIONS ARE FROM INSIDE POOL PANELS.
3. ROPE AND FLOAT ASSEMBLY SHOULD BE INSTALLED IN ACCORDANCE WITH CURRENT ANSI/ASPS/ICC REGULATIONS
4. HYDRA LINER TRACK FOR STEPS IS INSTALLED WITH THE BARB FACING THE RISER WALL ON THE STEP.

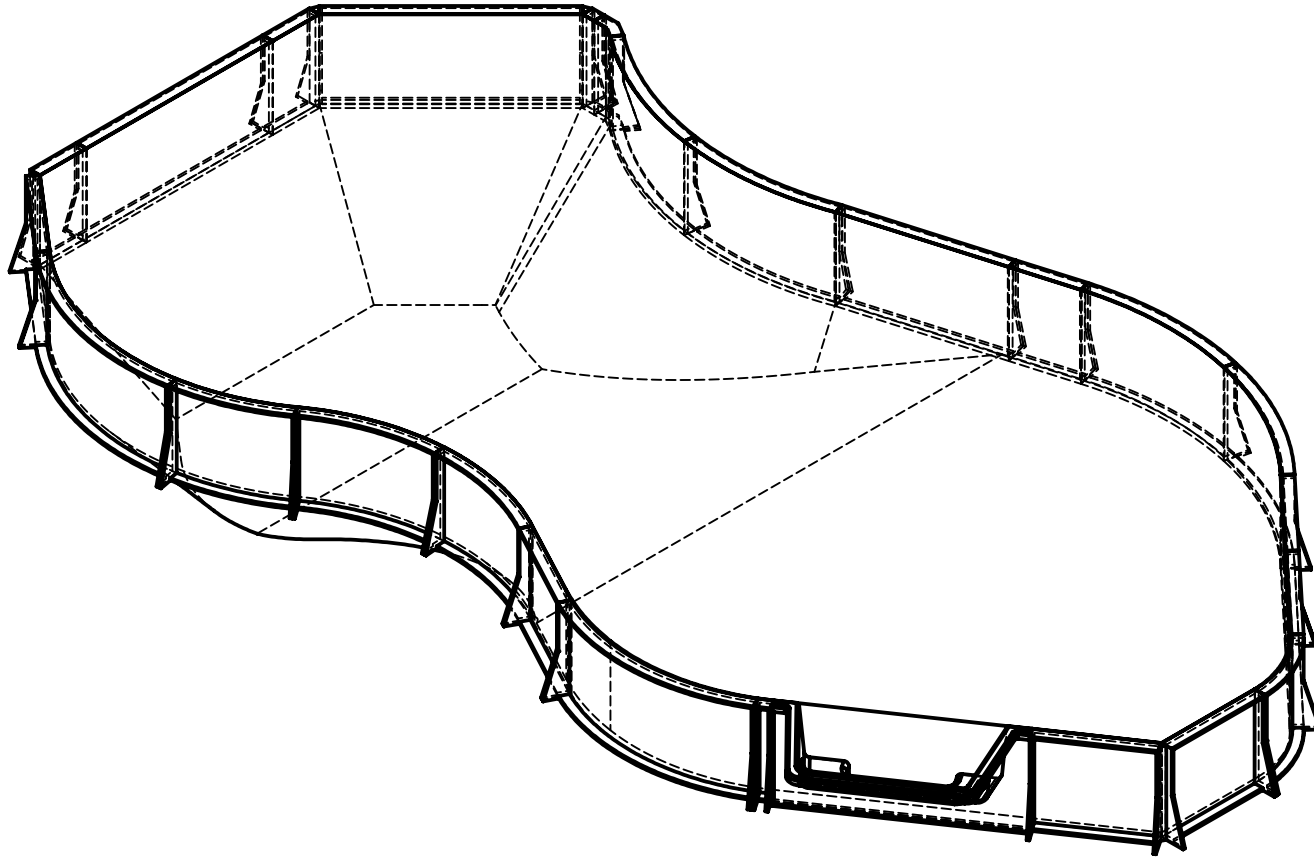
EXCAVATION NOTES:


5. ROUGH EXCAVATION SHOULD BE 2" DEEPER IN EACH INSTANCE.
6. SOIL TO HAVE MINIMUM BEARING CAPACITY OF 1500 PSF.
7. LOCATE TOP OF POOL AT LEAST 6" ABOVE THE SURROUNDING LAND ELEVATION.
8. SEE "OVER DIG DETAIL" FOR EXCAVATION AROUND POOL.
9. FILL VOIDS UNDER BASE OF PANELS AND TAMP WELL.
10. BACK FILL WITH NON-EXPANSIVE MATERIAL.
11. FOLLOW ALL CURRENT ANSI / ASP / ICC GUIDELINES FOR RESIDENTIAL POOLS

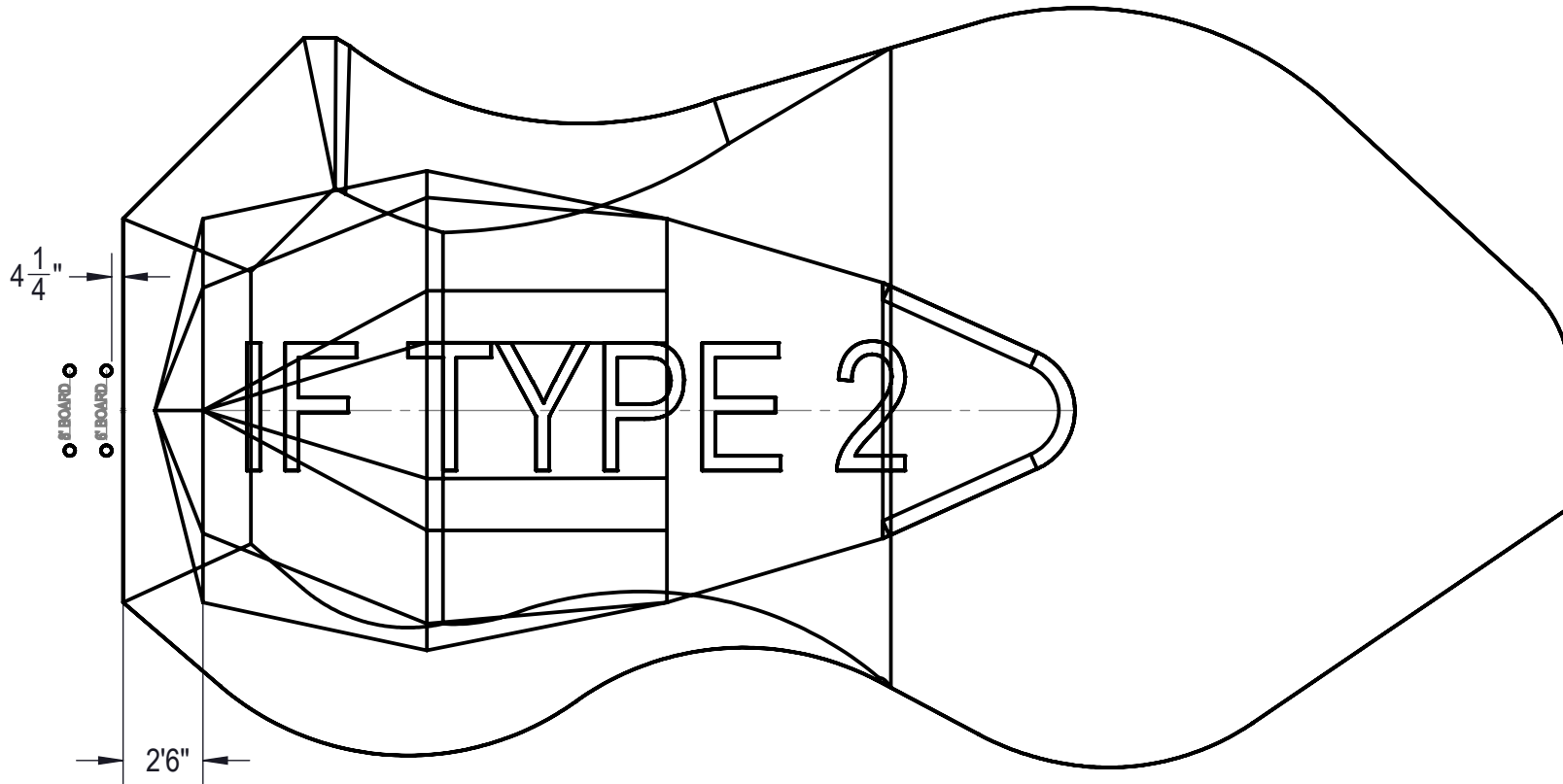
IMPORTANT NOTES:

THIS DOCUMENT IS FOR ILLUSTRATIVE PURPOSES ONLY. THE DEALER OR CONTRACTOR WHO SELLS OR INSTALLS YOUR POOL IS AN INDEPENDENT CONTRACTOR AND IS NOT AN AGENT OF THE MANUFACTURER. THE CONSTRUCTION METHODS ILLUSTRATED HERE ARE SUGGESTIONS AND APPLY ONLY TO NORMAL GROUND CONDITIONS. THERE MAY BE ADDITIONAL PRECAUTIONS AND/OR METHODS OF CONSTRUCTION. PROPER INSTALLATION IS THE RESPONSIBILITY OF THE DEALER/BUILDER/CONTRACTOR.

ENGINEERING DRAWING NUMBER: 00017262	WEIGHT: lbs	UNLESS OTHERWISE SPECIFIED DIMENSIONS ARE IN INCHES TOLERANCES DECIMALS: X ± .1 XX ± .01 XXX ± .001 XXXX ± .0005 ANGULAR: X ± 0.5 THIRD ANGLE PROJECTION	DESIGNED BY: RCOLBOCH	CREATION DATE: 6/19/2013	HYDRA POOLS	
	VOLUME: Inch ³		DETAILED BY: RSANVICENTE	DETAILED DATE: 1/18/2018		
	COLOR:		LAST REVISED BY: hyeng	LAST REVISED DATE: 1/18/2018	TITLE: LAYOUT, 23'-9" X 45'-3" OASIS, 8' DEEP, HS110N, LIGHT, 3-INLET, 2- 1084, 600 SERIES	
	HEAT TREAT: NA		MATERIAL:			
FINISH: NA					SHEET: 2 OF 4	
TEXTURE: NA						



ENGINEERING DRAWING NUMBER: 00017262	WEIGHT:	UNLESS OTHERWISE SPECIFIED DIMENSIONS ARE IN INCHES TOLERANCES DECIMALS: X ± .1 XX ± .01 XXX ± .001 XXXX ± .0005 ANGULAR: X ± 0.5 THIRD ANGLE PROJECTION 	DESIGNED BY:	CREATION DATE:	HYDRA POOLS TITLE: LAYOUT, 23'-9" X 45'-3" OASIS, 8' DEEP, HS110N, LIGHT, 3- INLET, 2- 1084, 600 SERIES
	lbs		RCOLBOCH	6/19/2013	
	VOLUME:		DETAILED BY:	DETAILED DATE:	
	Inch ³		RSANVICENTE	1/18/2018	
	COLOR:		LAST REVISED BY:	LAST REVISED DATE:	
	NA		hyeng	1/18/2018	
HEAT TREAT:	MATERIAL:	PART NUMBER:	SCALE:	SIZE:	
NA		00017262	1:192	A	
FINISH:			SHEET:		
NA			3 OF 4		
TEXTURE:					
NA					



ENGINEERING DRAWING NUMBER: 00017262	WEIGHT:	UNLESS OTHERWISE SPECIFIED DIMENSIONS ARE IN INCHES TOLERANCES DECIMALS: X ± .1 XX ± .01 XXX ± .001 XXXX ± .0005 ANGULAR: X ± 0.5 THIRD ANGLE PROJECTION 	DESIGNED BY:	CREATION DATE:	HYDRA POOLS TITLE: LAYOUT, 23'-9" X 45'-3" OASIS, 8' DEEP, HS110N, LIGHT, 3-INLET, 2- 1084, 600 SERIES PART NUMBER: <div style="font-size: 2em; font-weight: bold; text-align: center;">00017262</div>
	lbs		RCOLBOCH	6/19/2013	
	VOLUME:		DETAILED BY:	DETAILED DATE:	
	Inch ³		RSANVICENTE	1/18/2018	
	COLOR:		LAST REVISED BY:	LAST REVISED DATE:	
	NA		hyeng	1/18/2018	
HEAT TREAT:	MATERIAL:				
NA			SCALE:	SIZE:	
FINISH:			1:192	A	
NA			SHEET:		
TEXTURE:			4 OF 4		
NA					