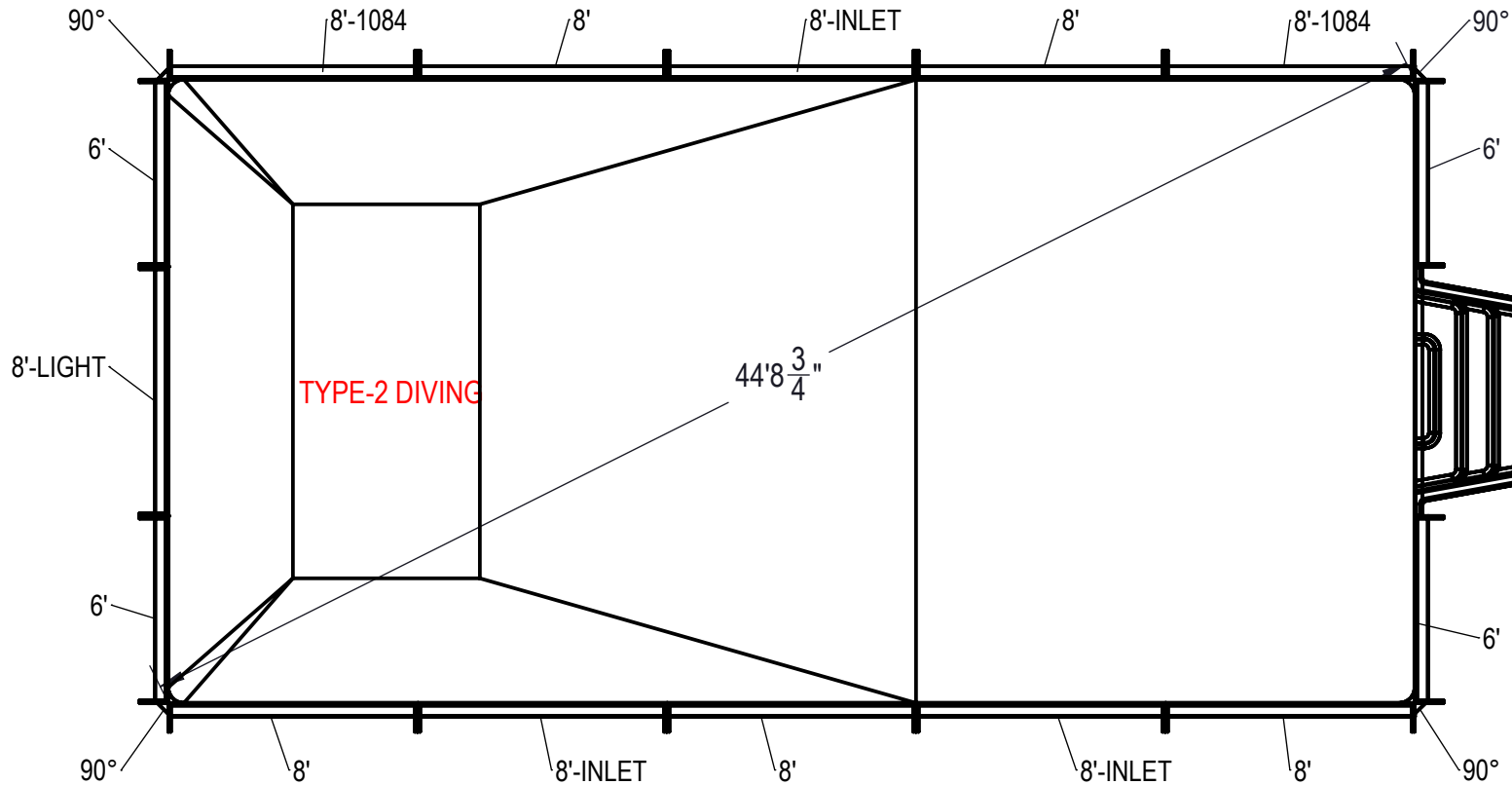


REVISION HISTORY				
REV.	DESCRIPTION	DATE	ECO	BY



**NOTES:**

- THESE ARE FINISHED DIMENSIONS READY FOR THE LINER.
- DIMENSIONS ARE FROM INSIDE POOL PANELS.
- ROPE AND FLOAT ASSEMBLY SHOULD BE INSTALLED IN ACCORDANCE WITH CURRENT ANSI/ASPS/ICC REGULATIONS
- HYDRA LINER TRACK FOR STEPS IS INSTALLED WITH THE BARB FACING THE RISER WALL ON THE STEP.

**EXCAVATION NOTES:**

- ROUGH EXCAVATION SHOULD BE 2" DEEPER IN EACH INSTANCE.
- SOIL TO HAVE MINIMUM BEARING CAPACITY OF 1500 PSF.
- LOCATE TOP OF POOL AT LEAST 6" ABOVE THE SURROUNDING LAND ELEVATION.
- SEE "OVER DIG DETAIL" FOR EXCAVATION AROUND POOL.
- FILL VOIDS UNDER BASE OF PANELS AND TAMP WELL.
- BACK FILL WITH NON-EXPANSIVE MATERIAL.
- FOLLOW ALL CURRENT ANSI / ASPSP / ICC GUIDELINES FOR RESIDENTIAL POOLS

**IMPORTANT NOTES:**

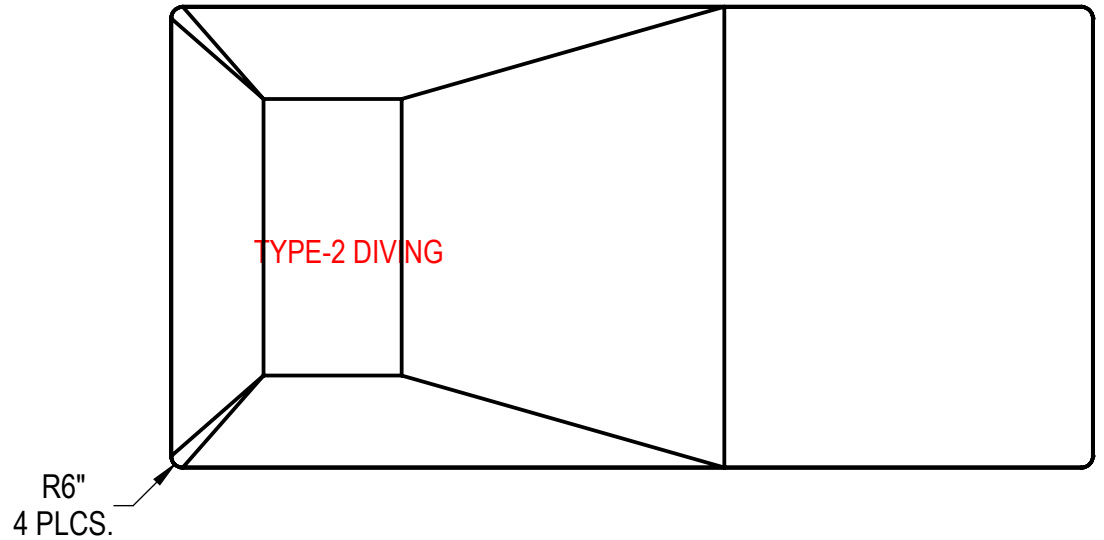
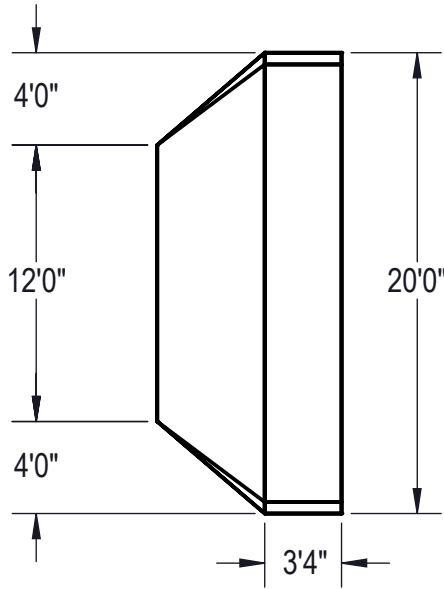
THIS DOCUMENT IS FOR ILLUSTRATIVE PURPOSES ONLY. THE DEALER OR CONTRACTOR WHO SELLS OR INSTALLS YOUR POOL IS AN INDEPENDENT CONTRACTOR AND IS NOT AN AGENT OF THE MANUFACTURER. THE CONSTRUCTION METHODS ILLUSTRATED HERE ARE SUGGESTIONS AND APPLY ONLY TO NORMAL GROUND CONDITIONS. THERE MAY BE ADDITIONAL PRECAUTIONS AND/OR METHODS OF CONSTRUCTION. PROPER INSTALLATION IS THE RESPONSIBILITY OF THE DEALER/BUILDER/CONTRACTOR.

ITEM	FILE NAME	DESCRIPTION	CUSTOMER DRAWING #	VENDOR PART #	QTY
1	BOLT, PACK	BOLT, FLANGE, 3/8-16 X 1", PACK (50)	HPS1916	HPS1916	8
2	SBRACE	BRACE, FOLD OVER WITH TURNBUCKLE, STEEL, HPSFOB	HPSFOB	HPSFOB	20
3	PANEL, STRAIGHT	PANEL, 6' LONG, 700 SERIES	HPSE106P	00002731	4
4	PANEL, STRAIGHT	PANEL, 8' LONG, 1084, 700 SERIES	HPSE10884	00004966	2
5	PANEL, STRAIGHT	PANEL, 8' LONG, 700 SERIES	HPSE1088P	00004961	5
6	PANEL, STRAIGHT	PANEL, 8' LONG, INLET, 700 SERIES	HPSE108I	00004969	3
7	PANEL, STRAIGHT	PANEL, 8' LONG, LIGHT, 700 SERIES	HPSE108L	00004962	1
8	HS110N	STEP, 8", TWIN SEAT, 4 TREAD	HS110N	HS110N	1
9	PANEL, WEDGE	WEDGE, 2 1/2" X 2 1/2" X 90°	HPSD6CA	00003541	4

ENGINEERING DRAWING NUMBER: <b>00016977</b>	WEIGHT: lbs	<b>UNLESS OTHERWISE SPECIFIED</b> DIMENSIONS ARE IN INCHES TOLERANCES DECIMALS: X ± .1 XX ± .01 XXX ± .001 XXXX ± .0005  ANGULAR: X ± 0.5 THIRD ANGLE PROJECTION
	VOLUME: Inch <sup>3</sup>	
	COLOR:	
	HEAT TREAT:	
	FINISH:	
	TEXTURE:	

DESIGNED BY: <b>BUMPHREY</b>	CREATION DATE: 2/10/2011
DETAILED BY: <b>BUMPHREY</b>	DETAILED DATE: 12/18/2017
LAST REVISED BY: <b>bumphrey</b>	LAST REVISED DATE: 12/18/2017
MATERIAL:	

<b>HYDRA POOLS</b>	
TITLE: LAYOUT, 20' X 40', RECTANGLE, 6" RADIUS, 8" DEEP, HS110N, LIGHT, 3-INLETS, 2-1084, 700 SERIES	
PART NUMBER: <b>00016977</b>	SCALE: 1:72 SHEET: 1 OF 4 SIZE: <b>A</b>

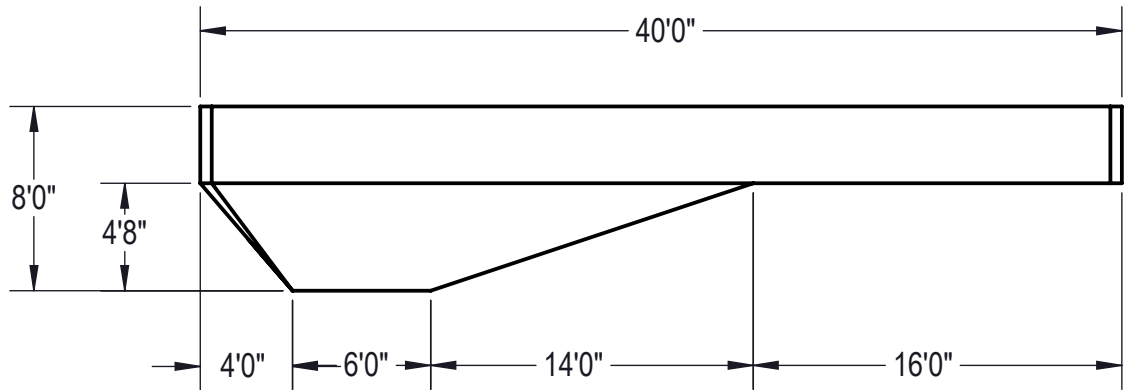


**Area: 799.79ft ^2**  
**Perimeter: 119.14ft**  
**Volume = 28739 US gallons**

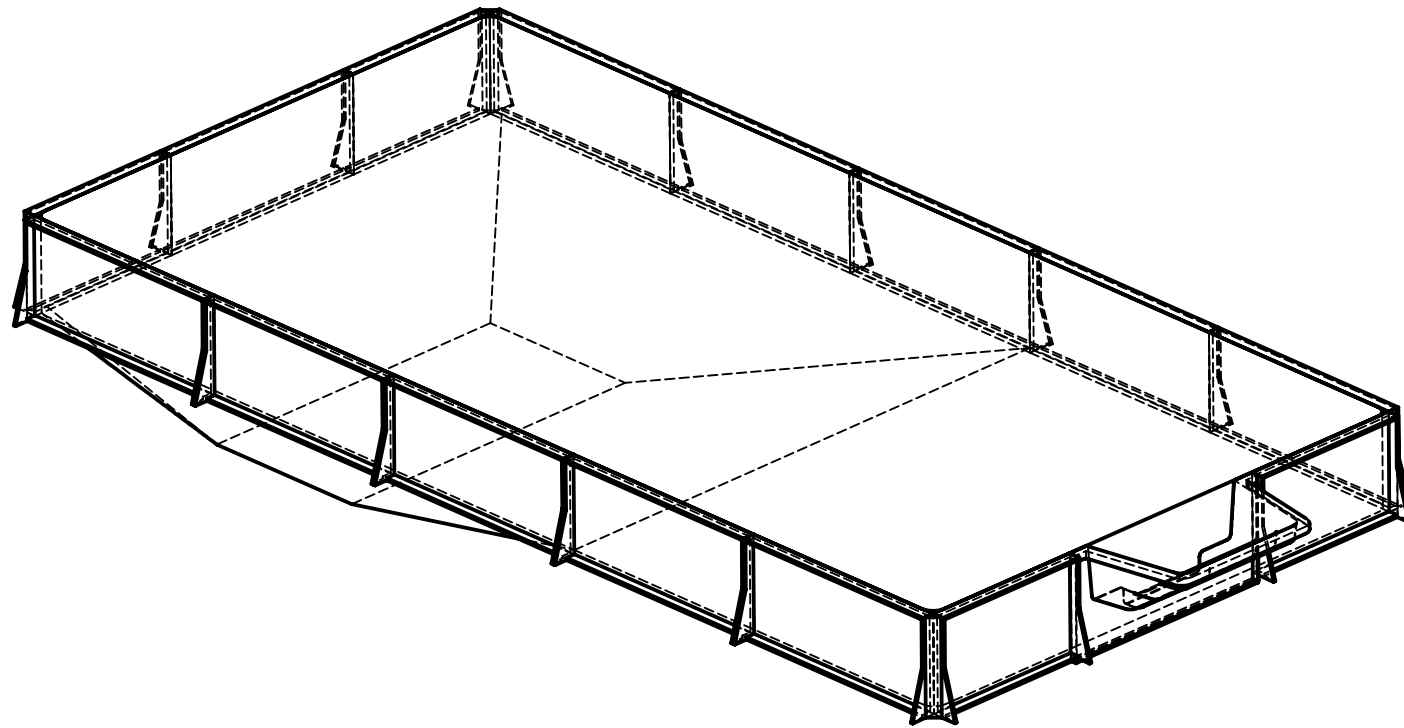
- NOTES:**
1. THESE ARE FINISHED DIMENSIONS READY FOR THE LINER.
  2. DIMENSIONS ARE FROM INSIDE POOL PANELS.
  3. ROPE AND FLOAT ASSEMBLY SHOULD BE INSTALLED IN ACCORDANCE WITH CURRENT ANSI/ASPS/ICC REGULATIONS
  4. HYDRA LINER TRACK FOR STEPS IS INSTALLED WITH THE BARB FACING THE RISER WALL ON THE STEP.


- EXCAVATION NOTES:**
5. ROUGH EXCAVATION SHOULD BE 2" DEEPER IN EACH INSTANCE.
  6. SOIL TO HAVE MINIMUM BEARING CAPACITY OF 1500 PSF.
  7. LOCATE TOP OF POOL AT LEAST 6" ABOVE THE SURROUNDING LAND ELEVATION.
  8. SEE "OVER DIG DETAIL" FOR EXCAVATION AROUND POOL.
  9. FILL VOIDS UNDER BASE OF PANELS AND TAMP WELL.
  10. BACK FILL WITH NON-EXPANSIVE MATERIAL.
  11. FOLLOW ALL CURRENT ANSI / APSP / ICC GUIDELINES FOR RESIDENTIAL POOLS

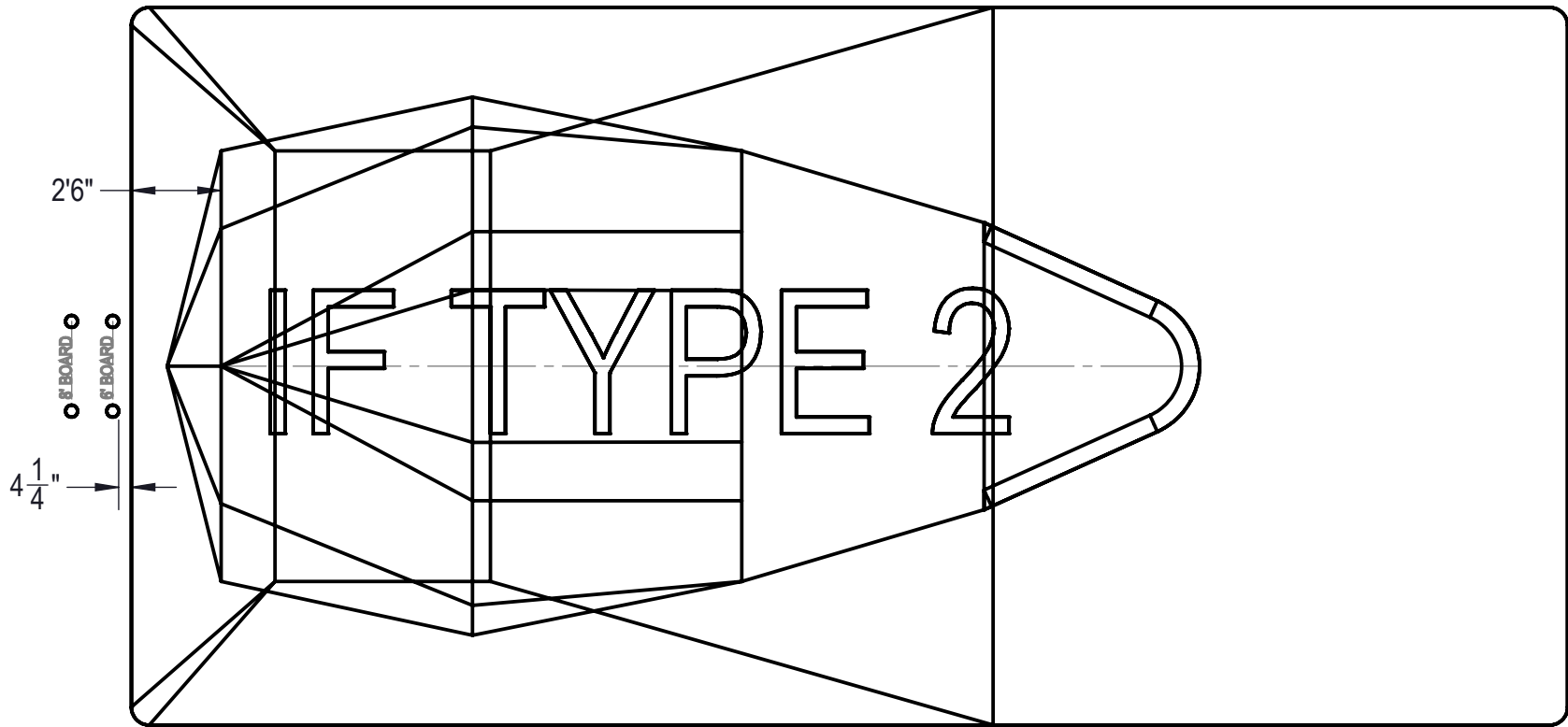
**IMPORTANT NOTES:**  
 THIS DOCUMENT IS FOR ILLUSTRATIVE PURPOSES ONLY. THE DEALER OR CONTRACTOR WHO SELLS OR INSTALLS YOUR POOL IS AN INDEPENDENT CONTRACTOR AND IS NOT AN AGENT OF THE MANUFACTURER. THE CONSTRUCTION METHODS ILLUSTRATED HERE ARE SUGGESTIONS AND APPLY ONLY TO NORMAL GROUND CONDITIONS. THERE MAY BE ADDITIONAL PRECAUTIONS AND/OR METHODS OF CONSTRUCTION. PROPER INSTALLATION IS THE RESPONSIBILITY OF THE DEALER/BUILDER/CONTRACTOR.



ENGINEERING DRAWING NUMBER: <b>00016977</b>	WEIGHT:	<b>UNLESS OTHERWISE SPECIFIED</b> DIMENSIONS ARE IN INCHES TOLERANCES DECIMALS: X ± .1 XX ± .01 XXX ± .001 XXXX ± .0005  ANGULAR: X ± 0.5 THIRD ANGLE PROJECTION	DESIGNED BY:	CREATION DATE:	<b>HYDRA POOLS</b>
	lbs		BUMPHREY	3/20/2013	
	VOLUME:		Detailed by:	DETAILED DATE:	TITLE: LAYOUT, 20' X 40', RECTANGLE, 6" RADIUS, 8" DEEP, HS110N, LIGHT, 3-INLETS, 2-1084, 700 SERIES
	Inch <sup>3</sup>		BUMPHREY	12/18/2017	
COLOR:	LAST REVISED BY:	LAST REVISED DATE:	PART NUMBER: <b>00016977</b>		
NA	bumphrey	12/18/2017			
HEAT TREAT:	MATERIAL:		SCALE:	SIZE:	
NA			1:192	A	
FINISH:			SHEET:		
NA			2 OF 4		
TEXTURE:					
NA					



ENGINEERING DRAWING NUMBER: <b>00016977</b>	WEIGHT:	<b>UNLESS OTHERWISE SPECIFIED</b> DIMENSIONS ARE IN INCHES TOLERANCES DECIMALS: X ± .1 XX ± .01 XXX ± .001 XXXX ± .0005  ANGULAR: X ± 0.5 THIRD ANGLE PROJECTION 	DESIGNED BY:	CREATION DATE:	<b>HYDRA POOLS</b>		
	lbs		BUMPHREY	2/10/2011			
	VOLUME:		MATERIAL:	DETAILED BY:	DETAILED DATE:	TITLE: LAYOUT, 20' X 40', RECTANGLE, 6" RADIUS, 8" DEEP, HS110N, LIGHT, 3-INLETS, 2-1084, 700 SERIES	
	Inch <sup>3</sup>			BUMPHREY	12/18/2017		
	COLOR:			LAST REVISED BY:	LAST REVISED DATE:		
	HEAT TREAT:			bumphrey	12/18/2017		
FINISH:	PART NUMBER:		SCALE:	SIZE:			
TEXTURE:	<b>00016977</b>		1:72	A			



ENGINEERING DRAWING NUMBER: <b>00016977</b>	WEIGHT:	<b>UNLESS OTHERWISE SPECIFIED</b> DIMENSIONS ARE IN INCHES TOLERANCES DECIMALS: X ± .1 XX ± .01 XXX ± .001 XXXX ± .0005  ANGULAR: X ± 0.5 THIRD ANGLE PROJECTION 	DESIGNED BY:	CREATION DATE:	<b>HYDRA POOLS</b>	
	lbs		BUMPHREY	2/10/2011		
	VOLUME:		DETAILED BY:	DETAILED DATE:		
	Inch <sup>3</sup>		BUMPHREY	12/18/2017	TITLE:	LAYOUT, 20' X 40', RECTANGLE, 6" RADIUS, 8" DEEP, HS110N, LIGHT, 3-INLETS, 2-1084, 700 SERIES
	COLOR:		LAST REVISED BY:	LAST REVISED DATE:	PART NUMBER: <b>00016977</b>	
	HEAT TREAT:		bumphrey	12/18/2017		
FINISH:	MATERIAL:		SCALE:	SIZE:		
TEXTURE:			1:72	A		
				SHEET:		
				4 OF 4		