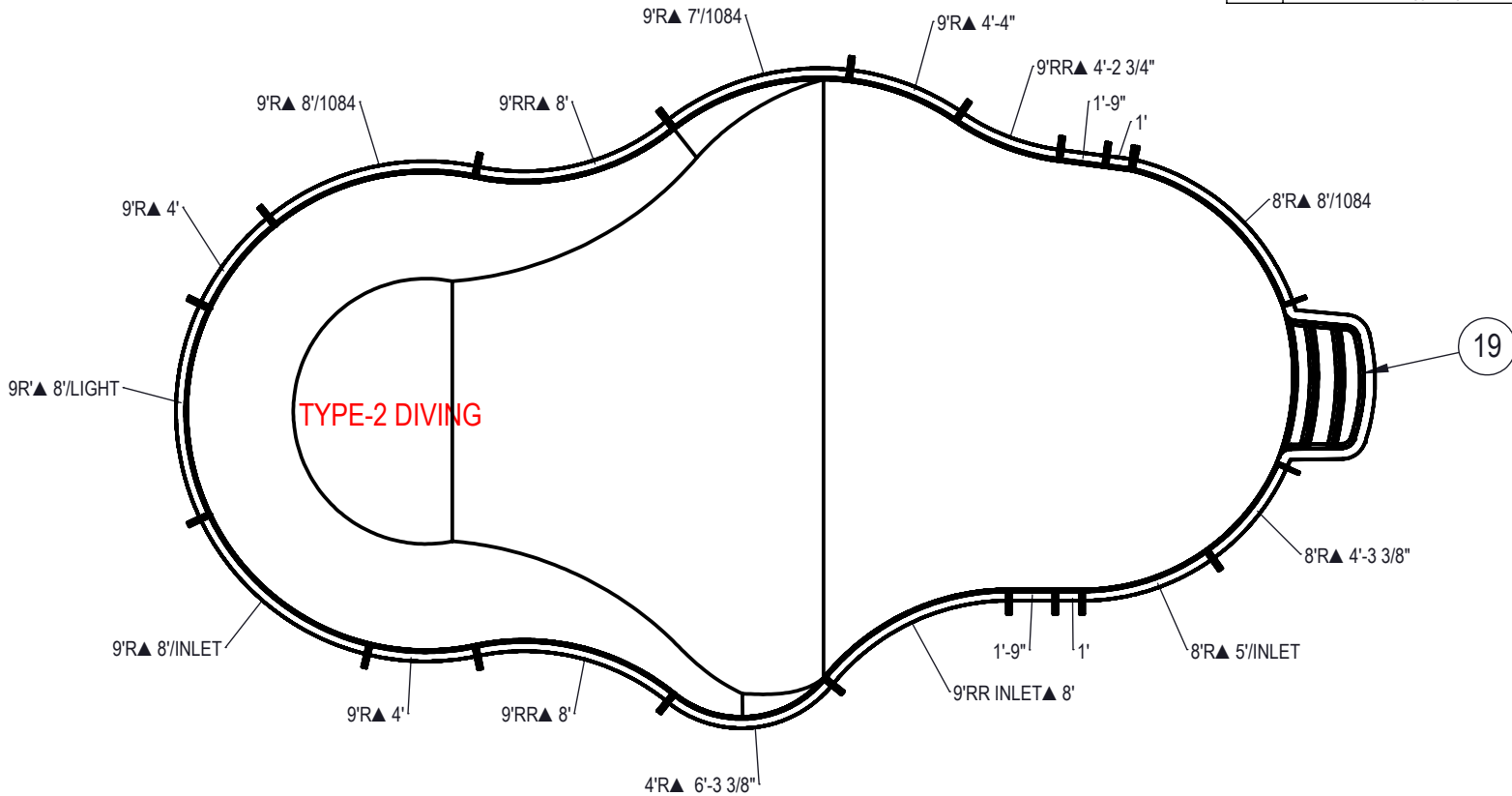


REVISION HISTORY				
REV.	DESCRIPTION	DATE	ECO	BY



NOTES:

- THESE ARE FINISHED DIMENSIONS READY FOR THE LINER.
- DIMENSIONS ARE FROM INSIDE POOL PANELS.
- ROPE AND FLOAT ASSEMBLY SHOULD BE INSTALLED IN ACCORDANCE WITH CURRENT ANSI/ASPS/ICC REGULATIONS
- HYDRA LINER TRACK FOR STEPS IS INSTALLED WITH THE BARB FACING THE RISER WALL ON THE STEP.

EXCAVATION NOTES:

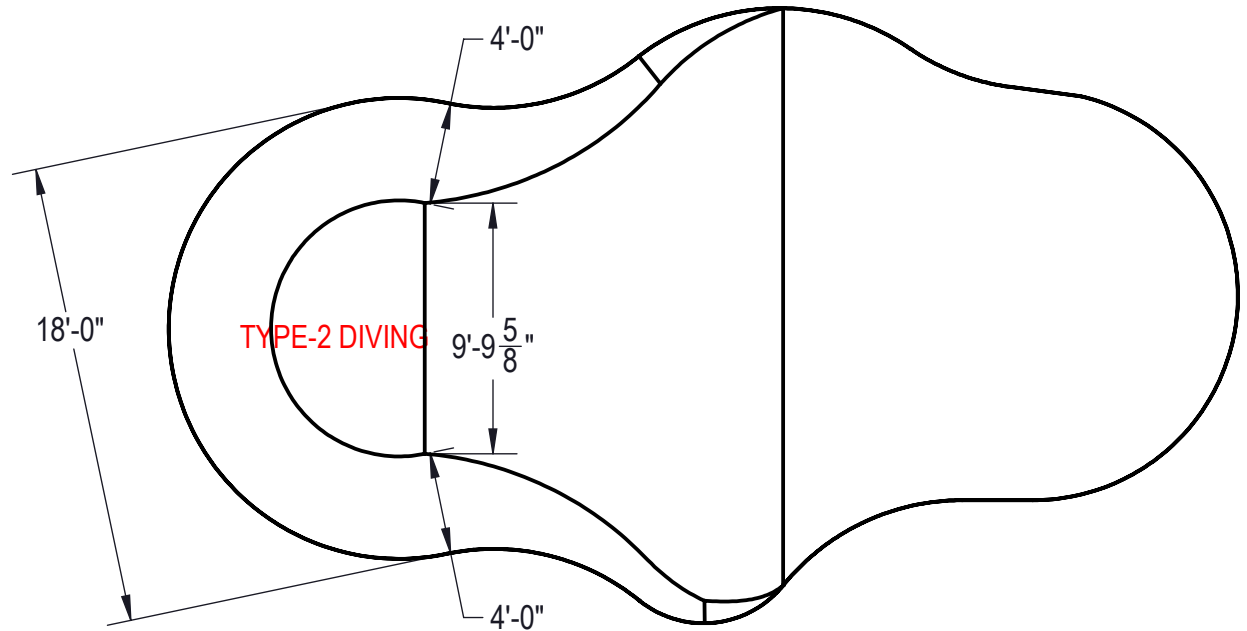
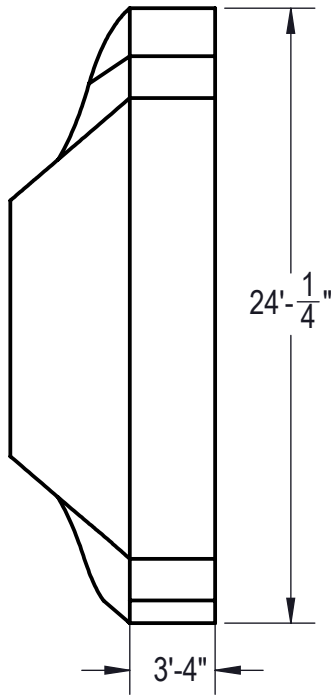
- ROUGH EXCAVATION SHOULD BE 2" DEEPER IN EACH INSTANCE.
- SOIL TO HAVE MINIMUM BEARING CAPACITY OF 1500 PSF.
- LOCATE TOP OF POOL AT LEAST 6" ABOVE THE SURROUNDING LAND ELEVATION.
- SEE "OVER DIG DETAIL" FOR EXCAVATION AROUND POOL.
- FILL VOIDS UNDER BASE OF PANELS AND TAMP WELL.
- BACK FILL WITH NON-EXPANSIVE MATERIAL.
- FOLLOW ALL CURRENT ANSI / APSP / ICC GUIDELINES FOR RESIDENTIAL POOLS

IMPORTANT NOTES:

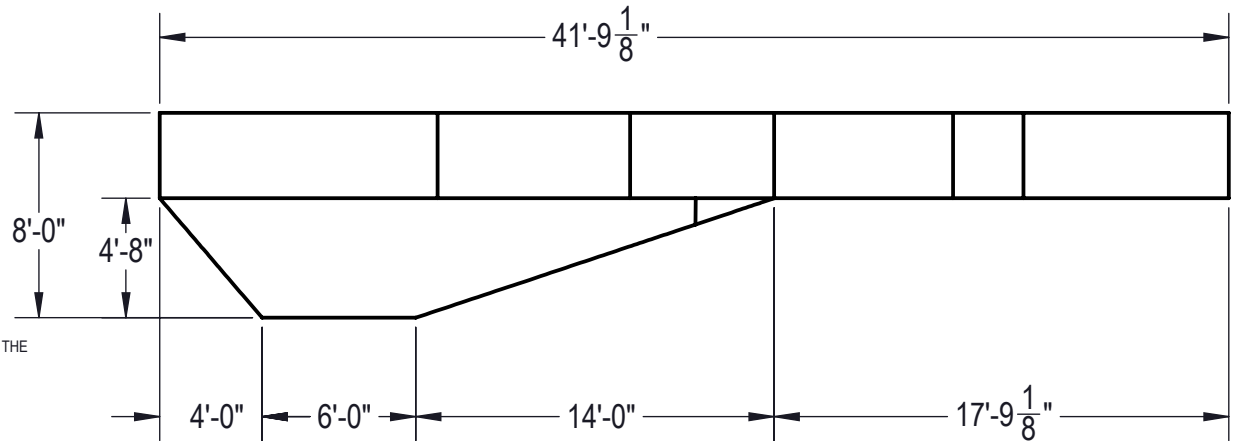
THIS DOCUMENT IS FOR ILLUSTRATIVE PURPOSES ONLY. THE DEALER OR CONTRACTOR WHO SELLS OR INSTALLS YOUR POOL IS AN INDEPENDENT CONTRACTOR AND IS NOT AN AGENT OF THE MANUFACTURER. THE CONSTRUCTION METHODS ILLUSTRATED HERE ARE SUGGESTIONS AND APPLY ONLY TO NORMAL GROUND CONDITIONS. THERE MAY BE ADDITIONAL PRECAUTIONS AND/OR METHODS OF CONSTRUCTION. PROPER INSTALLATION IS THE RESPONSIBILITY OF THE DEALER/BUILDER/CONTRACTOR.

ITEM	FILE NAME	DESCRIPTION	CUSTOMER DRAWING #	VENDOR PART #	QTY.
1	BOLT, PACK	BOLT, FLANGE, 3/8-16 X 1", PACK (50)	HPS1916	HPS1916	5
2	SBRACE	BRACE, FOLD OVER WITH TURNBUCKLE, STEEL, HPSFOB	HPSFOB	HPSFOB	20
3	00017241	LAYOUT, 18' X 41'-7", MOUNTAIN LAKE, 8' DEEP, HS303N, LIGHT, 3-1084, 3-INLET, 600 SERIES	00017241	00017241	1
4	PANEL, STRAIGHT	PANEL, 1' LONG, 600 SERIES	HPSD101P	0000621	2
5	PANEL, STRAIGHT	PANEL, 1' 9" LONG, 600 SERIES	HPSD19P	0001292	2
6	PANEL, RADIUS	PANEL, 4' RADIUS, 6'-3 3/8" LONG, 600 SERIES	HPSD4R	00000289	1
7	PANEL, RADIUS	PANEL, 8' RADIUS, 4'-3 3/8" LONG, 600 SERIES	HPSCR5	00006225	1
8	PANEL, RADIUS	PANEL, 8' RADIUS, 5' LONG, INLET, 600 SERIES	HPSCR6	00008488	1
9	PANEL, RADIUS	PANEL, 8' RADIUS, 8' LONG, 1084, 600 SERIES	HPSD8R884	00000271	1
10	PANEL, RADIUS	PANEL, 9' RADIUS, 4' LONG, 600 SERIES	HPSD9R4	00000353	2
11	PANEL, RADIUS	PANEL, 9' RADIUS, 4'-4" LONG, 600 SERIES	HPSCR5	00007845	1
12	PANEL, RADIUS	PANEL, 9' RADIUS, 7' LONG, 1084, 600 SERIES	HPS9R784	00001623	1
13	PANEL, RADIUS	PANEL, 9' RADIUS, 8' LONG, 1084, 600 SERIES	HPS9R884	00000272	1
14	PANEL, RADIUS	PANEL, 9' RADIUS, 8' LONG, LIGHT, 600 SERIES	HPSD9R8L	00000398	1
15	PANEL, RADIUS	PANEL, 9' RADIUS, 8", INLET OR LED, 600 SERIES	HPSD9R8I	00000275	1
16	PANEL, RR	PANEL, 9' REVERSE RADIUS, 4'-2 3/4" LONG, 600 SERIES	HPSCR5R	00003043	1
17	PANEL, RR	PANEL, 9' REVERSE RADIUS, 8' LONG, 600 SERIES	HPSD9RR8	00000436	2
18	PANEL, RR	PANEL, 9' REVERSE RADIUS, 8' LONG, INLET, 600 SERIES	HPSCR8R	00005937	1
19	HS303N	STEP, 9' RADIUS, 3 TREAD, CANTILEVER	HS303N	HS303N	1

ENGINEERING DRAWING NUMBER 00017241	WEIGHT: lbs	UNLESS OTHERWISE SPECIFIED DIMENSIONS ARE IN INCHES TOLERANCES DECIMALS: X ± .1 XX ± .01 XXX ± .001 XXXX ± .0005 ANGULAR: X ± 0.5 THIRD ANGLE PROJECTION 	DESIGNED BY: BUMPHREY	CREATION DATE: 6/28/2013	HYDRA POOLS
	VOLUME: Inch ³		DETAILED BY: BUMPHREY	DETAILED DATE: 1/16/2018	
	COLOR:		LAST REVISED BY: bumphrey	LAST REVISED DATE: 1/16/2018	
	HEAT TREAT:		MATERIAL:	TITLE: LAYOUT, 18' X 41'-7", MOUNTAIN LAKE, 8' DEEP, HS303N, LIGHT, 3-1084, 3-INLET, 600 SERIES	
	FINISH:			PART NUMBER: 00017241	
TEXTURE:		SCALE: 1:84	SIZE: A		



Area: 707.26ft ^2
Perimeter: 106.65ft
Volume = 24791 US gallons



NOTES:

1. THESE ARE FINISHED DIMENSIONS READY FOR THE LINER.
2. DIMENSIONS ARE FROM INSIDE POOL PANELS.
3. ROPE AND FLOAT ASSEMBLY SHOULD BE INSTALLED IN ACCORDANCE WITH CURRENT ANSI/ASPS/ICC REGULATIONS
4. HYDRA LINER TRACK FOR STEPS IS INSTALLED WITH THE BARB FACING THE RISER WALL ON THE STEP.

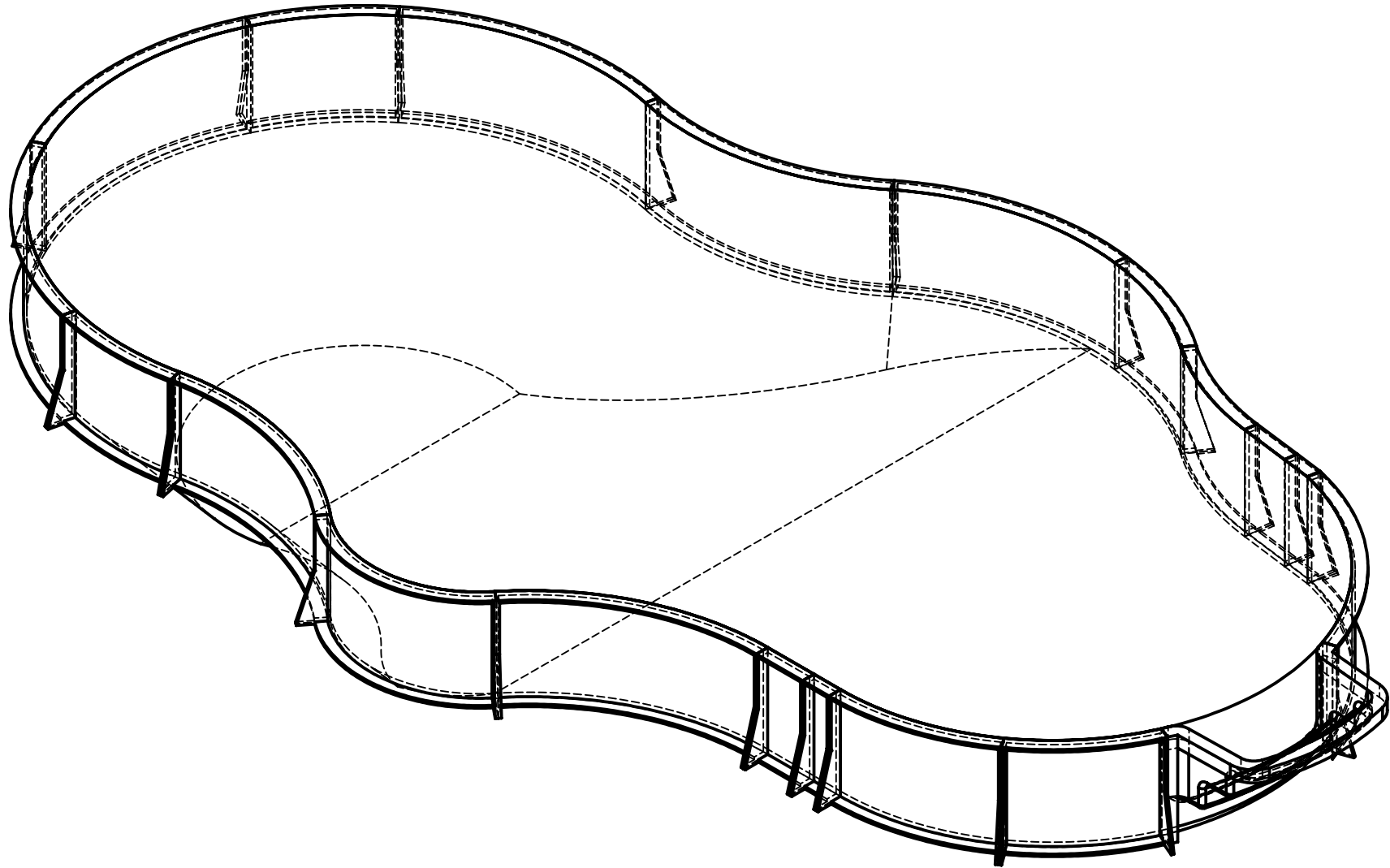
EXCAVATION NOTES:


5. ROUGH EXCAVATION SHOULD BE 2" DEEPER IN EACH INSTANCE.
6. SOIL TO HAVE MINIMUM BEARING CAPACITY OF 1500 PSF.
7. LOCATE TOP OF POOL AT LEAST 6" ABOVE THE SURROUNDING LAND ELEVATION.
8. SEE "OVER DIG DETAIL" FOR EXCAVATION AROUND POOL.
9. FILL VOIDS UNDER BASE OF PANELS AND TAMP WELL.
10. BACK FILL WITH NON-EXPANSIVE MATERIAL.
11. FOLLOW ALL CURRENT ANSI / APSP / ICC GUIDELINES FOR RESIDENTIAL POOLS

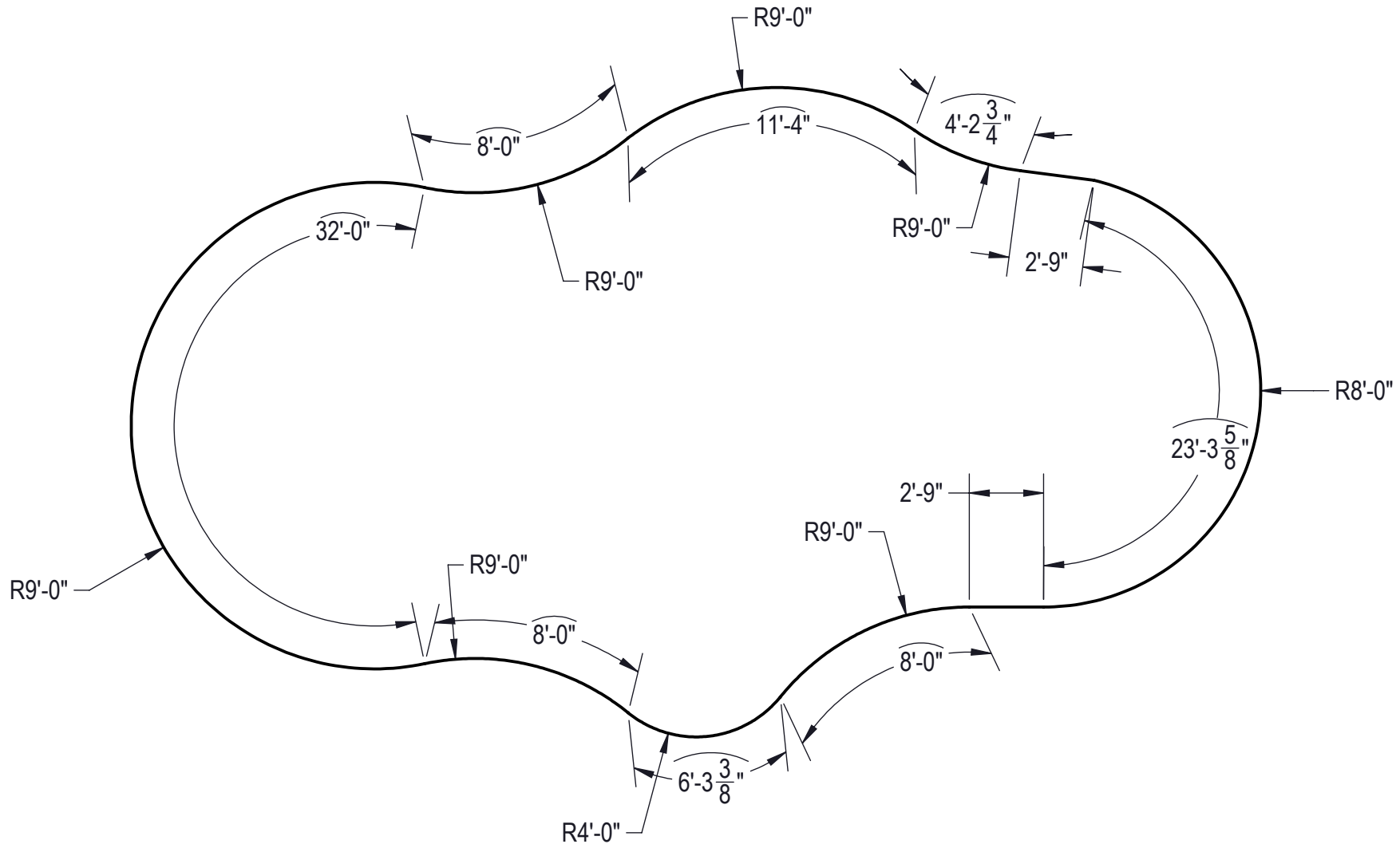
IMPORTANT NOTES:


THIS DOCUMENT IS FOR ILLUSTRATIVE PURPOSES ONLY. THE DEALER OR CONTRACTOR WHO SELLS OR INSTALLS YOUR POOL IS AN INDEPENDENT CONTRACTOR AND IS NOT AN AGENT OF THE MANUFACTURER. THE CONSTRUCTION METHODS ILLUSTRATED HERE ARE SUGGESTIONS AND APPLY ONLY TO NORMAL GROUND CONDITIONS. THERE MAY BE ADDITIONAL PRECAUTIONS AND/OR METHODS OF CONSTRUCTION. PROPER INSTALLATION IS THE RESPONSIBILITY OF THE DEALER/BUILDER/CONTRACTOR.

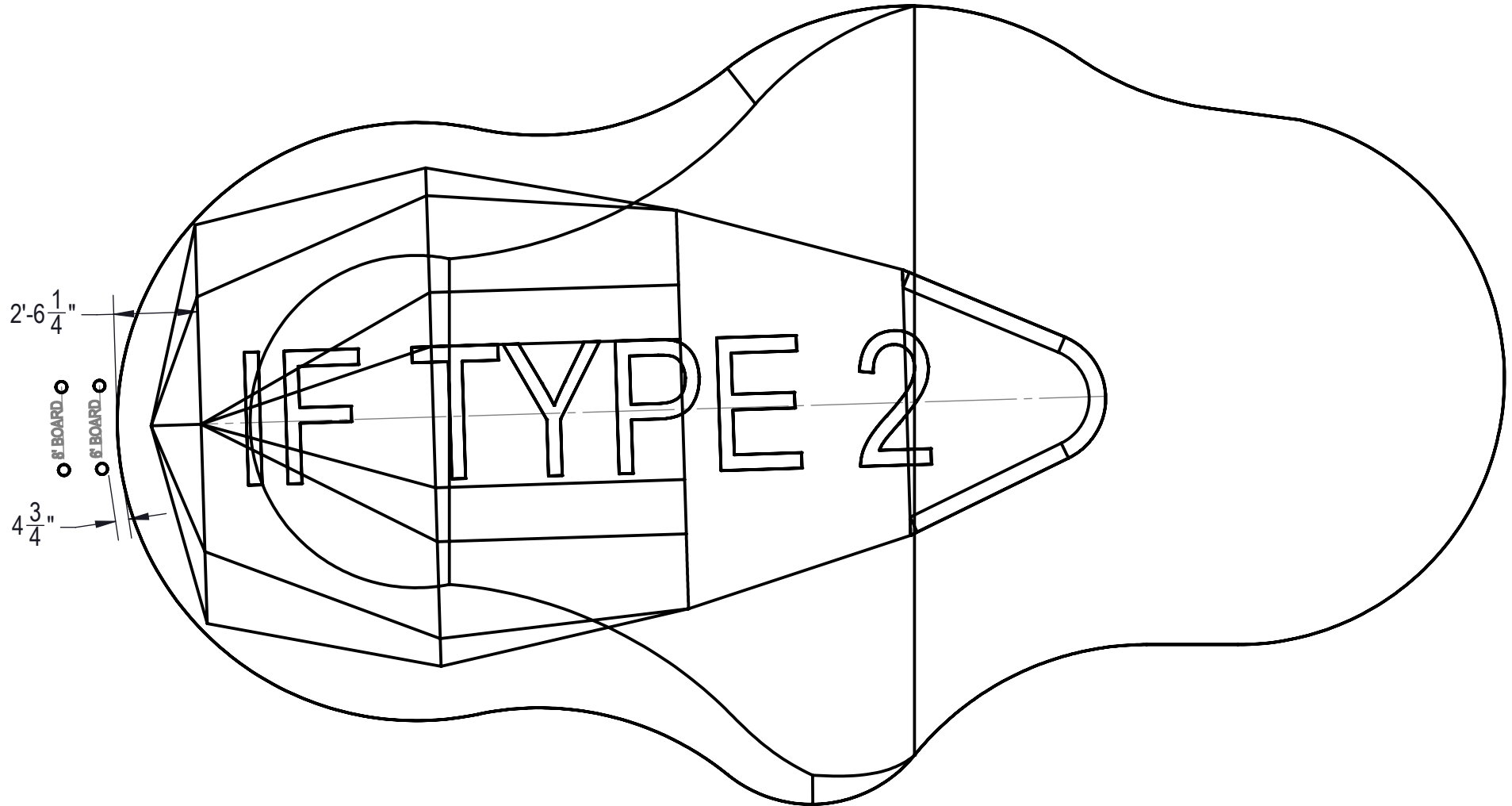
ENGINEERING DRAWING NUMBER: 00017241	WEIGHT:	UNLESS OTHERWISE SPECIFIED DIMENSIONS ARE IN INCHES TOLERANCES DECIMALS: X ± .1 XX ± .01 XXX ± .001 XXXX ± .0005 ANGULAR: X ± 0.5 THIRD ANGLE PROJECTION	DESIGNED BY:	CREATION DATE:	HYDRA POOLS	
	lbs		BUMPHREY	6/27/2013		
	VOLUME:			DETAILED BY:	DETAILED DATE:	TITLE: LAYOUT, 18' X 41'-7", MOUNTAIN LAKE, 8' DEEP, HS303N, LIGHT, 3-1084, 3-INLET, 600 SERIES
	Inch ³			BUMPHREY	1/16/2018	
COLOR:		LAST REVISED BY:	LAST REVISED DATE:	PART NUMBER: <div style="font-size: 2em; font-weight: bold;">00017241</div>		
NA		bumphrey	1/16/2018			
HEAT TREAT:		MATERIAL:		SCALE:	SIZE:	
NA				1:192	A	
FINISH:				SHEET:		
NA				2 OF 5		
TEXTURE:						
NA						




ENGINEERING DRAWING NUMBER: 00017241	WEIGHT:	UNLESS OTHERWISE SPECIFIED DIMENSIONS ARE IN INCHES TOLERANCES DECIMALS: X ± .1 XX ± .01 XXX ± .001 XXXX ± .0005 ANGULAR: X ± 0.5 THIRD ANGLE PROJECTION 	DESIGNED BY:	CREATION DATE:	HYDRA POOLS
	lbs		BUMPHREY	6/28/2013	
	VOLUME:		DETAILED BY:	DETAILED DATE:	
	Inch ³		BUMPHREY	1/16/2018	TITLE: LAYOUT, 18' X 41'-7", MOUNTAIN LAKE, 8' DEEP, HS303N, LIGHT, 3-1084, 3-INLET, 600 SERIES
	COLOR:		LAST REVISED BY:	LAST REVISED DATE:	PART NUMBER: <div style="font-size: 2em; font-weight: bold; text-align: center;">00017241</div>
	HEAT TREAT:		bumphrey	1/16/2018	
FINISH:	MATERIAL:		SHEET: 3 OF 5	SIZE: A	
TEXTURE:					



ENGINEERING DRAWING NUMBER: 00017241	WEIGHT:	UNLESS OTHERWISE SPECIFIED DIMENSIONS ARE IN INCHES TOLERANCES DECIMALS: X ± .1 XX ± .01 XXX ± .001 XXXX ± .0005 ANGULAR: X ± 0.5 THIRD ANGLE PROJECTION 	DESIGNED BY:	CREATION DATE:	HYDRA POOLS	
	lbs		BUMPHREY	6/27/2013		
	VOLUME:		DESIGNED BY: BUMPHREY LAST REVISED BY: bumpfrey MATERIAL:	DETAILED DATE:	TITLE: LAYOUT, 18' X 41'-7", MOUNTAIN LAKE, 8' DEEP, HS303N, LIGHT, 3-1084, 3-INLET, 600 SERIES	
	Inch ³			1/16/2018		
	COLOR:			LAST REVISED DATE:		
	NA			1/16/2018		
HEAT TREAT:	PART NUMBER:		SCALE:	SIZE:		
NA	00017241		1:68	A		
FINISH:			SHEET:			
NA			4 OF 5			
TEXTURE:						
NA						



ENGINEERING DRAWING NUMBER: 00017241	WEIGHT:	UNLESS OTHERWISE SPECIFIED DIMENSIONS ARE IN INCHES TOLERANCES DECIMALS: X ± .1 XX ± .01 XXX ± .001 XXXX ± .0005 ANGULAR: X ± 0.5 THIRD ANGLE PROJECTION 	DESIGNED BY:	CREATION DATE:	HYDRA POOLS	
	lbs		BUMPHREY	6/28/2013		
	VOLUME:		DETAILED BY:	DETAILED DATE:		
	Inch ³		BUMPHREY	1/16/2018	TITLE:	LAYOUT, 18' X 41'-7", MOUNTAIN LAKE, 8' DEEP, HS303N, LIGHT, 3-1084, 3-INLET, 600 SERIES
	COLOR:		LAST REVISED BY:	LAST REVISED DATE:	PART NUMBER:	00017241
	HEAT TREAT:		bumphrey	1/16/2018	SCALE:	1:68
FINISH:	MATERIAL:		SHEET:	5 OF 5		
TEXTURE:			SIZE:	A		