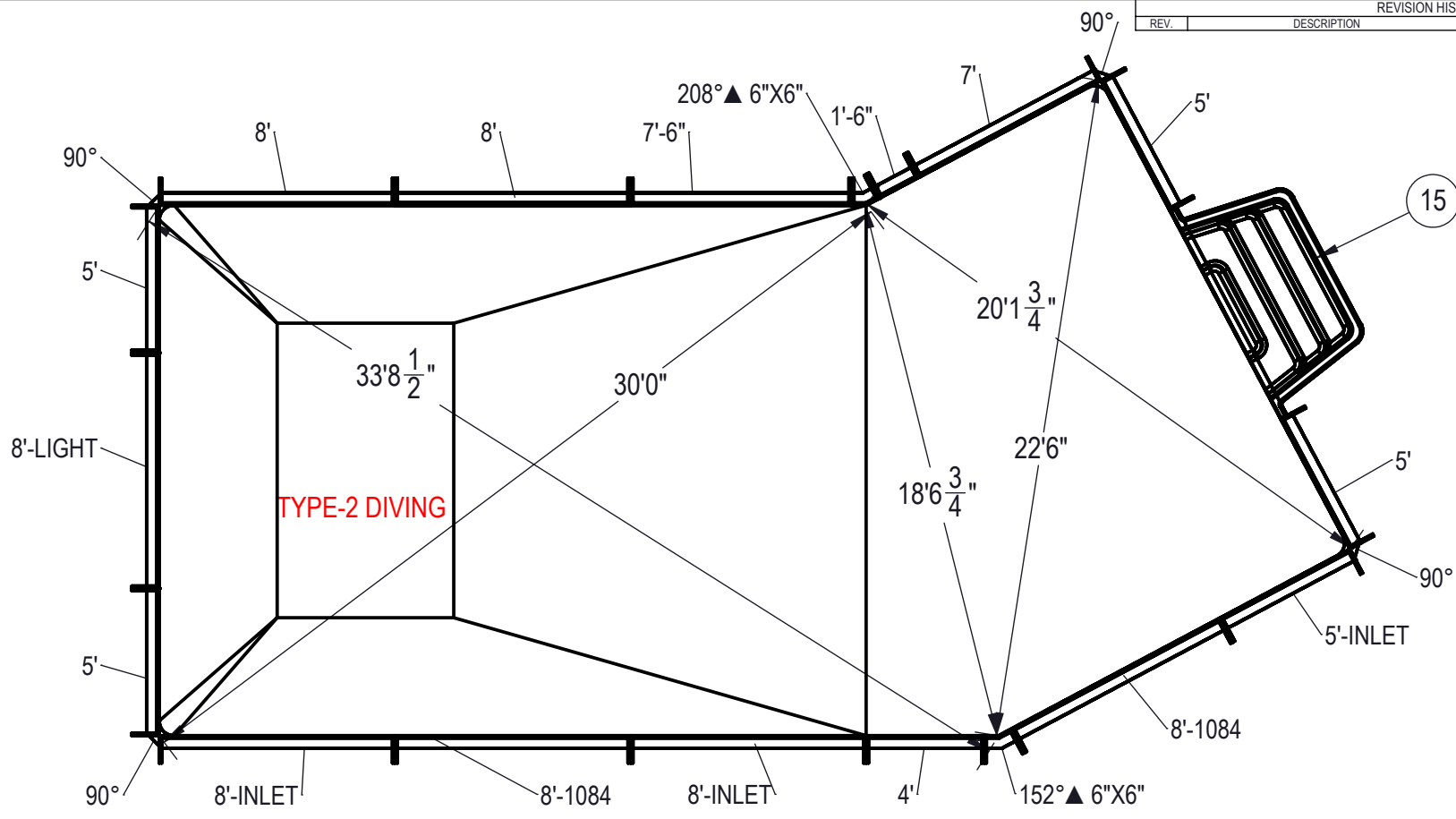


REVISION HISTORY				
REV.	DESCRIPTION	DATE	ECO	BY



- NOTES:**
- THESE ARE FINISHED DIMENSIONS READY FOR THE LINER.
 - DIMENSIONS ARE FROM INSIDE POOL PANELS.
 - ROPE AND FLOAT ASSEMBLY SHOULD BE INSTALLED IN ACCORDANCE WITH CURRENT ANSI/ASPS/ICC REGULATIONS
 - HYDRA LINER TRACK FOR STEPS IS INSTALLED WITH THE BARB FACING THE RISER WALL ON THE STEP.

- EXCAVATION NOTES:**
- ROUGH EXCAVATION SHOULD BE 2" DEEPER IN EACH INSTANCE.
 - SOIL TO HAVE MINIMUM BEARING CAPACITY OF 1500 PSF.
 - LOCATE TOP OF POOL AT LEAST 6" ABOVE THE SURROUNDING LAND ELEVATION.
 - SEE "OVER DIG DETAIL" FOR EXCAVATION AROUND POOL.
 - FILL VOIDS UNDER BASE OF PANELS AND TAMP WELL.
 - BACK FILL WITH NON-EXPANSIVE MATERIAL.
 - FOLLOW ALL CURRENT ANSI / APSP / ICC GUIDELINES FOR RESIDENTIAL POOLS
- IMPORTANT NOTES:**
- THIS DOCUMENT IS FOR ILLUSTRATIVE PURPOSES ONLY. THE DEALER OR CONTRACTOR WHO SELLS OR INSTALLS YOUR POOL IS AN INDEPENDENT CONTRACTOR AND IS NOT AN AGENT OF THE MANUFACTURER. THE CONSTRUCTION METHODS ILLUSTRATED HERE ARE SUGGESTIONS AND APPLY ONLY TO NORMAL GROUND CONDITIONS. THERE MAY BE ADDITIONAL PRECAUTIONS AND/OR METHODS OF CONSTRUCTION. PROPER INSTALLATION IS THE RESPONSIBILITY OF THE DEALER/BUILDER/CONTRACTOR.

ITEM	FILE NAME	DESCRIPTION	CUSTOMER DRAWING #	VENDOR PART #	QTY.
1	BOLT, PACK	BOLT, FLANGE, 3/8-16 X 1", PACK (50)	HPS1916	HPS1916	6
2	SBRACE	BRACE, FOLD OVER WITH TURNBUCKLE, STEEL, HPSFOB	HPSFOB	HPSFOB	23
3	PANEL, ANGLE	PANEL, ANGLE, 6" X 6" X 152°, 600 SERIES	HPSDLL	00001675	1
4	PANEL, ANGLE	PANEL, ANGLE, 6" X 6" X 208°, 600 SERIES	HPSDLLR	00001673	1
5	PANEL, STRAIGHT	PANEL, 1'-6" LONG, 600 SERIES	HPSD16P	00001252	1
6	PANEL, STRAIGHT	PANEL, 4' LONG, 600 SERIES	HPSD104P	00000274	1
7	PANEL, STRAIGHT	PANEL, 5' LONG, 600 SERIES	HPSD105P	00000674	4
8	PANEL, STRAIGHT	PANEL, 5' LONG, INLET, 600 SERIES	HPSCS5	00006520	1
9	PANEL, STRAIGHT	PANEL, 7' LONG, 600 SERIES	HPSD107P	00000680	1
10	PANEL, STRAIGHT	PANEL, 7'-6" LONG, 600 SERIES	HPSD1076P	00000682	1
11	PANEL, STRAIGHT	PANEL, 8' LONG, 1084, 600 SERIES	HPSD1088A	00002006	2
12	PANEL, STRAIGHT	PANEL, 8' LONG, 600 SERIES	HPSD108P	00000687	3
13	PANEL, STRAIGHT	PANEL, 8' LONG, INLET, 600 SERIES	HPSD108I	00000699	2
14	PANEL, STRAIGHT	PANEL, 8' LONG, LIGHT, 600 SERIES	HPSD108L	00000701	1
15	HS110N	STEP, 8", TWIN SEAT, 4 TREAD	HS110N	HS110N	1
16	PANEL, WEDGE	WEDGE, 2 1/2" X 2 1/2" X 90°-600-ASSEMBLY	HPSD6CA	00005721	4

UNLESS OTHERWISE SPECIFIED

DIMENSIONS ARE IN INCHES
TOLERANCES
DECIMALS: X ± .1
 XX ± .01
 XXX ± .001
 XXXX ± .0005

ANGULAR: X ± 0.5
THIRD ANGLE PROJECTION

WEIGHT: 320082.1 lbs
VOLUME: Inch³
COLOR:
HEAT TREAT:
FINISH:
TEXTURE:

ENGINEERING DRAWING NUMBER: 00017091

DESIGNED BY: BUMPHREY
CREATION DATE: 8/15/2013

DETAILED BY: BUMPHREY
DETAILED DATE: 1/4/2018

LAST REVISED BY: bumphrey
LAST REVISED DATE: 1/4/2018

MATERIAL:

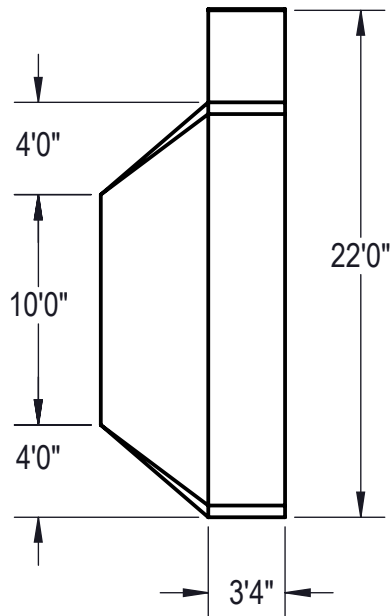
HYDRA POOLS

TITLE: LAYOUT, 18' X 40'-3", LAZY, L, RIGHT, 6" RADIUS, 8" DEEP, HS110N, LIGHT, 2-1084, 3-INLET, 600 SERIES

PART NUMBER: 00017091

SCALE: 1:192
SHEET: 1 OF 4

A



Area: 675.05ft ^2
Perimeter: 110.17ft
Volume = 24581 US gallons

NOTES:

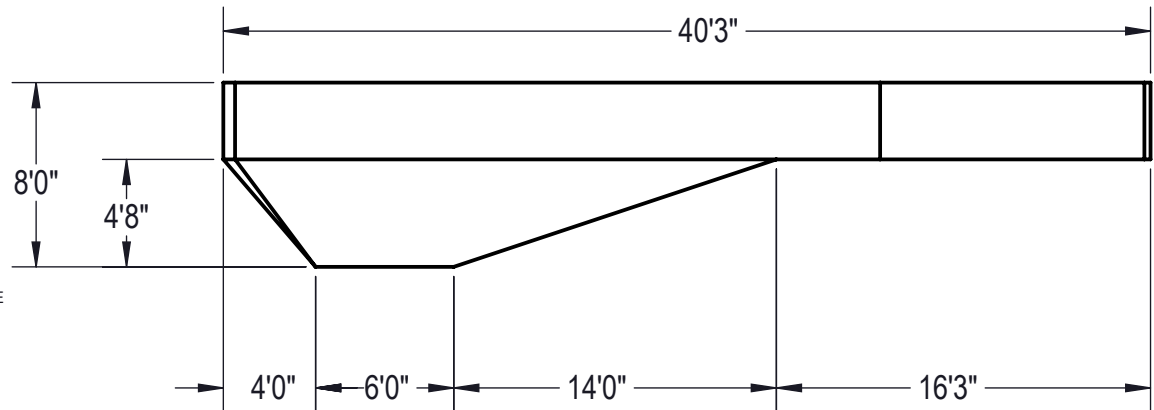
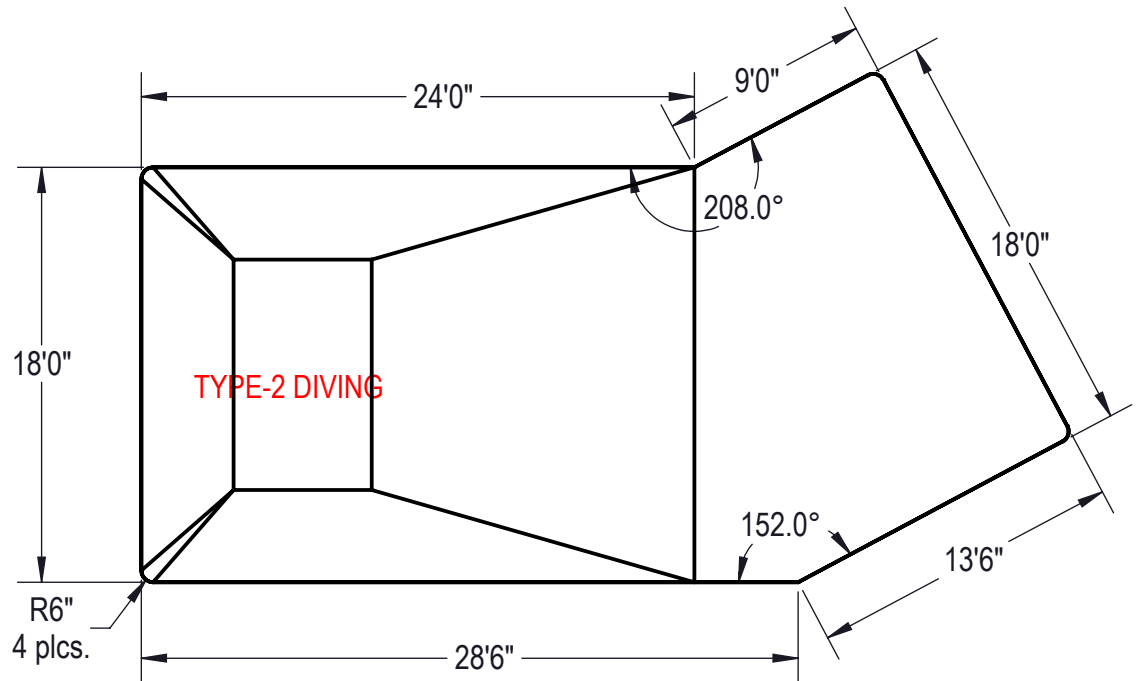
1. THESE ARE FINISHED DIMENSIONS READY FOR THE LINER.
2. DIMENSIONS ARE FROM INSIDE POOL PANELS.
3. ROPE AND FLOAT ASSEMBLY SHOULD BE INSTALLED IN ACCORDANCE WITH CURRENT ANSI/ASPS/ICC REGULATIONS
4. HYDRA LINER TRACK FOR STEPS IS INSTALLED WITH THE BARB FACING THE RISER WALL ON THE STEP.

EXCAVATION NOTES:

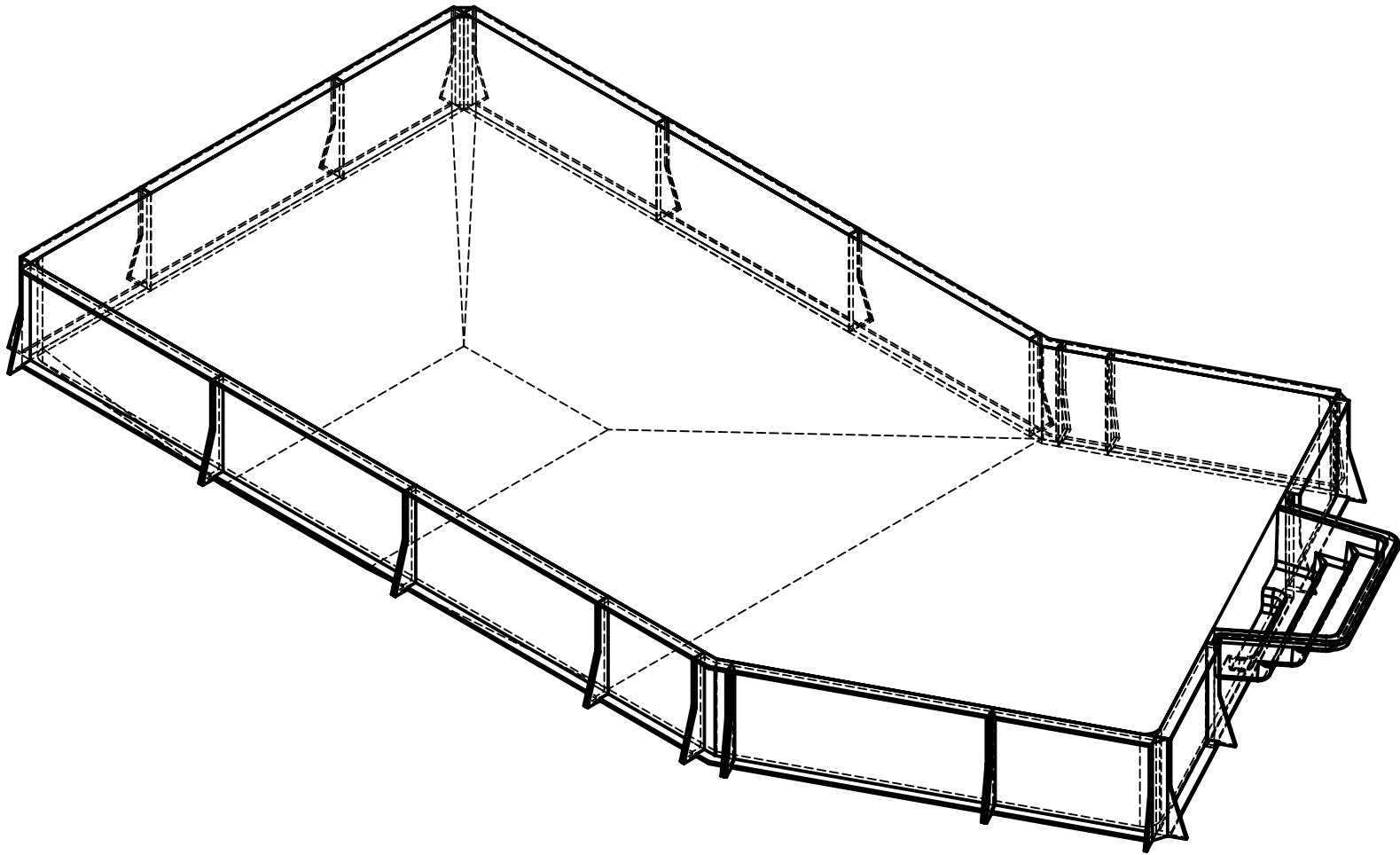
5. ROUGH EXCAVATION SHOULD BE 2" DEEPER IN EACH INSTANCE.
6. SOIL TO HAVE MINIMUM BEARING CAPACITY OF 1500 PSF.
7. LOCATE TOP OF POOL AT LEAST 6" ABOVE THE SURROUNDING LAND ELEVATION.
8. SEE "OVER DIG DETAIL" FOR EXCAVATION AROUND POOL.
9. FILL VOIDS UNDER BASE OF PANELS AND TAMP WELL.
10. BACK FILL WITH NON-EXPANSIVE MATERIAL.
11. FOLLOW ALL CURRENT ANSI / APSP / ICC GUIDELINES FOR RESIDENTIAL POOLS


IMPORTANT NOTES:

THIS DOCUMENT IS FOR ILLUSTRATIVE PURPOSES ONLY. THE DEALER OR CONTRACTOR WHO SELLS OR INSTALLS YOUR POOL IS AN INDEPENDENT CONTRACTOR AND IS NOT AN AGENT OF THE MANUFACTURER. THE CONSTRUCTION METHODS ILLUSTRATED HERE ARE SUGGESTIONS AND APPLY ONLY TO NORMAL GROUND CONDITIONS. THERE MAY BE ADDITIONAL PRECAUTIONS AND/OR METHODS OF CONSTRUCTION. PROPER INSTALLATION IS THE RESPONSIBILITY OF THE DEALER/BUILDER/CONTRACTOR.



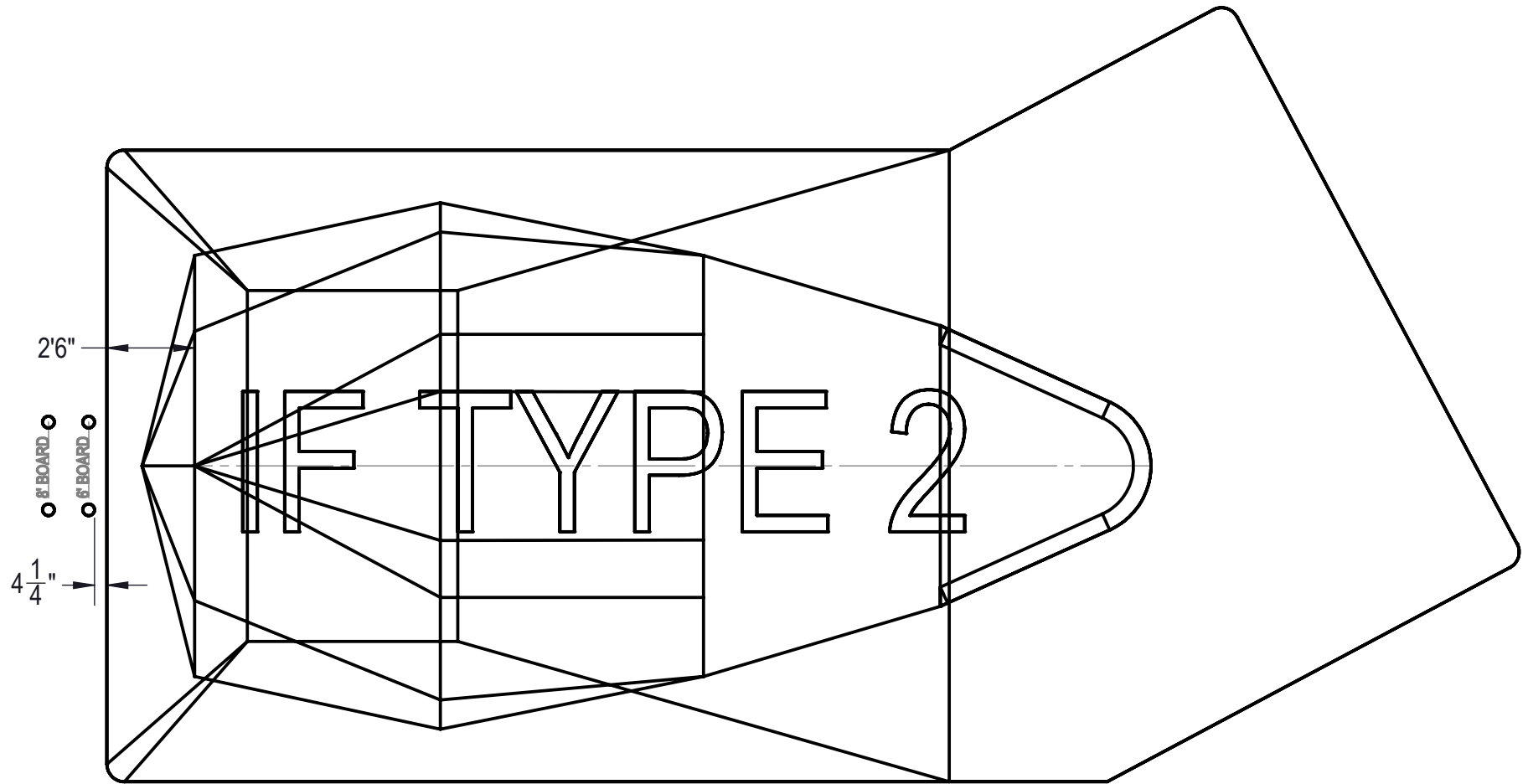
ENGINEERING DRAWING NUMBER: 00017091	WEIGHT: 205139.116 lbs	UNLESS OTHERWISE SPECIFIED DIMENSIONS ARE IN INCHES TOLERANCES DECIMALS: X ± .1 XX ± .01 XXX ± .001 XXXX ± .0005 ANGULAR: X ± 0.5 THIRD ANGLE PROJECTION	DESIGNED BY: BUMPHREY	CREATION DATE: 8/15/2013	HYDRA POOLS	
	VOLUME: 5678232.781 Inch³		DETAILED BY: BUMPHREY	DETAILED DATE: 1/4/2018		
	COLOR: NA		LAST REVISED BY: bumphrey	LAST REVISED DATE: 1/4/2018	TITLE: LAYOUT, 18' X 40'-3", LAZY, L, RIGHT, 6" RADIUS, 8" DEEP, HS110N, LIGHT, 2-1084, 3-INLET, 600 SERIES	
	HEAT TREAT: NA		MATERIAL: Water	PART NUMBER: 00017091		
FINISH: NA					SHEET: 2 OF 4	
TEXTURE: NA						



ENGINEERING DRAWING NUMBER: 00017091	WEIGHT: 320082.1 lbs	UNLESS OTHERWISE SPECIFIED DIMENSIONS ARE IN INCHES TOLERANCES DECIMALS: X ± .1 XX ± .01 XXX ± .001 XXXX ± .0005 ANGULAR: X ± 0.5 THIRD ANGLE PROJECTION 	DESIGNED BY: BUMPHREY	CREATION DATE: 8/15/2013	HYDRA POOLS	
	VOLUME: Inch ³		DETAILED BY: BUMPHREY	DETAILED DATE: 1/4/2018		
	COLOR:		LAST REVISED BY: bumphrey	LAST REVISED DATE: 1/4/2018		
	HEAT TREAT:		MATERIAL:		TITLE: LAYOUT, 18' X 40'-3", LAZY, L, RIGHT, 6" RADIUS, 8' DEEP, HS110N, LIGHT, 2-1084, 3-INLET, 600 SERIES	
	FINISH:		PART NUMBER:		SCALE: 1:192	
	TEXTURE:		00017091		SHEET: 3 OF 4	

00017091

A



ENGINEERING DRAWING NUMBER: 00017091	WEIGHT: 320082.1 lbs	UNLESS OTHERWISE SPECIFIED DIMENSIONS ARE IN INCHES TOLERANCES DECIMALS: X ± .1 XX ± .01 XXX ± .001 XXXX ± .0005 ANGULAR: X ± 0.5 THIRD ANGLE PROJECTION 	DESIGNED BY: BUMPHREY	CREATION DATE: 8/15/2013	HYDRA POOLS TITLE: LAYOUT, 18' X 40'-3", LAZY, L, RIGHT, 6" RADIUS, 8' DEEP, HS110N, LIGHT, 2-1084, 3-INLET, 600 SERIES		
	VOLUME: Inch ³		DETAILED BY: BUMPHREY	DETAILED DATE: 1/4/2018			
	COLOR:		LAST REVISED BY: bumphrey	LAST REVISED DATE: 1/4/2018			
	HEAT TREAT:		MATERIAL:		PART NUMBER:	SCALE: 1:192	SIZE: A
	FINISH:				00017091	SHEET: 4 OF 4	
	TEXTURE:						