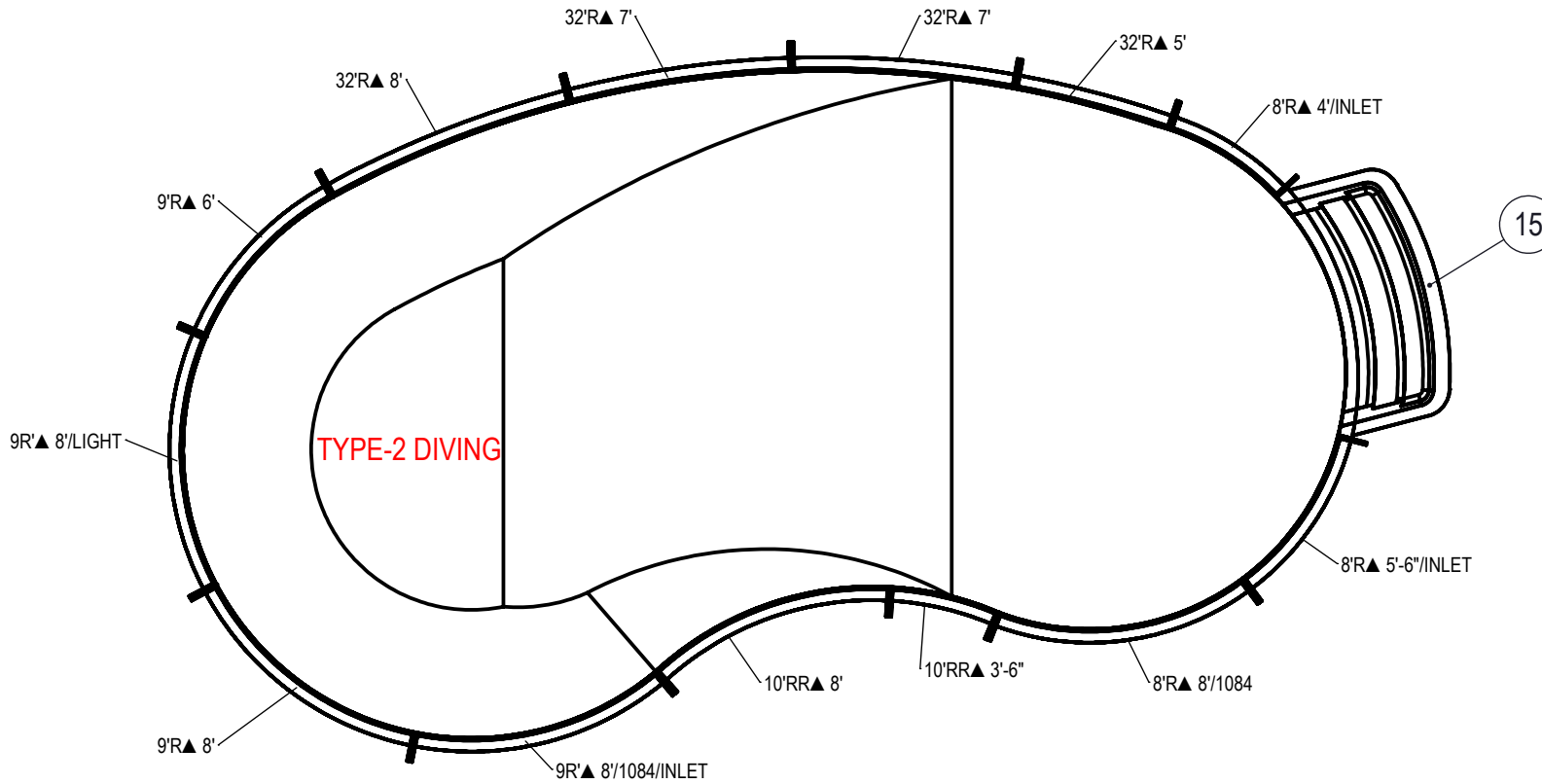


REVISION HISTORY				
REV.	DESCRIPTION	DATE	ECO	BY



**NOTES:**

- THESE ARE FINISHED DIMENSIONS READY FOR THE LINER.
- DIMENSIONS ARE FROM INSIDE POOL PANELS.
- ROPE AND FLOAT ASSEMBLY SHOULD BE INSTALLED IN ACCORDANCE WITH CURRENT ANSI/ASPS/ICC REGULATIONS
- HYDRA LINER TRACK FOR STEPS IS INSTALLED WITH THE BARB FACING THE RISER WALL ON THE STEP.

**EXCAVATION NOTES:**

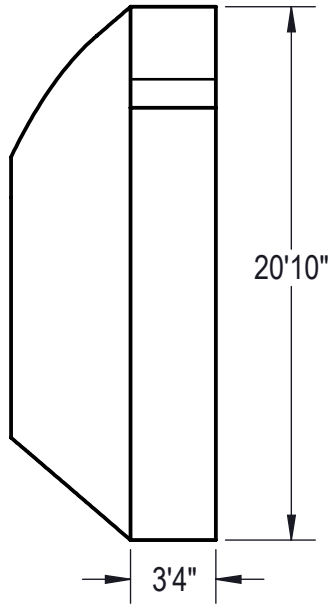
- ROUGH EXCAVATION SHOULD BE 2" DEEPER IN EACH INSTANCE.
- SOIL TO HAVE MINIMUM BEARING CAPACITY OF 1500 PSF.
- LOCATE TOP OF POOL AT LEAST 6" ABOVE THE SURROUNDING LAND ELEVATION.
- SEE "OVER DIG DETAIL" FOR EXCAVATION AROUND POOL.
- FILL VOIDS UNDER BASE OF PANELS AND TAMP WELL.
- BACK FILL WITH NON-EXPANSIVE MATERIAL.
- FOLLOW ALL CURRENT ANSI / APSP / ICC GUIDELINES FOR RESIDENTIAL POOLS

**IMPORTANT NOTES:**

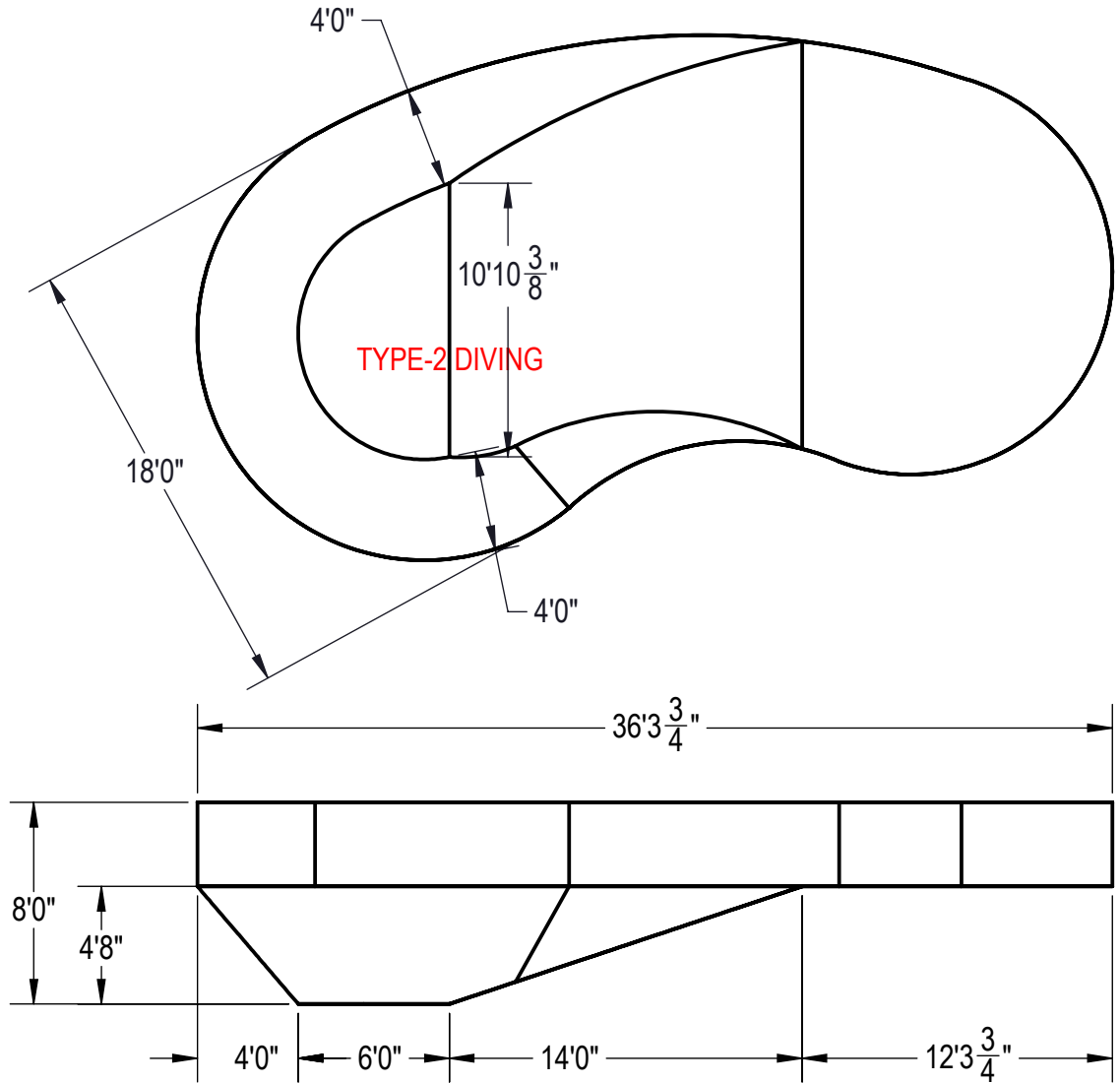
THIS DOCUMENT IS FOR ILLUSTRATIVE PURPOSES ONLY. THE DEALER OR CONTRACTOR WHO SELLS OR INSTALLS YOUR POOL IS AN INDEPENDENT CONTRACTOR AND IS NOT AN AGENT OF THE MANUFACTURER. THE CONSTRUCTION METHODS ILLUSTRATED HERE ARE SUGGESTIONS AND APPLY ONLY TO NORMAL GROUND CONDITIONS. THERE MAY BE ADDITIONAL PRECAUTIONS AND/OR METHODS OF CONSTRUCTION. PROPER INSTALLATION IS THE RESPONSIBILITY OF THE DEALER/BUILDER/CONTRACTOR.

ITEM	FILE NAME	DESCRIPTION	CUSTOMER DRAWING #	VENDOR PART #	QTY
1	BOLT, PACK	BOLT, FLANGE, 3/8-16 X 1", PACK (50)	HPS1916	HPS1916	4
2	SBRACE	BRACE, FOLD OVER WITH TURNBUCKLE, STEEL, HPSFOB	HPSFOB	HPSFOB	14
3	PANEL, RR	PANEL, 10' REVERSE RADIUS, 3'-6" LONG, 600 SERIES	HPSCRR4	00005887	1
4	PANEL, RR	PANEL, 10' REVERSE RADIUS, 8' LONG, 600 SERIES	HPS10RR8	00000991	1
5	PANEL, RADIUS	PANEL, 32' RADIUS, 5' LONG, 600 SERIES	HPSPD32R5	00001342	1
6	PANEL, RADIUS	PANEL, 32' RADIUS, 7' LONG, 600 SERIES	HPSCR8	00002381	2
7	PANEL, RADIUS	PANEL, 32' RADIUS, 8' LONG, 600 SERIES	HPSPD32R8	00001106	1
8	PANEL, RADIUS	PANEL, 8' RADIUS, 4' LONG, INLET, 600 SERIES	HPSCR5	00003327	1
9	PANEL, RADIUS	PANEL, 8' RADIUS, 5'-6" LONG, INLET, 600 SERIES	HPSCR6	00007246	1
10	PANEL, RADIUS	PANEL, 8' RADIUS, 8' LONG, 1084, 600 SERIES	HPSPD8R884	00000271	1
11	PANEL, RADIUS	PANEL, 9' RADIUS, 6' LONG, 600 SERIES	HPSPD9R6	00000355	1
12	PANEL, RADIUS	PANEL, 9' RADIUS, 8' LONG, 1084, INLET, 600 SERIES	HPS9R884I	00003874	1
13	PANEL, RADIUS	PANEL, 9' RADIUS, 8' LONG, 600 SERIES	HPSPD9R8	00000395	1
14	PANEL, RADIUS	PANEL, 9' RADIUS, 8' LONG, LIGHT, 600 SERIES	HPSPD9R8L	00000398	1
15	HS106N	STEP, 8' RADIUS, 3 TREAD	HS106N	HS106N	1

ENGINEERING DRAWING NUMBER: <b>00017162</b>	WEIGHT: "SW- Mas@00002000 CSVDPR1" Volume@00002 000-SEDDORT Mach3	<b>UNLESS OTHERWISE SPECIFIED</b> DIMENSIONS ARE IN INCHES TOLERANCES DECIMALS: X ± .1 XX ± .01 XXX ± .001 XXXX ± .0005  ANGULAR: X ± 0.5 THIRD ANGLE PROJECTION	DESIGNED BY: <b>BUMPHREY</b>	CREATION DATE: <b>4/3/2014</b>	<b>HYDRA POOLS</b>		
	HEAT TREAT: NA		FINISH: NA	TEXTURE: NA		DETAILED BY: <b>BUMPHREY</b>	DETAILED DATE: <b>1/9/2018</b>
	MATERIAL: "SW-Material@00002000.SLDPR1"			LAST REVISED BY: <b>bumphrey</b>		LAST REVISED DATE: <b>1/9/2018</b>	
	TITLE: <b>LAYOUT, 18' X 36', KIDNEY, LEFT, 8' DEEP, HS106N, LIGHT, 2-1084, 3-INLETS, 600 SERIES</b>						
PART NUMBER: <b>00017162</b>					SCALE: 1:192	SIZE: <b>A</b>	



**Area: 563.59ft ^2**  
**Perimeter: 94.00ft**  
**Volume = 21102 US gallons**



**NOTES:**

- THESE ARE FINISHED DIMENSIONS READY FOR THE LINER.
- DIMENSIONS ARE FROM INSIDE POOL PANELS.
- ROPE AND FLOAT ASSEMBLY SHOULD BE INSTALLED IN ACCORDANCE WITH CURRENT ANSI/ASPS/ICC REGULATIONS
- HYDRA LINER TRACK FOR STEPS IS INSTALLED WITH THE BARB FACING THE RISER WALL ON THE STEP.

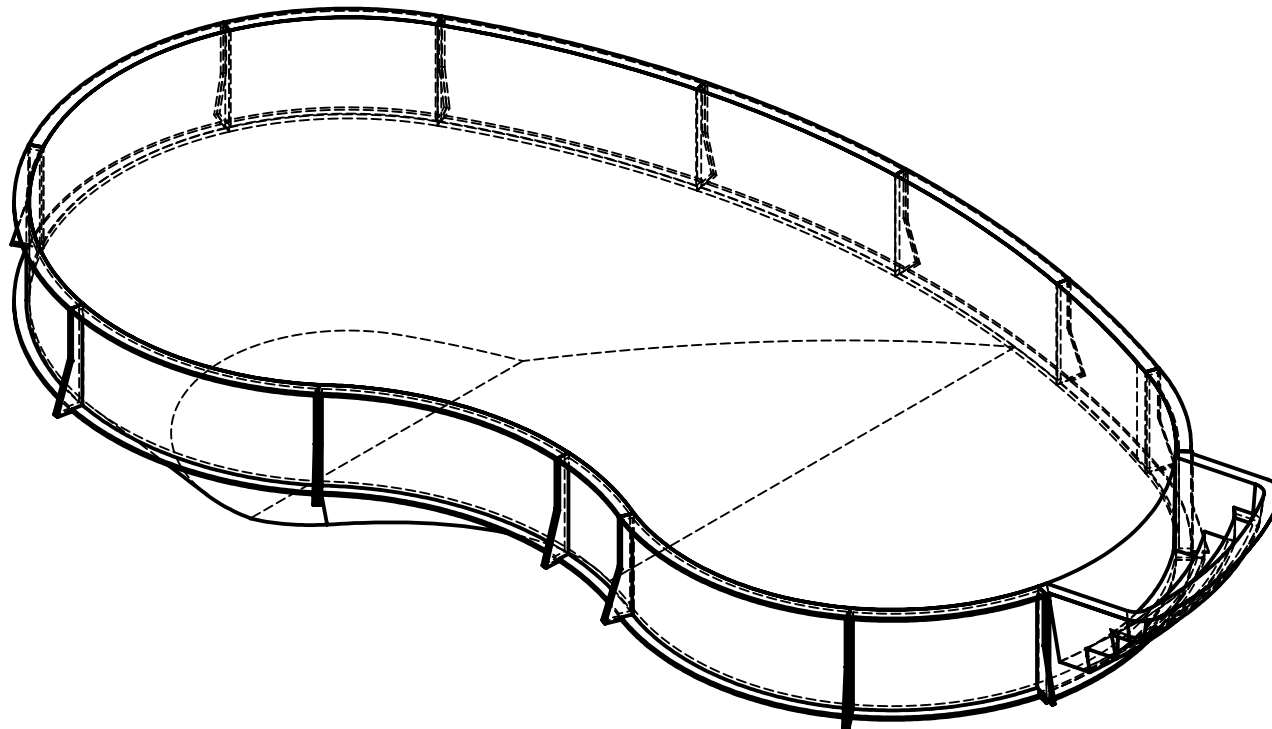
**EXCAVATION NOTES:**

- ROUGH EXCAVATION SHOULD BE 2" DEEPER IN EACH INSTANCE.
- SOIL TO HAVE MINIMUM BEARING CAPACITY OF 1500 PSF.
- LOCATE TOP OF POOL AT LEAST 6" ABOVE THE SURROUNDING LAND ELEVATION.
- SEE "OVER DIG DETAIL" FOR EXCAVATION AROUND POOL.
- FILL VOIDS UNDER BASE OF PANELS AND TAMP WELL.
- BACK FILL WITH NON-EXPANSIVE MATERIAL.
- FOLLOW ALL CURRENT ANSI / APSP / ICC GUIDELINES FOR RESIDENTIAL POOLS

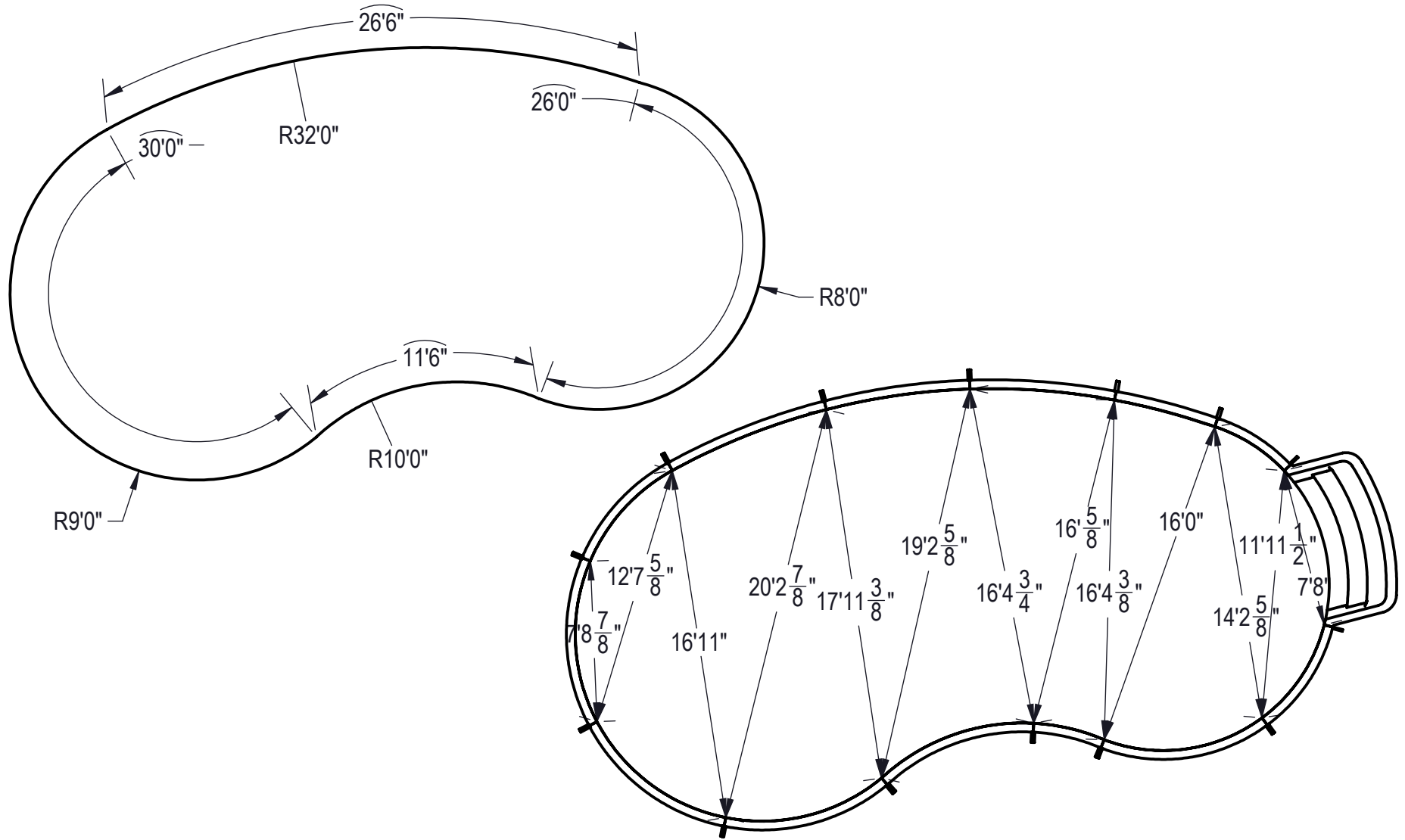
**IMPORTANT NOTES:**

THIS DOCUMENT IS FOR ILLUSTRATIVE PURPOSES ONLY. THE DEALER OR CONTRACTOR WHO SELLS OR INSTALLS YOUR POOL IS AN INDEPENDENT CONTRACTOR AND IS NOT AN AGENT OF THE MANUFACTURER. THE CONSTRUCTION METHODS ILLUSTRATED HERE ARE SUGGESTIONS AND APPLY ONLY TO NORMAL GROUND CONDITIONS. THERE MAY BE ADDITIONAL PRECAUTIONS AND/OR METHODS OF CONSTRUCTION. PROPER INSTALLATION IS THE RESPONSIBILITY OF THE DEALER/BUILDER/CONTRACTOR.

ENGINEERING DRAWING NUMBER: <b>00017162</b>	WEIGHT: lbs	<b>UNLESS OTHERWISE SPECIFIED</b> DIMENSIONS ARE IN INCHES TOLERANCES DECIMALS: X ± .1 XX ± .01 XXX ± .001 XXXX ± .0005  ANGULAR: X ± 0.5 THIRD ANGLE PROJECTION	DESIGNED BY: <b>BUMPHREY</b>	CREATION DATE: 4/3/2014	<b>HYDRA POOLS</b>
	VOLUME: Inch <sup>3</sup>		DETAILED BY: <b>BUMPHREY</b>	DETAILED DATE: 1/9/2018	
	COLOR:		LAST REVISED BY: <b>bumphrey</b>	LAST REVISED DATE: 1/9/2018	TITLE: LAYOUT, 18' X 36', KIDNEY, LEFT, 8" DEEP, HS106N, LIGHT, 2-1084, 3-INLETS, 600 SERIES
	HEAT TREAT: NA		MATERIAL:	PART NUMBER: <b>00017162</b>	
FINISH: NA				SHEET: 2 OF 10	
TEXTURE: NA					



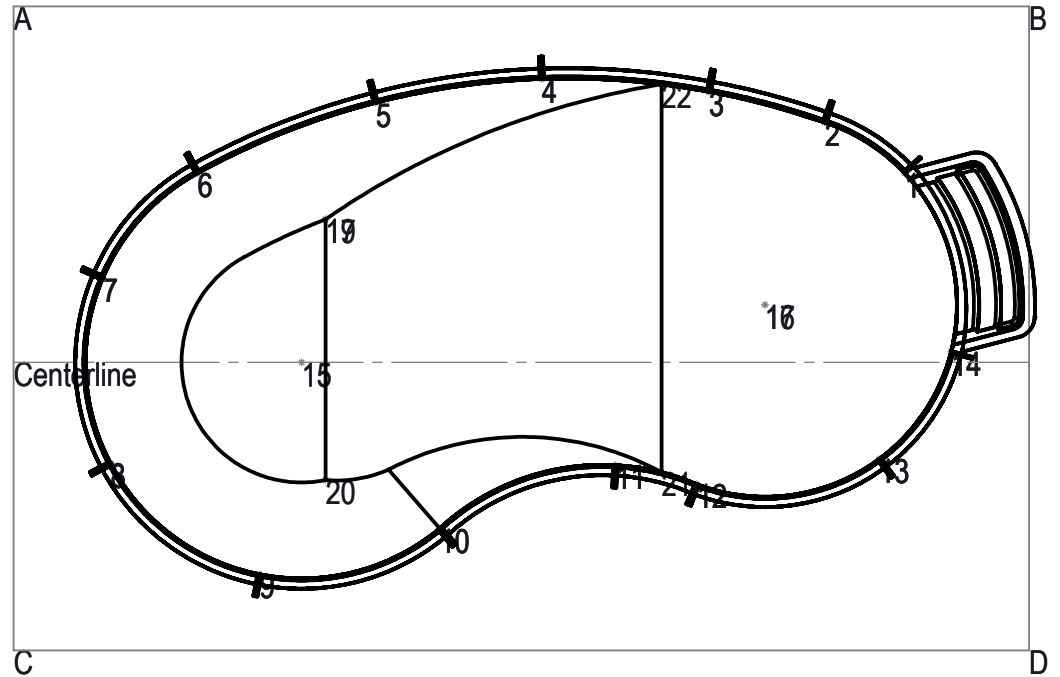
ENGINEERING DRAWING NUMBER: <b>00017162</b>	WEIGHT: "SW- Mas@00002000 CSVDPR1" Volume@00002 000-6600RT Mch <sup>3</sup>	<b>UNLESS OTHERWISE SPECIFIED</b> DIMENSIONS ARE IN INCHES TOLERANCES DECIMALS: X ± .1 XX ± .01 XXX ± .001 XXXX ± .0005  ANGULAR: X ± 0.5 THIRD ANGLE PROJECTION	DESIGNED BY: <b>BUMPHREY</b>	CREATION DATE: <b>4/3/2014</b>	<b>HYDRA POOLS</b>		
	HEAT TREAT: NA		FINISH: NA	TEXTURE: NA			DETAILED BY: <b>BUMPHREY</b>
	LAST REVISED BY: <b>bumphrey</b>		LAST REVISED DATE: <b>1/9/2018</b>	TITLE: LAYOUT, 18' X 36', KIDNEY, LEFT, 8" DEEP, HS106N, LIGHT, 2-1084, 3-INLETS, 600 SERIES			
				MATERIAL: "SW-Material@00002000.SLDPR1"	PART NUMBER: <b>00017162</b>		SCALE: 1:65
					SHEET: 3 OF 10		



ENGINEERING DRAWING NUMBER: <b>00017162</b>	WEIGHT:	<b>UNLESS OTHERWISE SPECIFIED</b> DIMENSIONS ARE IN INCHES TOLERANCES DECIMALS: X ± .1 XX ± .01 XXX ± .001 XXXX ± .0005  ANGULAR: X ± 0.5 THIRD ANGLE PROJECTION 	DESIGNED BY:	CREATION DATE:	<b>HYDRA POOLS</b>
	lbs		BUMPHREY	4/3/2014	
	VOLUME:		DETAILED BY:	DETAILED DATE:	
	Inch <sup>3</sup>		BUMPHREY	1/9/2018	TITLE: LAYOUT, 18' X 36', KIDNEY, LEFT, 8" DEEP, HS106N, LIGHT, 2-1084, 3-INLETS, 600 SERIES
	COLOR:		LAST REVISED BY:	LAST REVISED DATE:	
	NA		bumphrey	1/9/2018	
HEAT TREAT:	MATERIAL:	PART NUMBER:	SCALE:	SIZE:	
NA		<b>00017162</b>	1:84	<b>A</b>	
FINISH:			SHEET:		
NA			4 OF 10		
TEXTURE:					
NA					

Centerline	
1	7' 10-1/2"
2	10' 0"
3	11' 3-3/8"
4	11' 9-3/4"
5	10' 9-7/8"
6	7' 10-3/4"
7	3' 6-1/4"
8	4' 2-1/2"
9	8' 10"
10	6' 11"
11	4' 3-3/8"
12	5' 0-7/8"
13	4' 0-3/8"
14	0' 5-1/2"
15	0' 0"
16	14' 3-1/4"
17	2' 4-7/8"
18	20' 2"
19	5' 11-5/8"
20	4' 10-3/4"
21	4' 7"
22	11' 7-1/8"
1	7' 10-1/2"
2	10' 0"
3	11' 3-3/8"
4	11' 9-3/4"
5	10' 9-7/8"
6	7' 10-3/4"
7	3' 6-1/4"
8	4' 2-1/2"
9	8' 10"
10	6' 11"
11	4' 3-3/8"
12	5' 0-7/8"
13	4' 0-3/8"
14	0' 5-1/2"
15	14' 3-1/4"
16	2' 4-7/8"
17	5' 11-5/8"

A	B	C	D	
1	37' 9-1/2"	8' 8"	42' 1-1/2"	20' 6-3/8"
2	34' 1-3/4"	9' 9-3/8"	40' 4"	23' 7"
3	29' 2-3/8"	13' 9-1/2"	37' 2-1/8"	26' 10"
4	22' 2-5/8"	20' 6-1/4"	32' 5-1/8"	31' 3-1/2"
5	15' 7-1/2"	27' 6-1/8"	27' 4-3/8"	35' 6-1/4"
6	10' 4-1/8"	35' 3-7/8"	21' 3-7/8"	39' 11-3/8"
7	11' 10-7/8"	40' 2-5/8"	15' 11-5/8"	41' 7-1/8"
8	19' 5-5/8"	42' 8-7/8"	8' 9-3/8"	39' 0-5/8"
9	25' 9-1/2"	39' 10-1/8"	10' 8-3/4"	32' 2-5/8"
10	28' 1"	32' 9-3/4"	18' 5-5/8"	25' 0-7/8"
11	31' 6-1/2"	25' 8-7/8"	26' 2-7/8"	18' 10-1/2"
12	34' 8-7/8"	24' 3"	29' 3-5/8"	15' 5-5/8"
13	40' 8-1/2"	19' 10-3/8"	36' 11-1/4"	10' 1-1/2"
14	41' 7-5/8"	14' 8-7/8"	41' 0-1/8"	12' 10-3/8"
15	19' 1"	33' 9"	16' 11-5/8"	32' 7-1/4"
16	38' 0-3/4"	34' 1-1/4"	24' 7-5/8"	17' 11"
17	33' 8-1/4"	16' 7-1/4"	34' 5-1/2"	18' 1-1/2"
18	41' 11"	39' 11-3/8"	24' 5-5/8"	20' 10-7/8"
19	15' 8-7/8"	30' 7-1/2"	22' 2-1/8"	34' 4-1/2"
20	23' 7-5/8"	35' 4"	14' 9-3/4"	30' 1-7/8"
21	33' 3"	24' 8-5/8"	28' 0"	17' 0-1/8"
22	27' 2-3/8"	15' 7-3/4"	35' 10-1/4"	28' 1-1/2"
1	37' 9-1/2"	8' 8"	42' 1-1/2"	20' 6-3/8"
2	34' 1-3/4"	9' 9-3/8"	40' 4"	23' 7"
3	29' 2-3/8"	13' 9-1/2"	37' 2-1/8"	26' 10"
4	22' 2-5/8"	20' 6-1/4"	32' 5-1/8"	31' 3-1/2"
5	15' 7-1/2"	27' 6-1/8"	27' 4-3/8"	35' 6-1/4"
6	10' 4-1/8"	35' 3-7/8"	21' 3-7/8"	39' 11-3/8"
7	11' 10-7/8"	40' 2-5/8"	15' 11-5/8"	41' 7-1/8"
8	19' 5-5/8"	42' 8-7/8"	8' 9-3/8"	39' 0-5/8"
9	25' 9-1/2"	39' 10-1/8"	10' 8-3/4"	32' 2-5/8"
10	28' 1"	32' 9-3/4"	18' 5-5/8"	25' 0-7/8"
11	31' 6-1/2"	25' 8-7/8"	26' 2-7/8"	18' 10-1/2"
12	34' 8-7/8"	24' 3"	29' 3-5/8"	15' 5-5/8"
13	40' 8-1/2"	19' 10-3/8"	36' 11-1/4"	10' 1-1/2"
14	41' 7-5/8"	14' 8-7/8"	41' 0-1/8"	12' 10-3/8"
15	38' 0-3/4"	34' 1-1/4"	24' 7-5/8"	17' 11"
16	33' 8-1/4"	16' 7-1/4"	34' 5-1/2"	18' 1-1/2"
17	15' 8-7/8"	30' 7-1/2"	22' 2-1/8"	34' 4-1/2"
A	-	42' 3-3/4"	26' 10"	50' 1-1/4"

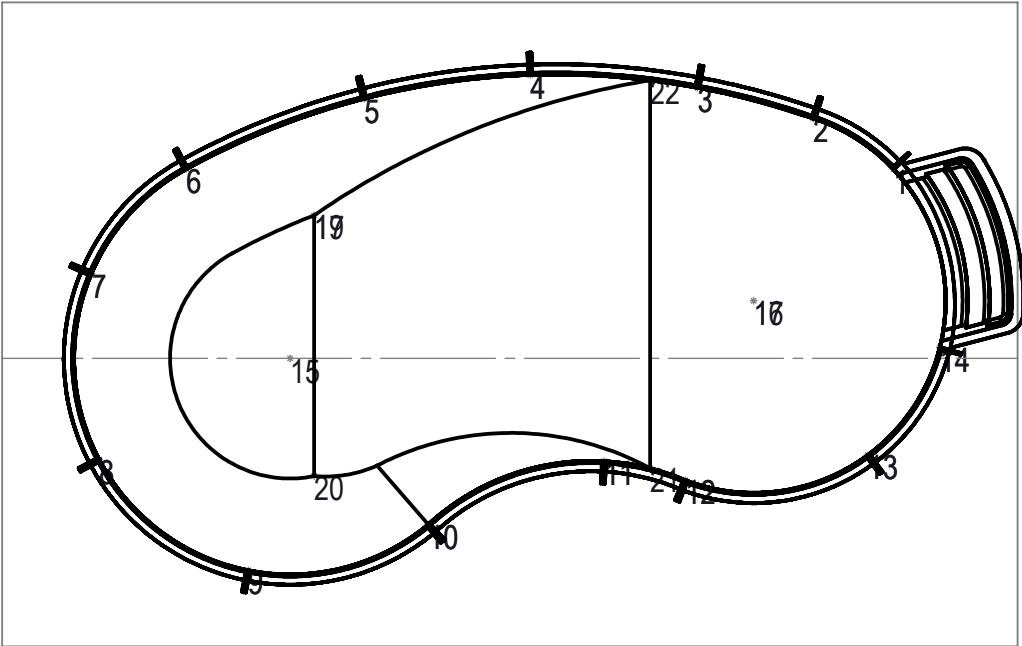


\*16

\*18

ENGINEERING DRAWING NUMBER <b>00017162</b>	WEIGHT: "SW- Material@00002000.SLDPR1" CSVDPR1" Volume@00002 000.SLDPR1" inch <sup>3</sup>	UNLESS OTHERWISE SPECIFIED DIMENSIONS ARE IN INCHES TOLERANCES DECIMALS: X ± .1 XX ± .01 XXX ± .001 XXXX ± .0005  ANGULAR: X ± 0.5 THIRD ANGLE PROJECTION	DESIGNED BY: <b>BUMPHREY</b>	CREATION DATE: 4/3/2014	<b>HYDRA POOLS</b>
	HEAT TREAT: NA		DETAILED BY: <b>BUMPHREY</b>	DETAILED DATE: 1/9/2018	
	FINISH: NA		LAST REVISED BY: <b>bumphrey</b>	LAST REVISED DATE: 1/9/2018	
	TEXTURE: NA		MATERIAL: "SW-Material@00002000.SLDPR1"	TITLE: LAYOUT, 18' X 36', KIDNEY, LEFT, 8" DEEP, HS106N, LIGHT, 2-1084, 3-INLETS, 600 SERIES	
			PART NUMBER: <b>00017162</b>	SCALE: 1:96 SHEET: 5 OF 10	SIZE: <b>A</b>

Diagonal	3 to 4	6' 11-7/8"	10 to 16	10' 0"	12 to 2	15' 12"	
1 to 2	3' 11-1/2"	3 to 5	13' 10-5/8"	10 to 17	16' 5-1/2"	12 to 3	16' 4-3/8"
1 to 3	8' 10-1/8"	3 to 6	21' 6-7/8"	10 to 18	14' 3-1/4"	12 to 4	18' 1"
1 to 4	15' 7-5/8"	3 to 7	26' 5-1/8"	10 to 19	13' 8-3/4"	12 to 5	20' 9-3/8"
1 to 5	22' 2-7/8"	3 to 8	29' 4-1/4"	10 to 20	5' 2"	12 to 6	24' 6-1/8"
1 to 6	29' 5-5/8"	3 to 9	27' 5-3/4"	10 to 21	9' 6-1/2"	12 to 7	26' 2-1/2"
1 to 7	33' 8-1/2"	3 to 4	6' 11-7/8"	10 to 22	20' 8-3/8"	12 to 8	24' 5-3/8"
1 to 8	35' 2-7/8"	3 to 5	13' 10-5/8"	10 to 2	23' 3-7/8"	12 to 9	18' 7-1/4"
1 to 9	31' 7-7/8"	3 to 6	21' 6-7/8"	10 to 3	21' 4-5/8"	12 to 13	7' 8"
1 to 10	24' 4-3/4"	3 to 7	26' 5-1/8"	10 to 4	19' 2-5/8"	12 to 14	11' 11-1/2"
1 to 11	17' 1-1/2"	3 to 8	29' 4-1/4"	10 to 5	17' 11-3/8"	12 to 15	17' 2-7/8"
1 to 12	15' 7"	3 to 9	27' 5-3/4"	10 to 6	17' 11"	12 to 16	10' 0"
1 to 13	11' 11-3/8"	4 to 5	6' 11-7/8"	10 to 7	17' 6"	12 to 17	8' 0"
1 to 14	7' 8"	4 to 6	14' 10-3/8"	10 to 8	13' 11-3/4"	12 to 18	16' 0-3/8"
1 to 15	26' 4-1/4"	4 to 7	20' 1"	10 to 9	7' 8-7/8"	12 to 19	19' 0-1/8"
1 to 16	25' 5-3/4"	4 to 8	24' 0-7/8"	10 to 11	7' 9-1/2"	12 to 20	15' 5-5/8"
1 to 17	8' 0"	4 to 9	23' 9-1/8"	10 to 12	10' 10-1/2"	12 to 21	1' 6-5/8"
1 to 18	31' 4-1/2"	4 to 5	6' 11-7/8"	10 to 13	18' 6-1/2"	12 to 22	16' 8-3/4"
1 to 19	24' 2-5/8"	4 to 6	14' 10-3/8"	10 to 14	22' 6-5/8"	12 to 2	15' 12"
1 to 20	27' 3-3/4"	4 to 7	20' 1"	10 to 15	10' 0"	12 to 3	16' 4-3/8"
1 to 21	16' 0-3/4"	4 to 8	24' 0-7/8"	10 to 16	16' 5-1/2"	12 to 4	18' 1"
1 to 22	10' 9-5/8"	4 to 9	23' 9-1/8"	10 to 17	13' 8-3/4"	12 to 5	20' 9-3/8"
1 to 2	3' 11-1/2"	5 to 6	7' 11-7/8"	11 to 2	16' 8-7/8"	12 to 6	24' 6-1/8"
1 to 3	8' 10-1/8"	5 to 7	13' 6-1/4"	11 to 3	16' 0-5/8"	12 to 7	26' 2-1/2"
1 to 4	15' 7-5/8"	5 to 8	18' 7-7/8"	11 to 4	16' 4-3/4"	12 to 8	24' 5-3/8"
1 to 5	22' 2-7/8"	5 to 9	20' 2-7/8"	11 to 5	18' 1-3/8"	12 to 9	18' 7-1/4"
1 to 6	29' 5-5/8"	5 to 6	7' 11-7/8"	11 to 6	21' 3"	12 to 13	7' 8"
1 to 7	33' 8-1/2"	5 to 7	13' 6-1/4"	11 to 7	22' 9"	12 to 14	11' 11-1/2"
1 to 8	35' 2-7/8"	5 to 8	18' 7-7/8"	11 to 8	21' 0-1/2"	12 to 15	10' 0"
1 to 9	31' 7-7/8"	5 to 9	20' 2-7/8"	11 to 9	15' 6-1/8"	12 to 16	8' 0"
1 to 10	24' 4-3/4"	6 to 7	5' 10-5/8"	11 to 12	3' 5-3/4"	12 to 17	19' 0-1/8"
1 to 11	17' 1-1/2"	6 to 8	12' 7-5/8"	11 to 13	10' 11-7/8"	13 to 2	14' 2-1/2"
1 to 12	15' 7"	6 to 9	16' 11"	11 to 14	14' 9-1/4"	13 to 3	16' 10-1/2"
1 to 13	11' 11-3/8"	6 to 7	5' 10-5/8"	11 to 15	13' 9-1/8"	13 to 4	21' 2-1/8"
1 to 14	7' 8"	6 to 8	12' 7-5/8"	11 to 16	10' 0"	13 to 5	25' 8-3/8"
1 to 15	25' 5-3/4"	6 to 9	16' 11"	11 to 17	9' 1-5/8"	13 to 6	30' 9-5/8"
1 to 16	8' 0"	7 to 8	7' 8-7/8"	11 to 18	16' 0-1/8"	13 to 7	33' 2-5/8"
1 to 17	24' 2-5/8"	7 to 9	13' 11-3/4"	11 to 19	15' 10-1/8"	13 to 8	32' 0-3/8"
2 to 3	4' 12"	7 to 8	7' 8-7/8"	11 to 20	12' 1-1/8"	13 to 9	26' 3-1/8"
2 to 4	11' 11-1/4"	7 to 9	13' 11-3/4"	11 to 21	1' 11-1/4"	13 to 14	5' 4-3/4"
2 to 5	18' 8-3/4"	8 to 9	7' 8-7/8"	11 to 22	15' 11-7/8"	13 to 15	24' 4-7/8"
2 to 6	26' 2-5/8"	8 to 9	7' 8-7/8"	11 to 2	16' 8-7/8"	13 to 16	15' 5-1/8"
2 to 7	30' 9-3/8"	10 to 2	23' 3-7/8"	11 to 3	16' 0-5/8"	13 to 17	8' 0"
2 to 8	32' 11-3/4"	10 to 3	21' 4-5/8"	11 to 4	16' 4-3/4"	13 to 18	20' 8-3/4"
2 to 9	30' 1-7/8"	10 to 4	19' 2-5/8"	11 to 5	18' 1-3/8"	13 to 19	25' 1-3/4"
2 to 20	25' 7-1/8"	10 to 5	17' 11-3/8"	11 to 6	21' 3"	13 to 20	23' 1"
2 to 21	16' 1-1/8"	10 to 6	17' 11"	11 to 7	22' 9"	13 to 21	9' 1"
2 to 22	6' 11-7/8"	10 to 7	17' 6"	11 to 8	21' 0-1/2"	13 to 22	18' 0-3/4"
2 to 3	4' 12"	10 to 8	13' 11-3/4"	11 to 9	15' 6-1/8"	13 to 2	14' 2-1/2"
2 to 4	11' 11-1/4"	10 to 9	7' 8-7/8"	11 to 12	3' 5-3/4"	13 to 3	16' 10-1/2"
2 to 5	18' 8-3/4"	10 to 11	7' 9-1/2"	11 to 13	10' 11-7/8"	13 to 4	21' 2-1/8"
2 to 6	26' 2-5/8"	10 to 12	10' 10-1/2"	11 to 14	14' 9-1/4"	13 to 5	25' 8-3/8"
2 to 7	30' 9-3/8"	10 to 13	18' 6-1/2"	11 to 15	10' 0"	13 to 6	30' 9-5/8"
2 to 8	32' 11-3/4"	10 to 14	22' 6-5/8"	11 to 16	9' 1-5/8"	13 to 7	33' 2-5/8"
2 to 9	30' 1-7/8"	10 to 15	9' 0"	11 to 17	15' 10-1/8"	13 to 8	32' 0-3/8"

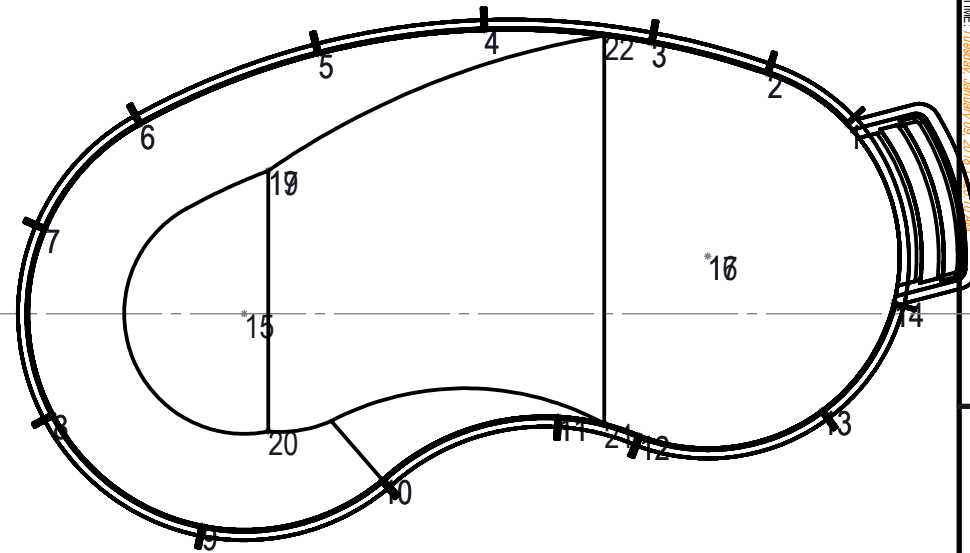


16

18

ENGINEERING DRAWING NUMBER <b>00017162</b>	WEIGHT: "SW- Material@00002000.SLDPRP" CSVDPRP Wsum@00002 000.SLDPRP Mach3	<b>UNLESS OTHERWISE SPECIFIED</b> DIMENSIONS ARE IN INCHES TOLERANCES DECIMALS: X ± .1 XX ± .01 XXX ± .001 XXXX ± .0005  ANGULAR: X ± 0.5 THIRD ANGLE PROJECTION 	DESIGNED BY: BUMPHREY	CREATION DATE: 4/3/2014	<b>HYDRA POOLS</b>		
	HEAT TREAT: NA		FINISH: NA	TEXTURE: NA			DETAILED BY: BUMPHREY
	LAST REVISED BY: bumphrey		MATERIAL: "SW-Material@00002000.SLDPRP"	LAST REVISED DATE: 1/9/2018	TITLE: LAYOUT, 18' X 36', KIDNEY, LEFT, 8" DEEP, HS106N, LIGHT, 2-1084, 3-INLETS, 600 SERIES		
	PART NUMBER: <b>00017162</b>			SCALE: 1:96	SIZE: A	SHEET: 6 OF 10	

13 to 9	26' 3-1/8"	15 to 16	19' 5-1/2"	18 to 20	18' 3-3/8"	21 to 4	17' 1-5/8"	1 to 16	8' 0"
13 to 14	5' 4-3/4"	15 to 17	6' 0-5/8"	18 to 21	16' 0-7/8"	21 to 5	19' 5-5/8"	1 to 17	24' 2-5/8"
13 to 15	15' 5-1/8"	16 to 2	25' 11-3/4"	18 to 22	32' 0"	21 to 6	23' 0"	2 to 3	4' 12"
13 to 16	8' 0"	16 to 3	25' 11-1/4"	18 to 2	32' 0-1/4"	21 to 7	24' 7-3/4"	2 to 4	11' 11-1/4"
13 to 17	25' 1-3/4"	16 to 4	26' 2-1/2"	18 to 3	32' 0"	21 to 8	22' 11-1/2"	2 to 5	18' 8-3/4"
14 to 2	10' 10-7/8"	16 to 5	26' 9-3/4"	18 to 4	32' 0"	21 to 9	17' 3-3/8"	2 to 6	26' 2-5/8"
14 to 3	14' 9-5/8"	16 to 6	27' 10-1/8"	18 to 5	32' 0"	22 to 3	2' 0"	2 to 7	30' 9-3/8"
14 to 4	20' 6"	16 to 7	27' 4-5/8"	18 to 6	32' 0"	22 to 4	4' 11-7/8"	2 to 8	32' 11-3/4"
14 to 5	26' 1-1/2"	16 to 8	22' 10"	18 to 7	30' 7"	22 to 5	11' 11-1/8"	2 to 9	30' 1-7/8"
14 to 6	32' 3-1/4"	16 to 9	15' 3-3/8"	18 to 8	24' 9-7/8"	22 to 6	19' 8-1/8"	2 to 20	25' 7-1/8"
14 to 7	35' 5-3/4"	16 to 17	17' 12"	18 to 9	17' 1-1/4"	22 to 7	24' 7-5/8"	2 to 21	16' 1-1/8"
14 to 8	35' 4"	16 to 18	6' 0-7/8"	19 to 2	21' 2-3/8"	22 to 8	27' 10-3/8"	2 to 22	6' 11-7/8"
14 to 9	30' 3-1/4"	16 to 19	23' 3-1/2"	19 to 3	16' 10-1/8"	22 to 9	26' 4-7/8"	2 to 3	4' 12"
14 to 15	27' 0-7/8"	16 to 20	14' 10-3/8"	19 to 4	10' 9"	22 to 3	2' 0"	2 to 4	11' 11-1/4"
14 to 16	20' 8-1/4"	16 to 21	10' 0"	19 to 5	5' 3-1/2"	22 to 4	4' 11-7/8"	2 to 5	18' 8-3/4"
14 to 17	8' 0"	16 to 22	25' 11-3/4"	19 to 6	5' 8"	22 to 5	11' 11-1/8"	2 to 6	26' 2-5/8"
14 to 18	26' 1-1/4"	16 to 2	25' 11-3/4"	19 to 7	9' 7-1/8"	22 to 6	19' 8-1/8"	2 to 7	30' 9-3/8"
14 to 19	26' 7-3/4"	16 to 3	25' 11-1/4"	19 to 8	13' 6-5/8"	22 to 7	24' 7-5/8"	2 to 8	32' 11-3/4"
14 to 20	26' 7-3/8"	16 to 4	26' 2-1/2"	19 to 9	15' 0-1/2"	22 to 8	27' 10-3/8"	2 to 9	30' 1-7/8"
14 to 21	13' 0-7/8"	16 to 5	26' 9-3/4"	19 to 20	10' 10-3/8"	22 to 9	26' 4-7/8"	3 to 4	6' 11-7/8"
14 to 22	16' 5-1/8"	16 to 6	27' 10-1/8"	19 to 21	17' 6-1/4"	1 to 2	3' 11-1/2"	3 to 5	13' 10-5/8"
14 to 2	10' 10-7/8"	16 to 7	27' 4-5/8"	19 to 22	15' 1"	1 to 3	8' 10-1/8"	3 to 6	21' 6-7/8"
14 to 3	14' 9-5/8"	16 to 8	22' 10"	19 to 2	21' 2-3/8"	1 to 4	15' 7-5/8"	3 to 7	26' 5-1/8"
14 to 4	20' 6"	16 to 9	15' 3-3/8"	19 to 3	16' 10-1/8"	1 to 5	22' 2-7/8"	3 to 8	29' 4-1/4"
14 to 5	26' 1-1/2"	16 to 17	23' 3-1/2"	19 to 4	10' 9"	1 to 6	29' 5-5/8"	3 to 9	27' 5-3/4"
14 to 6	32' 3-1/4"	17 to 2	8' 0"	19 to 5	5' 3-1/2"	1 to 7	33' 8-1/2"	3 to 4	6' 11-7/8"
14 to 7	35' 5-3/4"	17 to 3	9' 2-1/8"	19 to 6	5' 8"	1 to 8	35' 2-7/8"	3 to 5	13' 10-5/8"
14 to 8	35' 4"	17 to 4	13' 2-3/4"	19 to 7	9' 7-1/8"	1 to 9	31' 7-7/8"	3 to 6	21' 6-7/8"
14 to 9	30' 3-1/4"	17 to 5	18' 3-1/4"	19 to 8	13' 6-5/8"	1 to 10	24' 4-3/4"	3 to 7	26' 5-1/8"
14 to 15	20' 8-1/4"	17 to 6	24' 3-1/4"	19 to 9	15' 0-1/2"	1 to 11	17' 1-1/2"	3 to 8	29' 4-1/4"
14 to 16	8' 0"	17 to 7	27' 7-3/8"	20 to 3	22' 8-7/8"	1 to 12	15' 7"	3 to 9	27' 5-3/4"
14 to 17	26' 7-3/4"	17 to 8	28' 0-5/8"	20 to 4	18' 11-7/8"	1 to 13	11' 11-3/8"	4 to 5	6' 11-7/8"
15 to 2	23' 11-7/8"	17 to 9	23' 10-3/8"	20 to 5	15' 10-3/8"	1 to 14	7' 8"	4 to 6	14' 10-3/8"
15 to 3	20' 4-5/8"	17 to 18	24' 0-3/8"	20 to 6	13' 10-1/4"	1 to 15	26' 4-1/4"	4 to 7	20' 1"
15 to 4	15' 5-7/8"	17 to 19	18' 7-7/8"	20 to 7	12' 6-3/8"	1 to 16	25' 5-3/4"	4 to 8	24' 0-7/8"
15 to 5	11' 3-1/8"	17 to 20	19' 8-1/2"	20 to 8	8' 11-3/4"	1 to 17	8' 0"	4 to 9	23' 9-1/8"
15 to 6	9' 0"	17 to 21	8' 2-1/2"	20 to 9	4' 9-1/2"	1 to 18	31' 4-1/2"	4 to 5	6' 11-7/8"
15 to 7	9' 0"	17 to 22	10' 1-3/4"	20 to 21	14' 0"	1 to 19	24' 2-5/8"	4 to 6	14' 10-3/8"
15 to 8	9' 0"	17 to 2	8' 0"	20 to 22	21' 7-5/8"	1 to 20	27' 3-3/4"	4 to 7	20' 1"
15 to 9	9' 0"	17 to 3	9' 2-1/8"	20 to 3	22' 8-7/8"	1 to 21	16' 0-3/4"	4 to 8	24' 0-7/8"
15 to 16	18' 11-7/8"	17 to 4	13' 2-3/4"	20 to 4	18' 11-7/8"	1 to 22	10' 9-5/8"	4 to 9	23' 9-1/8"
15 to 17	19' 5-1/2"	17 to 5	18' 3-1/4"	20 to 5	15' 10-3/8"	1 to 2	3' 11-1/2"	5 to 6	7' 11-7/8"
15 to 18	23' 0"	17 to 6	24' 3-1/4"	20 to 6	13' 10-1/4"	1 to 3	8' 10-1/8"	5 to 7	13' 6-1/4"
15 to 19	6' 0-5/8"	17 to 7	27' 7-3/8"	20 to 7	12' 6-3/8"	1 to 4	15' 7-5/8"	5 to 8	18' 7-7/8"
15 to 20	5' 0"	17 to 8	28' 0-5/8"	20 to 8	8' 11-3/4"	1 to 5	22' 2-7/8"	5 to 9	20' 2-7/8"
15 to 21	15' 8-1/4"	17 to 9	23' 10-3/8"	20 to 9	4' 9-1/2"	1 to 6	29' 5-5/8"	5 to 6	7' 11-7/8"
15 to 22	18' 11-1/2"	18 to 2	32' 0-1/4"	21 to 3	15' 11-3/4"	1 to 7	33' 8-1/2"	5 to 7	13' 6-1/4"
15 to 2	23' 11-7/8"	18 to 3	32' 0"	21 to 4	17' 1-5/8"	1 to 8	35' 2-7/8"	5 to 8	18' 7-7/8"
15 to 3	20' 4-5/8"	18 to 4	32' 0"	21 to 5	19' 5-5/8"	1 to 9	31' 7-7/8"	5 to 9	20' 2-7/8"
15 to 4	15' 5-7/8"	18 to 5	32' 0"	21 to 6	23' 0"	1 to 10	24' 4-3/4"	6 to 7	5' 10-5/8"
15 to 5	11' 3-1/8"	18 to 6	32' 0"	21 to 7	24' 7-3/4"	1 to 11	17' 1-1/2"	6 to 8	12' 7-5/8"
15 to 6	9' 0"	18 to 7	30' 7"	21 to 8	22' 11-1/2"	1 to 12	15' 7"	6 to 9	16' 11"
15 to 7	9' 0"	18 to 8	24' 9-7/8"	21 to 9	17' 3-3/8"	1 to 13	11' 11-3/8"	6 to 7	5' 10-5/8"
15 to 8	9' 0"	18 to 9	17' 1-1/4"	21 to 22	16' 2"	1 to 14	7' 8"	6 to 8	12' 7-5/8"
15 to 9	9' 0"	18 to 19	28' 0"	21 to 3	15' 11-3/4"	1 to 15	25' 5-3/4"	6 to 9	16' 11"

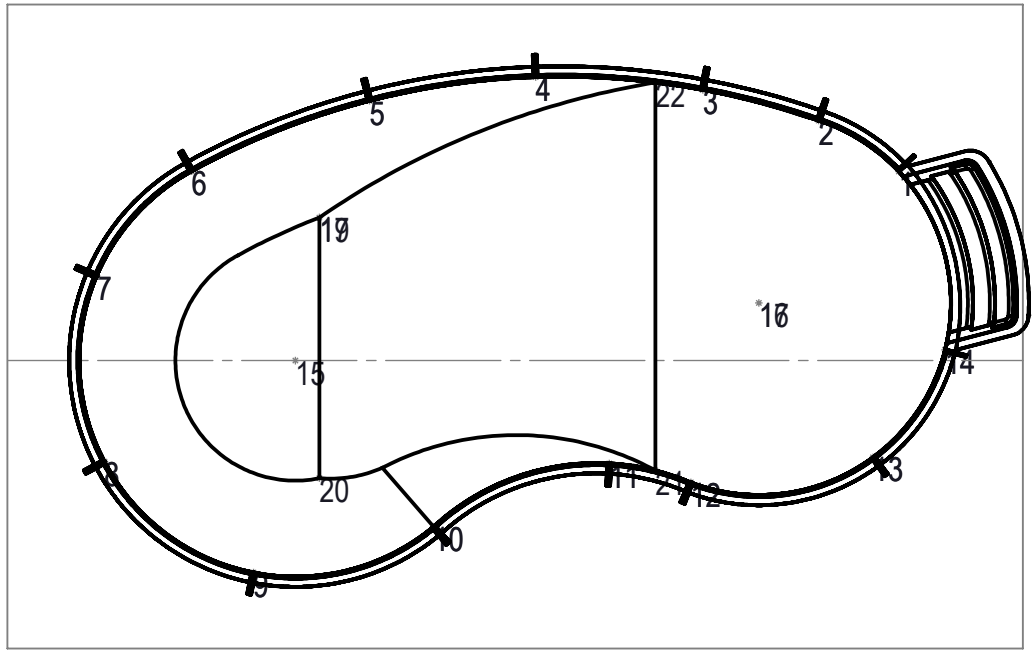


16

18

ENGINEERING DRAWING NUMBER <b>00017162</b>	WEIGHT: "SW- Mass@00002000 CSVDPR1" Volume@00002 000-SEDDPR1 Mach3	UNLESS OTHERWISE SPECIFIED DIMENSIONS ARE IN INCHES TOLERANCES DECIMALS: X ± .1 XX ± .01 XXX ± .001 XXXX ± .0005  ANGULAR: X ± 0.5 THIRD ANGLE PROJECTION	DESIGNED BY: <b>BUMPHREY</b>	CREATION DATE: <b>4/3/2014</b>	<b>HYDRA POOLS</b>			
	HEAT TREAT: NA		FINISH: NA	TEXTURE: NA			DETAILED BY: <b>BUMPHREY</b>	DETAILED DATE: <b>1/9/2018</b>
	NA		NA	NA	LAST REVISED BY: <b>bumphrey</b>	LAST REVISED DATE: <b>1/9/2018</b>	TITLE: <b>LAYOUT, 18' X 36', KIDNEY, LEFT, 8" DEEP, HS106N, LIGHT, 2-1084, 3-INLETS, 600 SERIES</b>	
	NA		NA	NA	MATERIAL: "SW-Material@00002000.SLDPR1"	PART NUMBER: <b>00017162</b>		

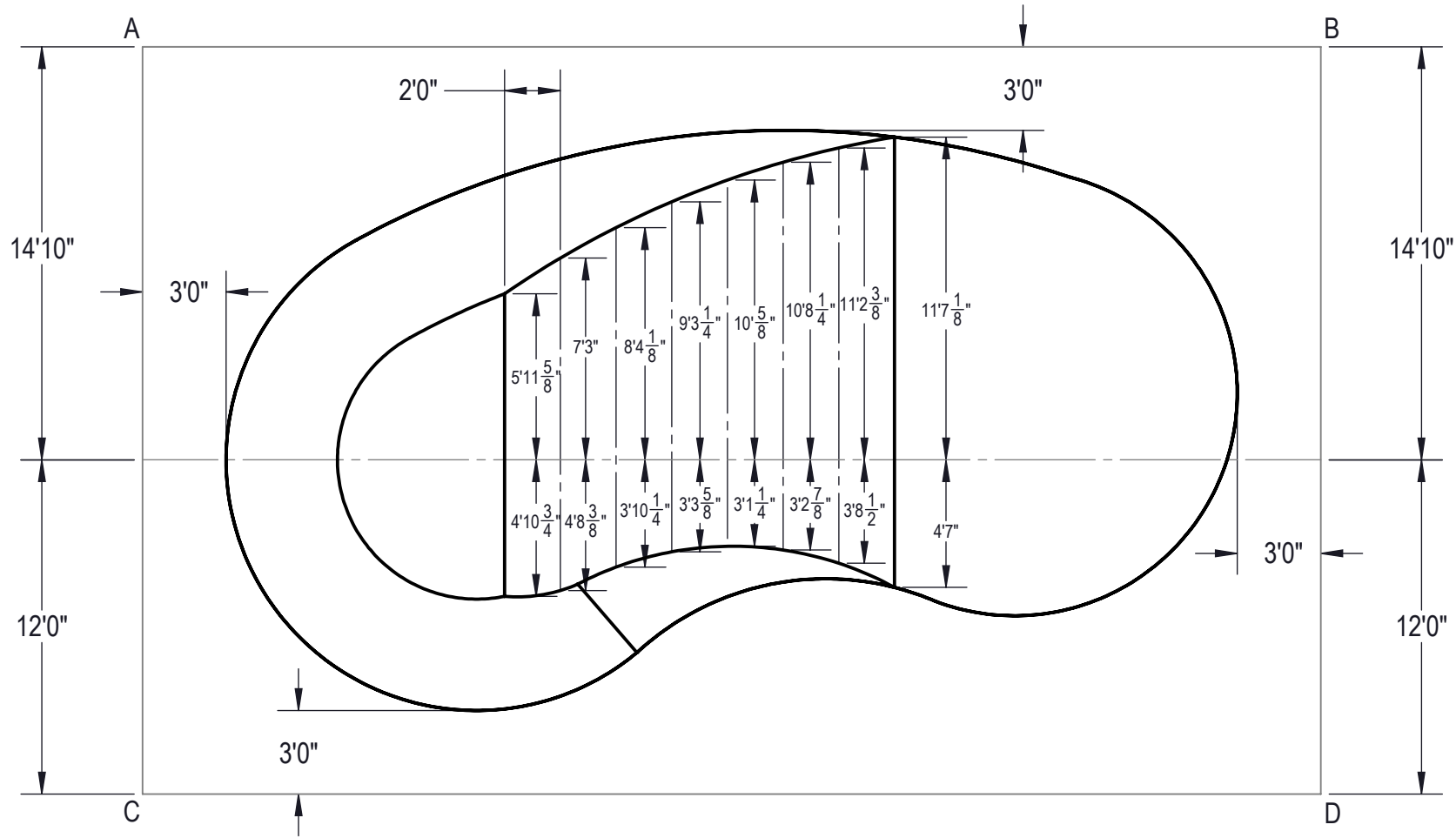
7 to 8	7' 8-7/8"	11 to 18	16' 0-1/8"	13 to 7	33' 2-5/8"	15 to 6	27' 10-1/8"	17 to 21	17' 6-1/4"
7 to 9	13' 11-3/4"	11 to 19	15' 10-1/8"	13 to 8	32' 0-3/8"	15 to 7	27' 4-5/8"	17 to 22	15' 1"
7 to 8	7' 8-7/8"	11 to 20	12' 1-1/8"	13 to 9	26' 3-1/8"	15 to 8	22' 10"	17 to 2	21' 2-3/8"
7 to 9	13' 11-3/4"	11 to 21	1' 11-1/4"	13 to 14	5' 4-3/4"	15 to 9	15' 3-3/8"	17 to 3	16' 10-1/8"
8 to 9	7' 8-7/8"	11 to 22	15' 11-7/8"	13 to 15	24' 4-7/8"	15 to 16	0' 0"	17 to 4	10' 9"
8 to 9	7' 8-7/8"	11 to 2	16' 8-7/8"	13 to 16	15' 5-1/8"	15 to 17	17' 12"	17 to 5	5' 3-1/2"
10 to 2	23' 3-7/8"	11 to 3	16' 0-5/8"	13 to 17	8' 0"	15 to 18	6' 0-7/8"	17 to 6	5' 8"
10 to 3	21' 4-5/8"	11 to 4	16' 4-3/4"	13 to 18	20' 8-3/4"	15 to 19	23' 3-1/2"	17 to 7	9' 7-1/8"
10 to 4	19' 2-5/8"	11 to 5	18' 1-3/8"	13 to 19	25' 1-3/4"	15 to 20	14' 10-3/8"	17 to 8	13' 6-5/8"
10 to 5	17' 11-3/8"	11 to 6	21' 3"	13 to 20	23' 1"	15 to 21	10' 0"	17 to 9	15' 0-1/2"
10 to 6	17' 11"	11 to 7	22' 9"	13 to 21	9' 1"	15 to 22	25' 11-3/4"		
10 to 7	17' 6"	11 to 8	21' 0-1/2"	13 to 22	18' 0-3/4"	15 to 2	25' 11-3/4"		
10 to 8	13' 11-3/4"	11 to 9	15' 6-1/8"	13 to 2	14' 2-1/2"	15 to 3	25' 11-1/4"		
10 to 9	7' 8-7/8"	11 to 12	3' 5-3/4"	13 to 3	16' 10-1/2"	15 to 4	26' 2-1/2"		
10 to 11	7' 9-1/2"	11 to 13	10' 11-7/8"	13 to 4	21' 2-1/8"	15 to 5	26' 9-3/4"		
10 to 12	10' 10-1/2"	11 to 14	14' 9-1/4"	13 to 5	25' 8-3/8"	15 to 6	27' 10-1/8"		
10 to 13	18' 6-1/2"	11 to 15	10' 0"	13 to 6	30' 9-5/8"	15 to 7	27' 4-5/8"		
10 to 14	22' 6-5/8"	11 to 16	9' 1-5/8"	13 to 7	33' 2-5/8"	15 to 8	22' 10"		
10 to 15	9' 0"	11 to 17	15' 10-1/8"	13 to 8	32' 0-3/8"	15 to 9	15' 3-3/8"		
10 to 16	10' 0"	12 to 2	15' 12"	13 to 9	26' 3-1/8"	15 to 16	17' 12"		
10 to 17	16' 5-1/2"	12 to 3	16' 4-3/8"	13 to 14	5' 4-3/4"	15 to 17	23' 3-1/2"		
10 to 18	14' 3-1/4"	12 to 4	18' 1"	13 to 15	15' 5-1/8"	16 to 2	8' 0"		
10 to 19	13' 8-3/4"	12 to 5	20' 9-3/8"	13 to 16	8' 0"	16 to 3	9' 2-1/8"		
10 to 20	5' 2"	12 to 6	24' 6-1/8"	13 to 17	25' 1-3/4"	16 to 4	13' 2-3/4"		
10 to 21	9' 6-1/2"	12 to 7	26' 2-1/2"	14 to 2	10' 10-7/8"	16 to 5	18' 3-1/4"		
10 to 22	20' 8-3/8"	12 to 8	24' 5-3/8"	14 to 3	14' 9-5/8"	16 to 6	24' 3-1/4"		
10 to 2	23' 3-7/8"	12 to 9	18' 7-1/4"	14 to 4	20' 6"	16 to 7	27' 7-3/8"		
10 to 3	21' 4-5/8"	12 to 13	7' 8"	14 to 5	26' 1-1/2"	16 to 8	28' 0-5/8"		
10 to 4	19' 2-5/8"	12 to 14	11' 11-1/2"	14 to 6	32' 3-1/4"	16 to 9	23' 10-3/8"		
10 to 5	17' 11-3/8"	12 to 15	17' 2-7/8"	14 to 7	35' 5-3/4"	16 to 17	0' 0"		
10 to 6	17' 11"	12 to 16	10' 0"	14 to 8	35' 4"	16 to 18	24' 0-3/8"		
10 to 7	17' 6"	12 to 17	8' 0"	14 to 9	30' 3-1/4"	16 to 19	18' 7-7/8"		
10 to 8	13' 11-3/4"	12 to 18	16' 0-3/8"	14 to 15	27' 0-7/8"	16 to 20	19' 8-1/2"		
10 to 9	7' 8-7/8"	12 to 19	19' 0-1/8"	14 to 16	20' 8-1/4"	16 to 21	8' 2-1/2"		
10 to 11	7' 9-1/2"	12 to 20	15' 5-5/8"	14 to 17	8' 0"	16 to 22	10' 1-3/4"		
10 to 12	10' 10-1/2"	12 to 21	1' 6-5/8"	14 to 18	26' 1-1/4"	16 to 2	8' 0"		
10 to 13	18' 6-1/2"	12 to 22	16' 8-3/4"	14 to 19	26' 7-3/4"	16 to 3	9' 2-1/8"		
10 to 14	22' 6-5/8"	12 to 2	15' 12"	14 to 20	26' 7-3/8"	16 to 4	13' 2-3/4"		
10 to 15	10' 0"	12 to 3	16' 4-3/8"	14 to 21	13' 0-7/8"	16 to 5	18' 3-1/4"		
10 to 16	16' 5-1/2"	12 to 4	18' 1"	14 to 22	16' 5-1/8"	16 to 6	24' 3-1/4"		
10 to 17	13' 8-3/4"	12 to 5	20' 9-3/8"	14 to 2	10' 10-7/8"	16 to 7	27' 7-3/8"		
11 to 2	16' 8-7/8"	12 to 6	24' 6-1/8"	14 to 3	14' 9-5/8"	16 to 8	28' 0-5/8"		
11 to 3	16' 0-5/8"	12 to 7	26' 2-1/2"	14 to 4	20' 6"	16 to 9	23' 10-3/8"		
11 to 4	16' 4-3/4"	12 to 8	24' 5-3/8"	14 to 5	26' 1-1/2"	16 to 17	18' 7-7/8"		
11 to 5	18' 1-3/8"	12 to 9	18' 7-1/4"	14 to 6	32' 3-1/4"	17 to 2	21' 2-3/8"		
11 to 6	21' 3"	12 to 13	7' 8"	14 to 7	35' 5-3/4"	17 to 3	16' 10-1/8"		
11 to 7	22' 9"	12 to 14	11' 11-1/2"	14 to 8	35' 4"	17 to 4	10' 9"		
11 to 8	21' 0-1/2"	12 to 15	10' 0"	14 to 9	30' 3-1/4"	17 to 5	5' 3-1/2"		
11 to 9	15' 6-1/8"	12 to 16	8' 0"	14 to 15	20' 8-1/4"	17 to 6	5' 8"		
11 to 12	3' 5-3/4"	12 to 17	19' 0-1/8"	14 to 16	8' 0"	17 to 7	9' 7-1/8"		
11 to 13	10' 11-7/8"	13 to 2	14' 2-1/2"	14 to 17	26' 7-3/4"	17 to 8	13' 6-5/8"		
11 to 14	14' 9-1/4"	13 to 3	16' 10-1/2"	15 to 2	25' 11-3/4"	17 to 9	15' 0-1/2"		
11 to 15	13' 9-1/8"	13 to 4	21' 2-1/8"	15 to 3	25' 11-1/4"	17 to 18	28' 0"		
11 to 16	10' 0"	13 to 5	25' 8-3/8"	15 to 4	26' 2-1/2"	17 to 19	0' 0"		
11 to 17	9' 1-5/8"	13 to 6	30' 9-5/8"	15 to 5	26' 9-3/4"	17 to 20	10' 10-3/8"		



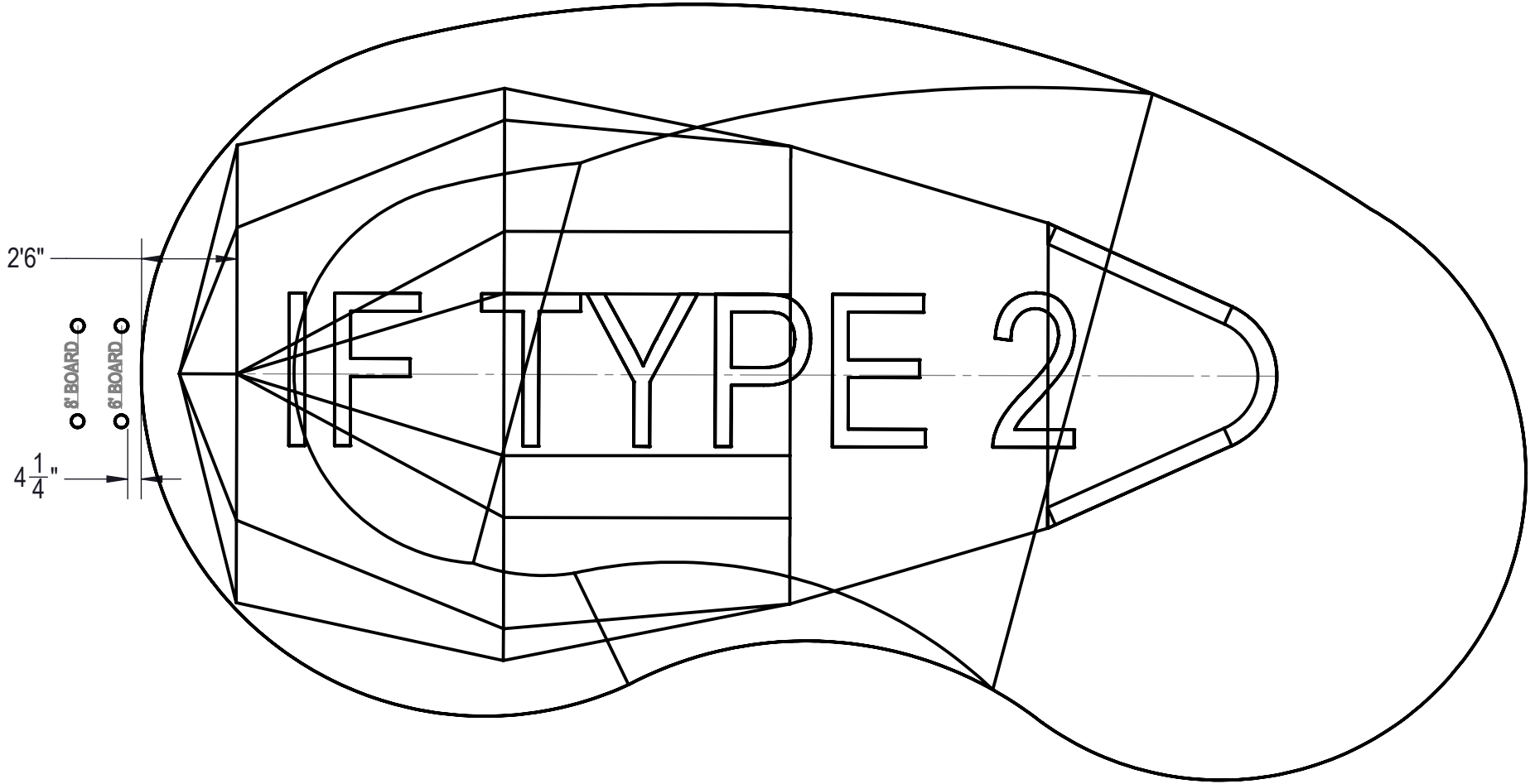
10 to 6	17' 11"	11 to 7	22' 9"	13 to 20	23' 1"	15 to 21	10' 0"	17 to 9	15' 0-1/2"
10 to 7	17' 6"	11 to 8	21' 0-1/2"	13 to 22	18' 0-3/4"	15 to 2	25' 11-3/4"		
10 to 8	13' 11-3/4"	11 to 9	15' 6-1/8"	13 to 2	14' 2-1/2"	15 to 3	25' 11-1/4"		
10 to 9	7' 8-7/8"	11 to 12	3' 5-3/4"	13 to 3	16' 10-1/2"	15 to 4	26' 2-1/2"		
10 to 11	7' 9-1/2"	11 to 13	10' 11-7/8"	13 to 4	21' 2-1/8"	15 to 5	26' 9-3/4"		
10 to 12	10' 10-1/2"	11 to 14	14' 9-1/4"	13 to 5	25' 8-3/8"	15 to 6	27' 10-1/8"		
10 to 13	18' 6-1/2"	11 to 15	10' 0"	13 to 6	30' 9-5/8"	15 to 7	27' 4-5/8"		
10 to 14	22' 6-5/8"	11 to 16	9' 1-5/8"	13 to 7	33' 2-5/8"	15 to 8	22' 10"		
10 to 15	9' 0"	11 to 17	15' 10-1/8"	13 to 8	32' 0-3/8"	15 to 9	15' 3-3/8"		
10 to 16	10' 0"	12 to 2	15' 12"	13 to 9	26' 3-1/8"	15 to 16	17' 12"		
10 to 17	16' 5-1/2"	12 to 3	16' 4-3/8"	13 to 14	5' 4-3/4"	15 to 17	23' 3-1/2"		
10 to 18	14' 3-1/4"	12 to 4	18' 1"	13 to 15	15' 5-1/8"	16 to 2	8' 0"		
10 to 19	13' 8-3/4"	12 to 5	20' 9-3/8"	13 to 16	8' 0"	16 to 3	9' 2-1/8"		
10 to 20	5' 2"	12 to 6	24' 6-1/8"	13 to 17	25' 1-3/4"	16 to 4	13' 2-3/4"		
10 to 21	9' 6-1/2"	12 to 7	26' 2-1/2"	14 to 2	10' 10-7/8"	16 to 5	18' 3-1/4"		
10 to 22	20' 8-3/8"	12 to 8	24' 5-3/8"	14 to 3	14' 9-5/8"	16 to 6	24' 3-1/4"		
10 to 2	23' 3-7/8"	12 to 9	18' 7-1/4"	14 to 4	20' 6"	16 to 7	27' 7-3/8"		
10 to 3	21' 4-5/8"	12 to 13	7' 8"	14 to 5	26' 1-1/2"	16 to 8	28' 0-5/8"		
10 to 4	19' 2-5/8"	12 to 14	11' 11-1/2"	14 to 6	32' 3-1/4"	16 to 9	23' 10-3/8"		
10 to 5	17' 11-3/8"	12 to 15	17' 2-7/8"	14 to 7	35' 5-3/4"	16 to 17	0' 0"		
10 to 6	17' 11"	12 to 16	10' 0"	14 to 8	35' 4"	16 to 18	24' 0-3/8"		
10 to 7	17' 6"	12 to 17	8' 0"	14 to 9	30' 3-1/4"	16 to 19	18' 7-7/8"		
10 to 8	13' 11-3/4"	12 to 18	16' 0-3/8"	14 to 15	27' 0-7/8"	16 to 20	19' 8-1/2"		
10 to 9	7' 8-7/8"	12 to 19	19' 0-1/8"	14 to 16	20' 8-1/4"	16 to 21	8' 2-1/2"		
10 to 11	7' 9-1/2"	12 to 20	15' 5-5/8"	14 to 17	8' 0"	16 to 22	10' 1-3/4"		
10 to 12	10' 10-1/2"	12 to 21	1' 6-5/8"	14 to 18	26' 1-1/4"	16 to 2	8' 0"		
10 to 13	18' 6-1/2"	12 to 22	16' 8-3/4"	14 to 19	26' 7-3/4"	16 to 3	9' 2-1/8"		
10 to 14	22' 6-5/8"	12 to 2	15' 12"	14 to 20	26' 7-3/8"	16 to 4	13' 2-3/4"		
10 to 15	10' 0"	12 to 3	16' 4-3/8"	14 to 21	13' 0-7/8"	16 to 5	18' 3-1/4"		
10 to 16	16' 5-1/2"	12 to 4	18' 1"	14 to 22	16' 5-1/8"	16 to 6	24' 3-1/4"		
10 to 17	13' 8-3/4"	12 to 5	20' 9-3/8"	14 to 2	10' 10-7/8"	16 to 7	27' 7-3/8"		
11 to 2	16' 8-7/8"	12 to 6	24' 6-1/8"	14 to 3	14' 9-5/8"	16 to 8	28' 0-5/8"		
11 to 3	16' 0-5/8"	12 to 7	26' 2-1/2"	14 to 4	20' 6"	16 to 9	23' 10-3/8"		
11 to 4	16' 4-3/4"	12 to 8	24' 5-3/8"	14 to 5	26' 1-1/2"	16 to 17	18' 7-7/8"		
11 to 5	18' 1-3/8"	12 to 9	18' 7-1/4"	14 to 6	32' 3-1/4"	17 to 2	21' 2-3/8"		
11 to 6	21' 3"	12 to 13	7' 8"	14 to 7	35' 5-3/4"	17 to 3	16' 10-1/8"		
11 to 7	22' 9"	12 to 14	11' 11-1/2"	14 to 8	35' 4"	17 to 4	10' 9"		
11 to 8	21' 0-1/2"	12 to 15	10' 0"	14 to 9	30' 3-1/4"	17 to 5	5' 3-1/2"		
11 to 9	15' 6-1/8"	12 to 16	8' 0"	14 to 15	20' 8-1/4"	17 to 6	5' 8"		
11 to 12	3' 5-3/4"	12 to 17	19' 0-1/8"	14 to 16	8' 0"	17 to 7	9' 7-1/8"		
11 to 13	10' 11-7/8"	13 to 2	14' 2-1/2"	14 to 17	26' 7-3/4"	17 to 8	13' 6-5/8"		
11 to 14	14' 9-1/4"	13 to 3	16' 10-1/2"	15 to 2	25' 11-3/4"	17 to 9	15' 0-1/2"		
11 to 15	13' 9-1/8"	13 to 4	21' 2-1/8"	15 to 3	25' 11-1/4"	17 to 18	28' 0"		
11 to 16	10' 0"	13 to 5	25' 8-3/8"	15 to 4	26' 2-1/2"	17 to 19	0' 0"		
11 to 17	9' 1-5/8"	13 to 6	30' 9-5/8"	15 to 5	26' 9-3/4"	17 to 20	10' 10-3/8"		

ENGINEERING DRAWING NUMBER: <b>00017162</b>	WEIGHT:	UNLESS OTHERWISE SPECIFIED	DESIGNED BY:	CREATION DATE:	<b>HYDRA POOLS</b>
	Mas@00002000 CSVDPR1"	DIMENSIONS ARE IN INCHES	BUMPHREY	4/3/2014	
	M@00000002 000-SEDDPT	TOLERANCES	DETAILED BY:	DETAILED DATE:	TITLE: LAYOUT, 18' X 36', KIDNEY, LEFT, 8" DEEP, HS106N, LIGHT, 2-1084, 3-INLETS, 600 SERIES
	Mach	DECIMALS: X ± .1 XX ± .01 XXX ± .001 XXXX ± .0005	BUMPHREY	1/9/2018	
	HEAT TREAT:	ANGULAR: X ± 0.5	LAST REVISED BY:	LAST REVISED DATE:	
	NA	THIRD ANGLE PROJECTION	bumphrey	1/9/2018	PART NUMBER: <b>00017162</b>
	FINISH:		MATERIAL:	"SW-Material@00002000.SLDPR1"	
	TEXTURE:				SCALE: 1:96
					SIZE: A
					SHEET: 8 OF 10





ENGINEERING DRAWING NUMBER: <b>00017162</b>	WEIGHT:	<b>UNLESS OTHERWISE SPECIFIED</b> DIMENSIONS ARE IN INCHES TOLERANCES DECIMALS: X ± .1 XX ± .01 XXX ± .001 XXXX ± .0005  ANGULAR: X ± 0.5 THIRD ANGLE PROJECTION 	DESIGNED BY:	CREATION DATE:	<b>HYDRA POOLS</b>  TITLE: LAYOUT, 18' X 36', KIDNEY, LEFT, 8" DEEP, HS106N, LIGHT, 2-1084, 3-INLETS, 600 SERIES
	lbs		BUMPHREY	4/3/2014	
	VOLUME:		DETAILED BY:	DETAILED DATE:	
	Inch <sup>3</sup>		BUMPHREY	1/9/2018	PART NUMBER: <div style="font-size: 2em; font-weight: bold; text-align: center;">00017162</div>
	COLOR:		LAST REVISED BY:	LAST REVISED DATE:	
	NA		bumphrey	1/9/2018	SHEET: 9 OF 10
HEAT TREAT:	MATERIAL:				
NA					
FINISH:					
NA					
TEXTURE:					
NA					



ENGINEERING DRAWING NUMBER: <b>00017162</b>	WEIGHT: "SW- Mas@00002000 CSDPRT" Volume@00002 000-6600RT 1/1/18	<b>UNLESS OTHERWISE SPECIFIED</b> DIMENSIONS ARE IN INCHES TOLERANCES DECIMALS: X ± .1 XX ± .01 XXX ± .001 XXXX ± .0005 ANGULAR: X ± 0.5 THIRD ANGLE PROJECTION 	DESIGNED BY: <b>BUMPHREY</b>	CREATION DATE: 4/3/2014	<b>HYDRA POOLS</b>  TITLE: LAYOUT, 18' X 36', KIDNEY, LEFT, 8" DEEP, HS106N, LIGHT, 2-1084, 3-INLETS, 600 SERIES
	HEAT TREAT: NA		DETAILED BY: <b>BUMPHREY</b>	DETAILED DATE: 1/9/2018	
	FINISH: NA		LAST REVISED BY: <b>bumphrey</b>	LAST REVISED DATE: 1/9/2018	
	TEXTURE: NA		MATERIAL: "SW-Material@00002000.SLDPRT"		
PART NUMBER: <div style="text-align: right; font-size: 24pt; font-weight: bold;">00017162</div>					SCALE: 1:72 SHEET: 10 OF 10
					A