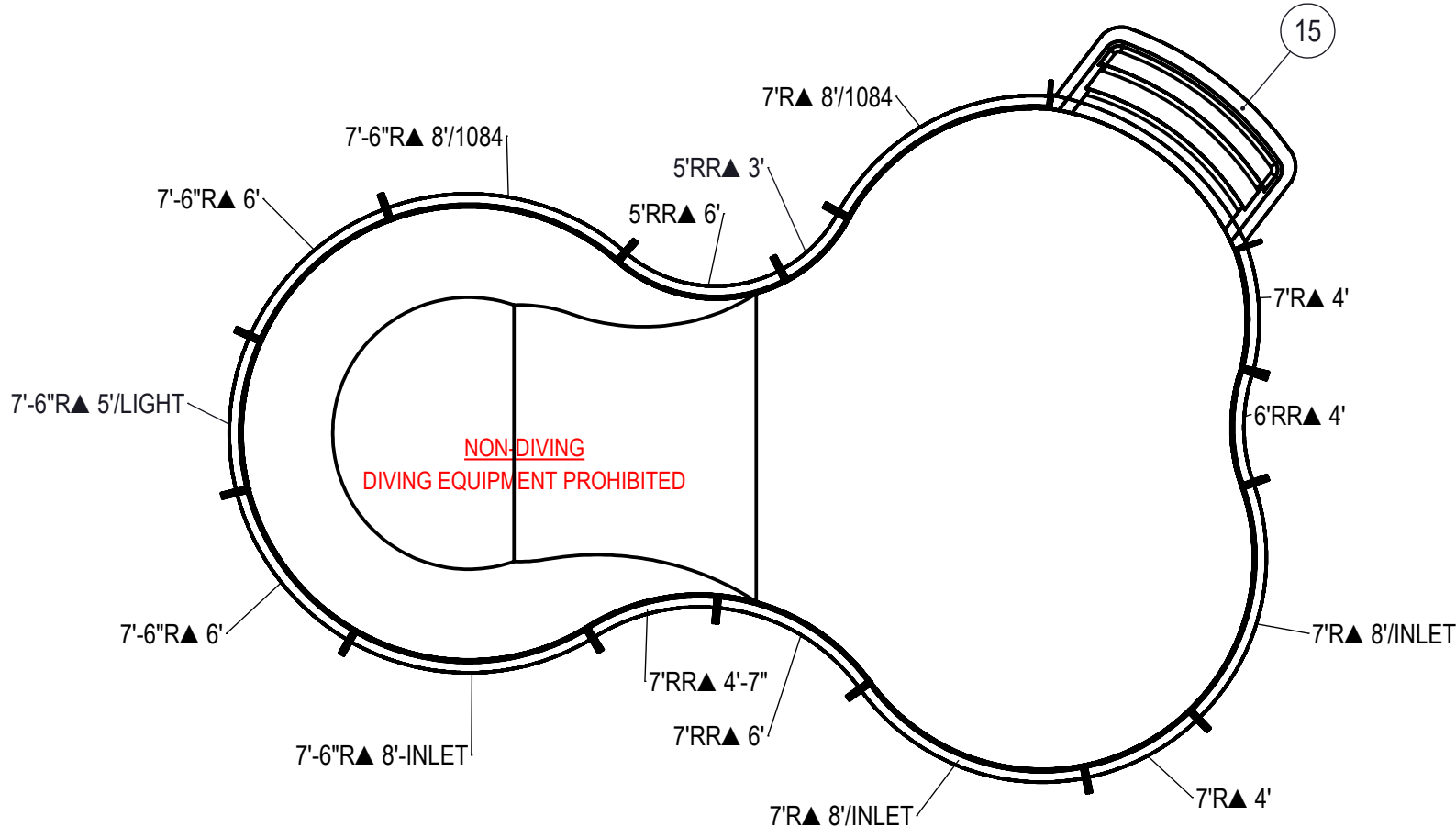


REVISION HISTORY				
REV.	DESCRIPTION	DATE	ECO	BY



**NON-DIVING
DIVING EQUIPMENT PROHIBITED**

NOTES:

- THESE ARE FINISHED DIMENSIONS READY FOR THE LINER.
- DIMENSIONS ARE FROM INSIDE POOL PANELS.
- ROPE AND FLOAT ASSEMBLY SHOULD BE INSTALLED IN ACCORDANCE WITH CURRENT ANSI/ASPS/ICC REGULATIONS
- HYDRA LINER TRACK FOR STEPS IS INSTALLED WITH THE BARB FACING THE RISER WALL ON THE STEP.

EXCAVATION NOTES:

- ROUGH EXCAVATION SHOULD BE 2" DEEPER IN EACH INSTANCE.
- SOIL TO HAVE MINIMUM BEARING CAPACITY OF 1500 PSF.
- LOCATE TOP OF POOL AT LEAST 6" ABOVE THE SURROUNDING LAND ELEVATION.
- SEE "OVER DIG DETAIL" FOR EXCAVATION AROUND POOL.
- FILL VOIDS UNDER BASE OF PANELS AND TAMP WELL.
- BACK FILL WITH NON-EXPANSIVE MATERIAL.
- FOLLOW ALL CURRENT ANSI / APSP / ICC GUIDELINES FOR RESIDENTIAL POOLS

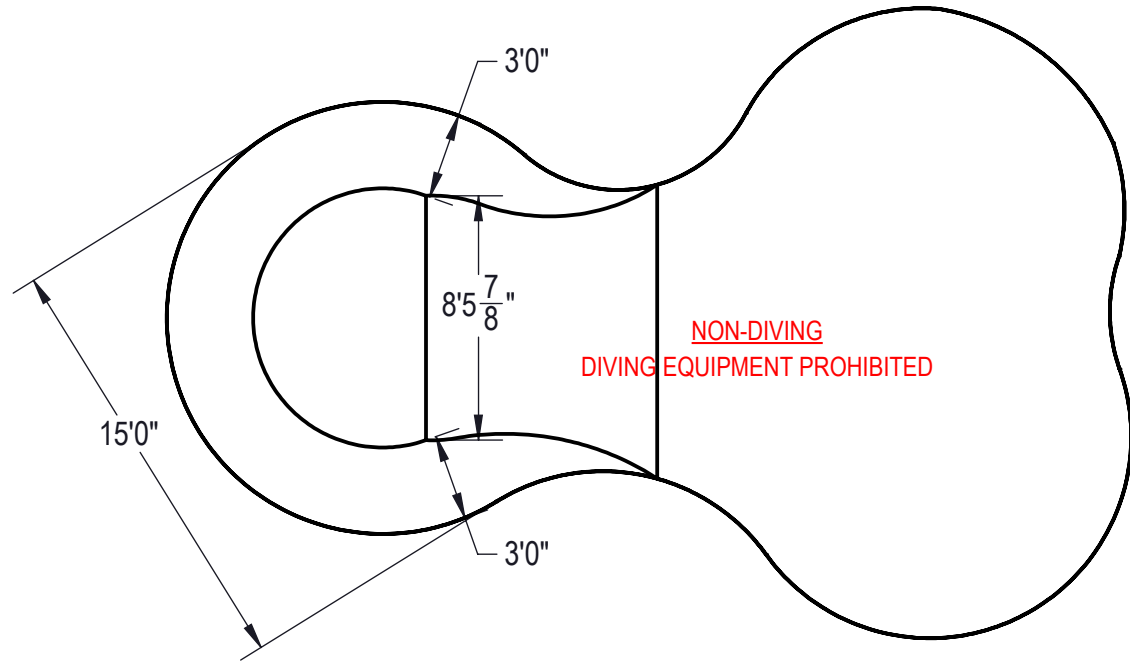
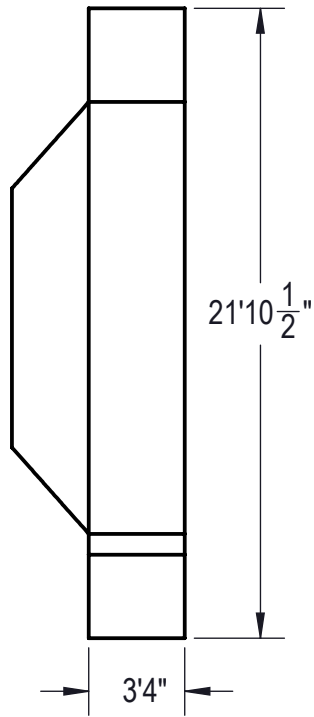
IMPORTANT NOTES:

THIS DOCUMENT IS FOR ILLUSTRATIVE PURPOSES ONLY. THE DEALER OR CONTRACTOR WHO SELLS OR INSTALLS YOUR POOL IS AN INDEPENDENT CONTRACTOR AND IS NOT AN AGENT OF THE MANUFACTURER. THE CONSTRUCTION METHODS ILLUSTRATED HERE ARE SUGGESTIONS AND APPLY ONLY TO NORMAL GROUND CONDITIONS. THERE MAY BE ADDITIONAL PRECAUTIONS AND/OR METHODS OF CONSTRUCTION. PROPER INSTALLATION IS THE RESPONSIBILITY OF THE DEALER/BUILDER/CONTRACTOR.

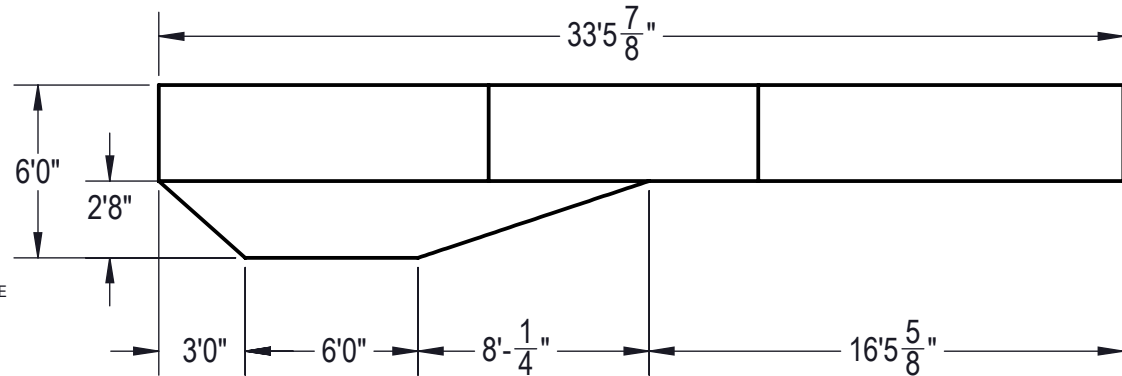
ITEM	FILE NAME	DESCRIPTION	CUSTOMER DRAWING #	VENDOR PART #	QTY.
1	BOLT, PACK	BOLT, FLANGE, 3/8-16 X 1", PACK (50)	HPS1916	HPS1916	4
2	SBRACE	BRACE, FOLD OVER WITH TURNBUCKLE, STEEL, HPSFOB	HPSFOB	HPSFOB	16
3	PANEL, RR	PANEL, 5' REVERSE RADIUS, 3' LONG, 600 SERIES	HPSD5RR3	00002027	1
4	PANEL, RR	PANEL, 5' REVERSE RADIUS, 6' LONG, 600 SERIES	HPSCR7	00002130	1
5	PANEL, RR	PANEL, 6' REVERSE RADIUS, 4' LONG, 600 SERIES	HPS6RR4	00000325	1
6	PANEL, RADIUS	PANEL, 7' RADIUS, 4' LONG, 600 SERIES	HPSD7R4	00000134	2
7	PANEL, RADIUS	PANEL, 7' RADIUS, 8' LONG, 1084, 600 SERIES	HPS7R884	00002362	1
8	PANEL, RADIUS	PANEL, 7' RADIUS, 8' LONG, INLET, 600 SERIES	HPS7R8I	00000270	2
9	PANEL, RR	PANEL, 7' REVERSE RADIUS, 4'-7" LONG, 600 SERIES	HPSCR5	00008501	1
10	PANEL, RR	PANEL, 7' REVERSE RADIUS, 6' LONG, 600 SERIES	HPS7RR6	00002246	1
11	PANEL, RADIUS	PANEL, 7'-6" RADIUS, 5' LONG, LIGHT, 600 SERIES	HPSCR6	00006472	1
12	PANEL, RADIUS	PANEL, 7'-6" RADIUS, 6' LONG, 600 SERIES	HPSCR7	00005710	2
13	PANEL, RADIUS	PANEL, 7'-6" RADIUS, 8' LONG, 1084, 600 SERIES	HPSCR8	00006473	1
14	PANEL, RADIUS	PANEL, 7'-6" RADIUS, 8' LONG, INLET, 600 SERIES	HPSCR8	00009789	1
15	HS106N	STEP, 8' RADIUS, 3 TREAD	HS106N	HS106N	1

ENGINEERING DRAWING NUMBER: 00017249	WEIGHT:	UNLESS OTHERWISE SPECIFIED DIMENSIONS ARE IN INCHES TOLERANCES DECIMALS: X ± .1 XX ± .01 XXX ± .001 XXXX ± .0005 ANGULAR: X ± 0.5 THIRD ANGLE PROJECTION	DESIGNED BY:	CREATION DATE:
	lbs		BUMPHREY	6/24/2013
	VOLUME:		DETAILED BY:	
	Inch ³		BUMPHREY	1/16/2018
	COLOR:		LAST REVISED BY:	
	NA		bumphrey	1/16/2018
HEAT TREAT:	MATERIAL:			
NA				
FINISH:				
NA				
TEXTURE:				
NA				

HYDRA POOLS	
TITLE: LAYOUT, 15' X 34' X 22', AMEBA, 8' DEEP, HS106N, LIGHT, 2-1084, 3-INLET, 600 SERIES	
PART NUMBER:	SCALE: 1:192
00017249	SHEET: 1 OF 4
	A



Area: 492.00ft ^2
Perimeter: 96.57ft
Volume = 14599 US gallons



NOTES:

1. THESE ARE FINISHED DIMENSIONS READY FOR THE LINER.
2. DIMENSIONS ARE FROM INSIDE POOL PANELS.
3. ROPE AND FLOAT ASSEMBLY SHOULD BE INSTALLED IN ACCORDANCE WITH CURRENT ANSI/ASPS/ICC REGULATIONS
4. HYDRA LINER TRACK FOR STEPS IS INSTALLED WITH THE BARB FACING THE RISER WALL ON THE STEP.

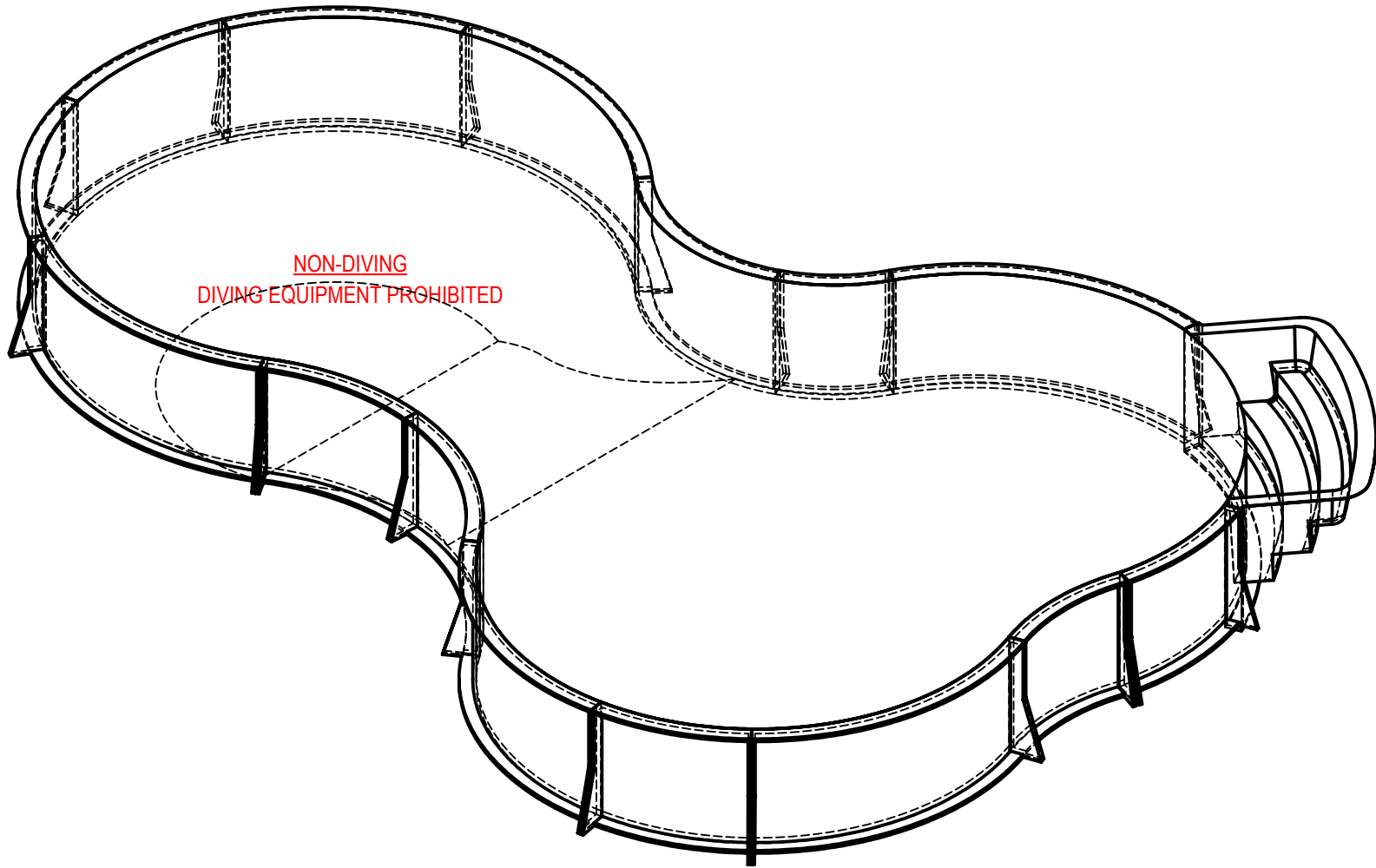
EXCAVATION NOTES:

5. ROUGH EXCAVATION SHOULD BE 2" DEEPER IN EACH INSTANCE.
6. SOIL TO HAVE MINIMUM BEARING CAPACITY OF 1500 PSF.
7. LOCATE TOP OF POOL AT LEAST 6" ABOVE THE SURROUNDING LAND ELEVATION.
8. SEE "OVER DIG DETAIL" FOR EXCAVATION AROUND POOL.
9. FILL VOIDS UNDER BASE OF PANELS AND TAMP WELL.
10. BACK FILL WITH NON-EXPANSIVE MATERIAL.
11. FOLLOW ALL CURRENT ANSI / ASP / ICC GUIDELINES FOR RESIDENTIAL POOLS

IMPORTANT NOTES:

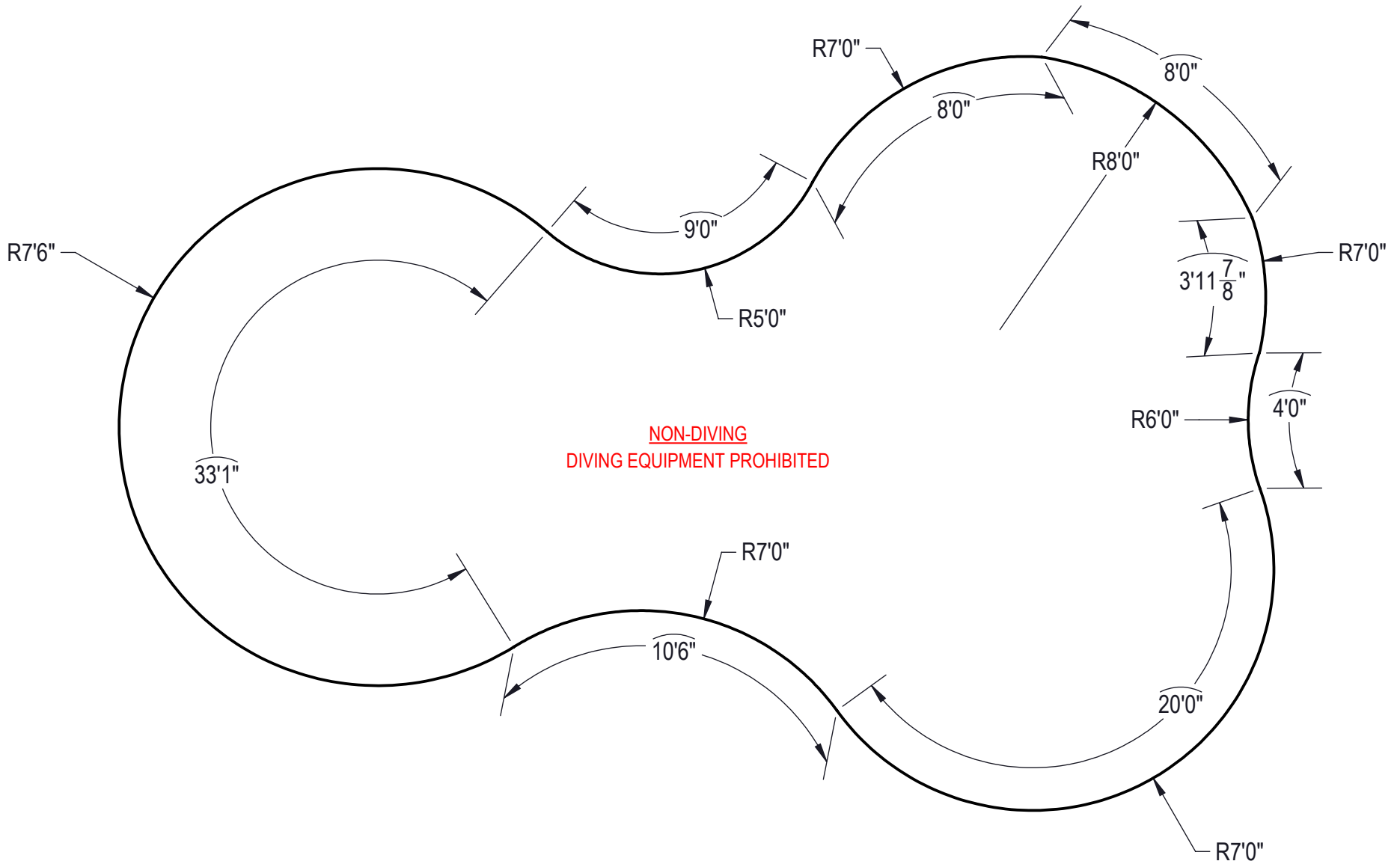
THIS DOCUMENT IS FOR ILLUSTRATIVE PURPOSES ONLY. THE DEALER OR CONTRACTOR WHO SELLS OR INSTALLS YOUR POOL IS AN INDEPENDENT CONTRACTOR AND IS NOT AN AGENT OF THE MANUFACTURER. THE CONSTRUCTION METHODS ILLUSTRATED HERE ARE SUGGESTIONS AND APPLY ONLY TO NORMAL GROUND CONDITIONS. THERE MAY BE ADDITIONAL PRECAUTIONS AND/OR METHODS OF CONSTRUCTION. PROPER INSTALLATION IS THE RESPONSIBILITY OF THE DEALER/BUILDER/CONTRACTOR.

ENGINEERING DRAWING NUMBER: 00017249	WEIGHT:	UNLESS OTHERWISE SPECIFIED DIMENSIONS ARE IN INCHES TOLERANCES DECIMALS: X ± .1 XX ± .01 XXX ± .001 XXXX ± .0005 ANGULAR: X ± 0.5 THIRD ANGLE PROJECTION	DESIGNED BY:	CREATION DATE:	HYDRA POOLS TITLE: LAYOUT, 15' X 34' X 22', AMEBA, 8" DEEP, HS106N, LIGHT, 2-1084, 3-INLET, 600 SERIES	
	VOLUME:		BUMPHREY	6/24/2013		
	Inch ³		DETAILED BY:	1/16/2018		
	COLOR:		BUMPHREY	LAST REVISED DATE:		1/16/2018
	NA		LAST REVISED BY:	bumphrey		
HEAT TREAT:	NA	MATERIAL:				
FINISH:	NA			PART NUMBER:	00017249	
TEXTURE:	NA			SCALE:	1:192	
				SHEET:	2 OF 4	
				SIZE:	A	



**NON-DIVING
DIVING EQUIPMENT PROHIBITED**

ENGINEERING DRAWING NUMBER: 00017249	WEIGHT:	UNLESS OTHERWISE SPECIFIED DIMENSIONS ARE IN INCHES TOLERANCES DECIMALS: X ± .1 XX ± .01 XXX ± .001 XXXX ± .0005 ANGULAR: X ± 0.5 THIRD ANGLE PROJECTION 	DESIGNED BY:	CREATION DATE:	HYDRA POOLS TITLE: LAYOUT, 15' X 34' X 22', AMEBA, 8" DEEP, HS106N, LIGHT, 2-1084, 3-INLET, 600 SERIES PART NUMBER: 00017249
	lbs		BUMPHREY	6/24/2013	
	VOLUME:		Detailed by:	Detailed Date:	
	Inch ³		BUMPHREY	1/16/2018	
	COLOR:		LAST REVISED BY:	LAST REVISED DATE:	
	NA		bumphrey	1/16/2018	
HEAT TREAT:	MATERIAL:		SCALE:	SIZE:	
NA			1:192	A	
FINISH:			SHEET:		
NA			3 OF 4		
TEXTURE:					
NA					



**NON-DIVING
DIVING EQUIPMENT PROHIBITED**

ENGINEERING DRAWING NUMBER: 00017249	WEIGHT:	UNLESS OTHERWISE SPECIFIED DIMENSIONS ARE IN INCHES TOLERANCES DECIMALS: X ± .1 XX ± .01 XXX ± .001 XXXX ± .0005 ANGULAR: X ± 0.5 THIRD ANGLE PROJECTION 	DESIGNED BY:	CREATION DATE:	HYDRA POOLS TITLE: LAYOUT, 15' X 34' X 22', AMEBA, 8" DEEP, HS106N, LIGHT, 2-1084, 3-INLET, 600 SERIES		
	lbs		BUMPHREY	6/24/2013			
	VOLUME:		BUMPHREY	1/16/2018			
	Inch ³		LAST REVISED BY:	LAST REVISED DATE:			
	COLOR:		bumphrey	1/16/2018	PART NUMBER:	SCALE:	SIZE:
	NA		MATERIAL:		00017249	1:192	A
HEAT TREAT:				4 OF 4			
FINISH:							
TEXTURE:							
NA							