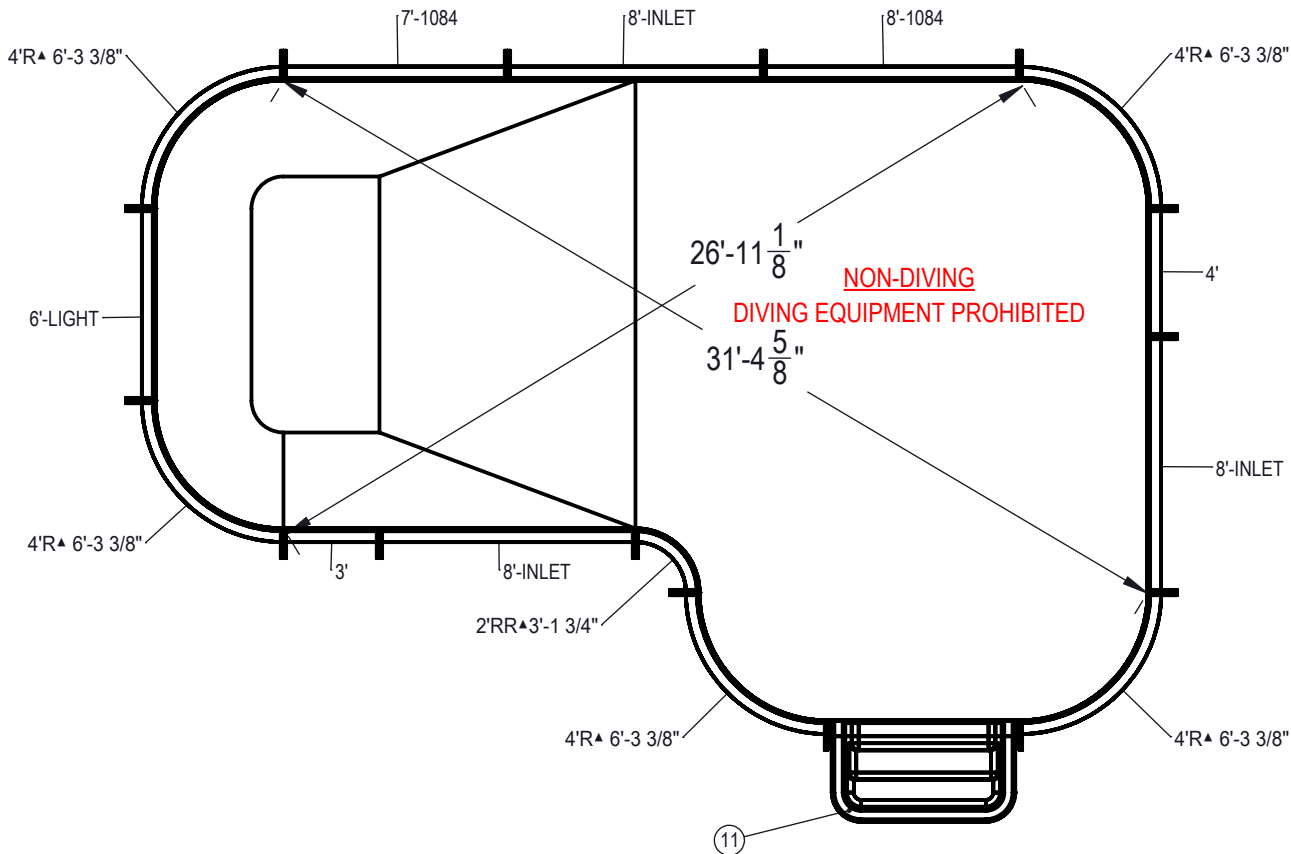


REVISION HISTORY				
REV.	DESCRIPTION	DATE	ECO	BY



NOTES:

1. THESE ARE FINISHED DIMENSIONS READY FOR THE LINER.
2. DIMENSIONS ARE FROM INSIDE POOL PANELS.
3. ROPE AND FLOAT ASSEMBLY SHOULD BE INSTALLED IN ACCORDANCE WITH CURRENT ANSI/ASPS/ICC REGULATIONS
4. HYDRA LINER TRACK FOR STEPS IS INSTALLED WITH THE BARB FACING THE RISER WALL ON THE STEP.

EXCAVATION NOTES:

5. ROUGH EXCAVATION SHOULD BE 2\" DEEPER IN EACH INSTANCE.
6. SOIL TO HAVE MINIMUM BEARING CAPACITY OF 1500 PSF.
7. LOCATE TOP OF POOL AT LEAST 6\" ABOVE THE SURROUNDING LAND ELEVATION.
8. SEE \"OVER DIG DETAIL\" FOR EXCAVATION AROUND POOL.
9. FILL VOIDS UNDER BASE OF PANELS AND TAMP WELL.
10. BACK FILL WITH NON-EXPANSIVE MATERIAL.
11. FOLLOW ALL CURRENT ANSI / ASP / ICC GUIDELINES FOR RESIDENTIAL POOLS

IMPORTANT NOTES:

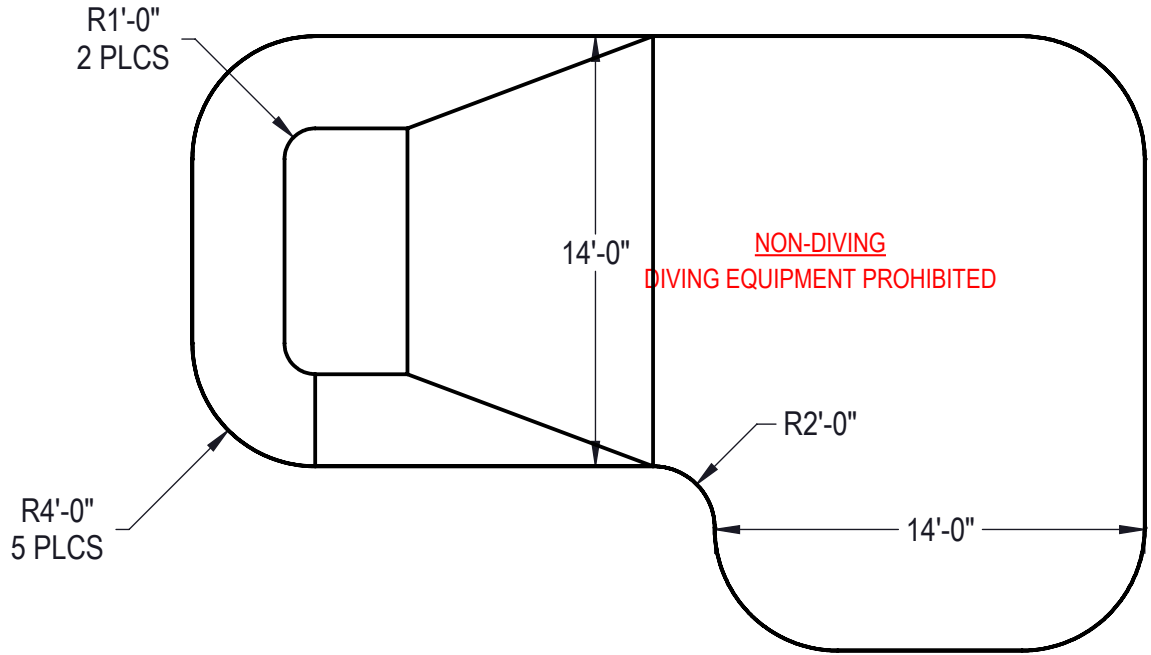
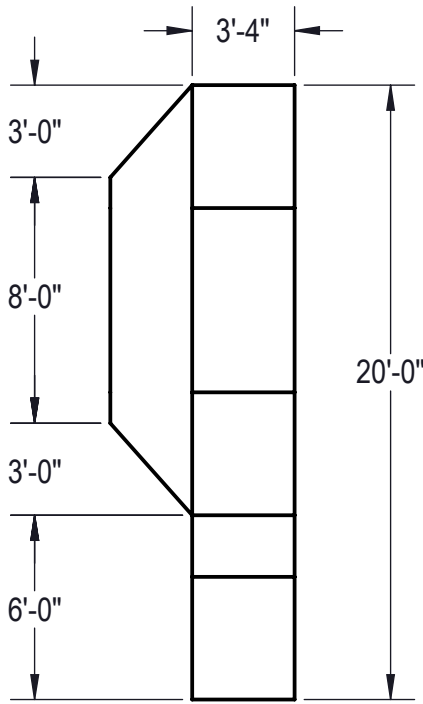
THIS DOCUMENT IS FOR ILLUSTRATIVE PURPOSES ONLY. THE DEALER OR CONTRACTOR WHO SELLS OR INSTALLS YOUR POOL IS AN INDEPENDENT CONTRACTOR AND IS NOT AN AGENT OF THE MANUFACTURER. THE CONSTRUCTION METHODS ILLUSTRATED HERE ARE SUGGESTIONS AND APPLY ONLY TO NORMAL GROUND CONDITIONS. THERE MAY BE ADDITIONAL PRECAUTIONS AND/OR METHODS OF CONSTRUCTION. PROPER INSTALLATION IS THE RESPONSIBILITY OF THE DEALER/BUILDER/CONTRACTOR.

ITEM	FILE NAME	DESCRIPTION	CUSTOMER DRAWING #	VENDOR PART #	QTY.
1	BOLT, PACK	BOLT, FLANGE, 3/8-16 X 1\", PACK (50)	HPS1916	HPS1916	4
2	SBRACE	BRACE, FOLD OVER WITH TURNBUCKLE, STEEL, HPSFOB	HPSFOB	HPSFOB	15
3	PANEL, RR	PANEL, 2' REVERSE RADIUS, 3'-1 3/4\" LONG, 600 SERIES	HPSD2RR	00000288	1
4	PANEL, STRAIGHT	PANEL, 3\" LONG, 600 SERIES	HPSD103P	00000643	1
5	PANEL, STRAIGHT	PANEL, 4\" LONG, 600 SERIES	HPSD104P	00000274	1
6	PANEL, RADIUS	PANEL, 4\" RADIUS, 6'-3 3/8\" LONG, 600 SERIES	HPSD4R	00000289	5
7	PANEL, STRAIGHT	PANEL, 6\" LONG, LIGHT, 600 SERIES	HPSD106L	00000679	1
8	PANEL, STRAIGHT	PANEL, 7\" LONG, 1084, 600 SERIES	HPS10784	00001783	1
9	PANEL, STRAIGHT	PANEL, 8\" LONG, 1084, 600 SERIES	HPSD10884	00002006	1
10	PANEL, STRAIGHT	PANEL, 8\" LONG, INLET, 600 SERIES	HPSD108I	00000699	3
11	HS104N	STEP, 6\" THREE TREAD, STRAIGHT	HS104N	HS104N	1

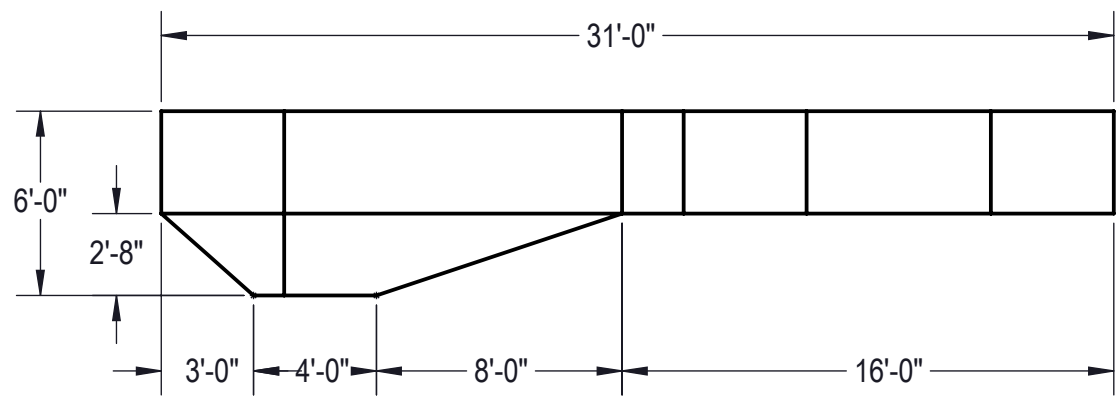
UNLESS OTHERWISE SPECIFIED
 DIMENSIONS ARE IN INCHES
 TOLERANCES
 DECIMALS: X ± .1
 XX ± .01
 XXX ± .001
 XXXX ± .0005
 ANGULAR: X ± 0.5
 THIRD ANGLE PROJECTION

DESIGNED BY: RCOLBOCH
 CREATION DATE: 4/3/2013
 DETAILED BY: RSNVICENTE
 DETAILED DATE: 1/22/2018
 LAST REVISED BY: hyeng
 LAST REVISED DATE: 1/22/2018
 MATERIAL:

HYDRA POOLS
 TITLE: LAYOUT, 14' X 31' X 20', TRUE L, LEFT, 4' RADIUS, 6' DEEP, HS104N, LIGHT, 3- INLET, 2- 1084, 600 SERIES
 PART NUMBER: 00017329
 SCALE: 1:72
 SHEET: 1 OF 3
 SIZE: A



Area: 501.69ft ^2
Perimeter: 92.56ft
Volume = 14644 US gallons



NOTES:

- THESE ARE FINISHED DIMENSIONS READY FOR THE LINER.
- DIMENSIONS ARE FROM INSIDE POOL PANELS.
- ROPE AND FLOAT ASSEMBLY SHOULD BE INSTALLED IN ACCORDANCE WITH CURRENT ANSI/ASPS/ICC REGULATIONS
- HYDRA LINER TRACK FOR STEPS IS INSTALLED WITH THE BARB FACING THE RISER WALL ON THE STEP.

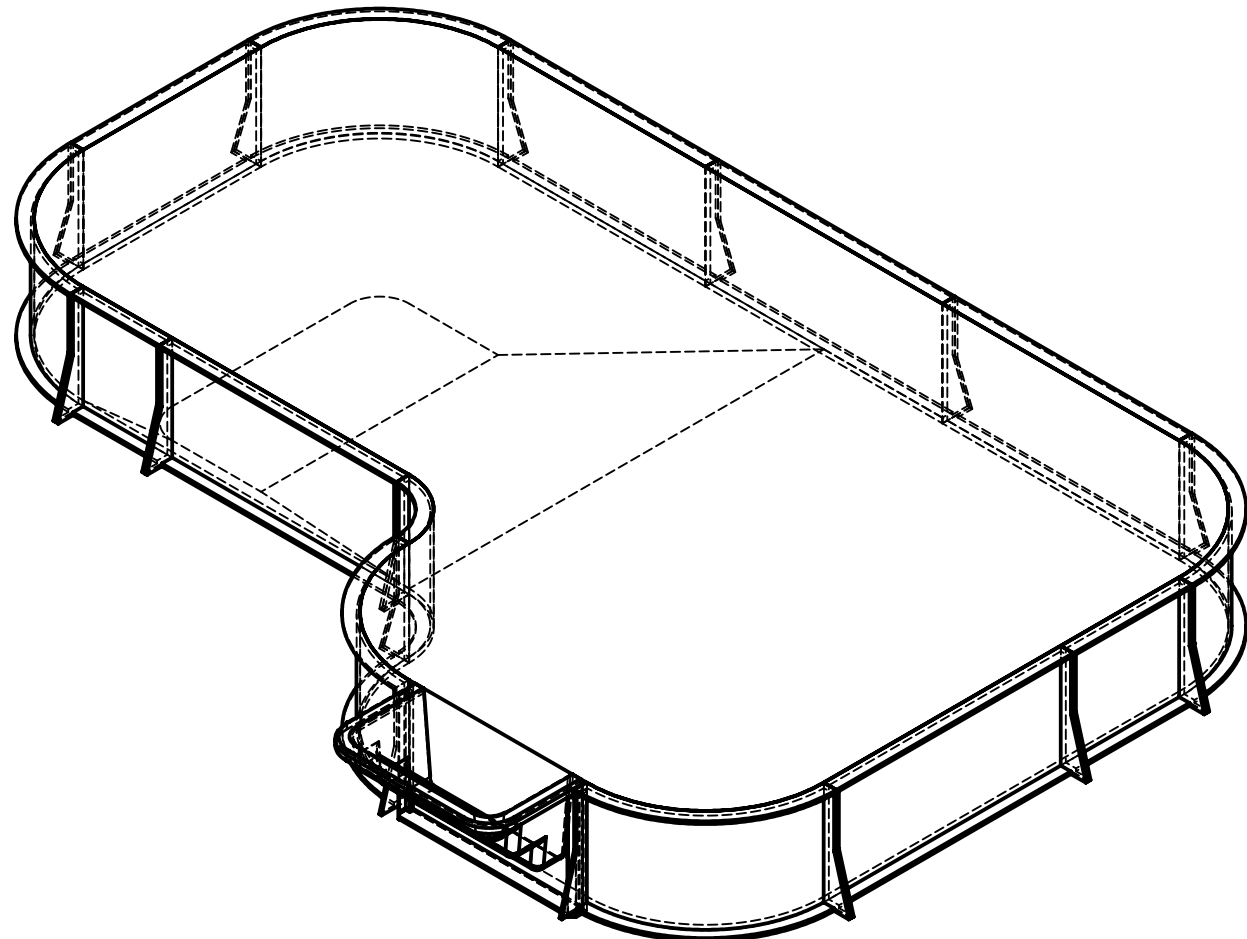
EXCAVATION NOTES:


- ROUGH EXCAVATION SHOULD BE 2" DEEPER IN EACH INSTANCE.
- SOIL TO HAVE MINIMUM BEARING CAPACITY OF 1500 PSF.
- LOCATE TOP OF POOL AT LEAST 6" ABOVE THE SURROUNDING LAND ELEVATION.
- SEE "OVER DIG DETAIL" FOR EXCAVATION AROUND POOL.
- FILL VOIDS UNDER BASE OF PANELS AND TAMP WELL.
- BACK FILL WITH NON-EXPANSIVE MATERIAL.
- FOLLOW ALL CURRENT ANSI / APSP / ICC GUIDELINES FOR RESIDENTIAL POOLS

IMPORTANT NOTES:

THIS DOCUMENT IS FOR ILLUSTRATIVE PURPOSES ONLY. THE DEALER OR CONTRACTOR WHO SELLS OR INSTALLS YOUR POOL IS AN INDEPENDENT CONTRACTOR AND IS NOT AN AGENT OF THE MANUFACTURER. THE CONSTRUCTION METHODS ILLUSTRATED HERE ARE SUGGESTIONS AND APPLY ONLY TO NORMAL GROUND CONDITIONS. THERE MAY BE ADDITIONAL PRECAUTIONS AND/OR METHODS OF CONSTRUCTION. PROPER INSTALLATION IS THE RESPONSIBILITY OF THE DEALER/BUILDER/CONTRACTOR.

ENGINEERING DRAWING NUMBER: 00017329	WEIGHT: 122207.460 lbs	UNLESS OTHERWISE SPECIFIED DIMENSIONS ARE IN INCHES TOLERANCES DECIMALS: X ± .1 XX ± .01 XXX ± .001 XXXX ± .0005 ANGULAR: X ± 0.5 THIRD ANGLE PROJECTION	DESIGNED BY: JBOSSEDET	CREATION DATE: 5/8/2014	HYDRA POOLS	
	VOLUME: 3382691.800 Inch³		DETAILED BY: RSANVICENTE	DETAILED DATE: 1/22/2018		
	COLOR: NA		LAST REVISED BY: hyeng	LAST REVISED DATE: 1/22/2018	TITLE: LAYOUT, 14' X 31' X 20', TRUE L, LEFT, 4' RADIUS, 6' DEEP, HS104N, LIGHT, 3- INLET, 2- 1084, 600 SERIES	
	HEAT TREAT: NA		MATERIAL: Water			
FINISH: NA			PART NUMBER: 00017329		SCALE: 1:72	SIZE: A
TEXTURE: NA					SHEET: 2 OF 3	



ENGINEERING DRAWING NUMBER: 00017329	WEIGHT: 140272.2 lbs	UNLESS OTHERWISE SPECIFIED DIMENSIONS ARE IN INCHES TOLERANCES DECIMALS: X ± .1 XX ± .01 XXX ± .001 XXXX ± .0005 ANGULAR: X ± 0.5 THIRD ANGLE PROJECTION 	DESIGNED BY: RCOLBOCH	CREATION DATE: 4/3/2013	HYDRA POOLS	
	VOLUME: Inch³		DETAILED BY: RSANVICENTE	DETAILED DATE: 1/22/2018		
	COLOR:		LAST REVISED BY: hyeng	LAST REVISED DATE: 1/22/2018		
	HEAT TREAT:		MATERIAL:		TITLE: LAYOUT, 14' X 31' X 20', TRUE L, LEFT, 4' RADIUS, 6' DEEP, HS104N, LIGHT, 3- INLET, 2- 1084, 600 SERIES	
	FINISH:		PART NUMBER:			
	TEXTURE:		00017329			
				SCALE: 1:72	SIZE: A	
				SHEET: 3 OF 3		